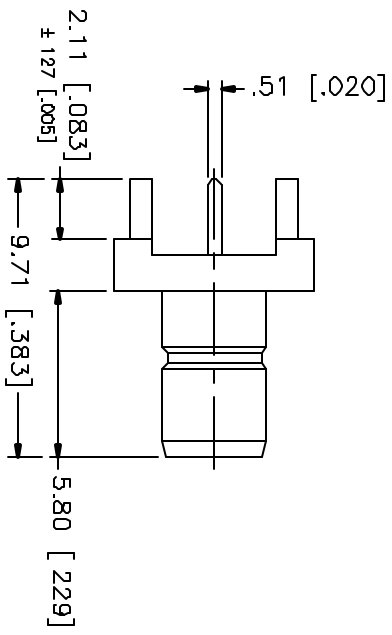
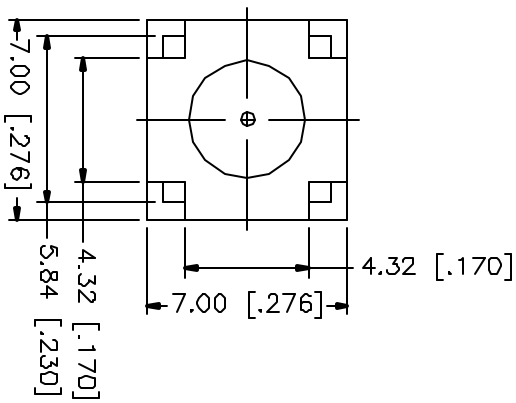
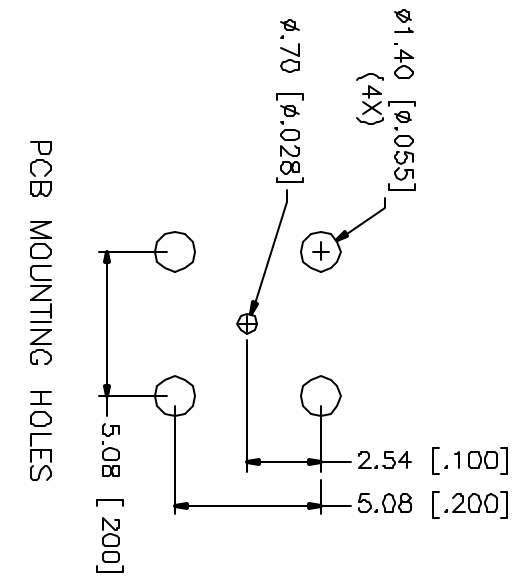


| REV. | DATE     | DESCRIPTION     |
|------|----------|-----------------|
| NC   | 11/13/01 | INITIAL RELEASE |



|   |             |          |         |   |  |  |  |              |  |  |  |          |  |  |  |   |  |  |  |
|---|-------------|----------|---------|---|--|--|--|--------------|--|--|--|----------|--|--|--|---|--|--|--|
| 8 |             |          |         |   |  |  |  |              |  |  |  |          |  |  |  |   |  |  |  |
| 7 |             |          |         |   |  |  |  |              |  |  |  |          |  |  |  |   |  |  |  |
| 6 |             |          |         |   |  |  |  |              |  |  |  |          |  |  |  |   |  |  |  |
| 5 |             |          |         |   |  |  |  |              |  |  |  |          |  |  |  |   |  |  |  |
| 4 |             |          |         |   |  |  |  |              |  |  |  |          |  |  |  |   |  |  |  |
| 3 | CONTACT PIN | BRASS    | GOLD    |   |  |  |  |              |  |  |  |          |  |  |  |   |  |  |  |
| 2 | INSULATOR   | TEFLON   | NATURAL |   |  |  |  |              |  |  |  |          |  |  |  |   |  |  |  |
| 1 | BODY        | BRASS    | GOLD    |   |  |  |  |              |  |  |  |          |  |  |  |   |  |  |  |
|   | DESCRIPTION | MATERIAL | FINISH  |   |  |  |  |              |  |  |  |          |  |  |  |   |  |  |  |
|   |             |          |         | UNLESS OTHERWISE SPECIFIED DIMENSIONS ARE IN MILLIMETERS  |  |  |  | APPROVALS    |  |  |  | DATE     |  |  |  | TITLE   |  |  |  |
|   |             |          |         | DIMENSIONS IN [ ] ARE IN INCHES FOR CUSTOMER REFERENCE ONLY   |  |  |  | DRAWN G.R.S. |  |  |  | 11/13/01 |  |  |  | SMB P.C. MOUNTING JACK - MINI 75ohm<br>(.083" LEGS) |  |  |  |
|   |             |          |         | UNLESS OTHERWISE SPECIFIED TOLERANCES FOR INCHES ARE:<br>.XXX = ± 0.005"<br>.XX = ± 0.010"<br>.X = ± 0.020" |  |  |  | CHECKED      |  |  |  | ISSUED   |  |  |  | SIZE A  |  |  |  |
|   |             |          |         | DO NOT SCALE DRAWING  |  |  |  |              |  |  |  |          |  |  |  | FSOM NO. 99001                                      |  |  |  |
|   |             |          |         |   |  |  |  |              |  |  |  |          |  |  |  | DWC NO. 142138-75-10                                |  |  |  |
|   |             |          |         |   |  |  |  |              |  |  |  |          |  |  |  | SCALE NA  |  |  |  |
|   |             |          |         |   |  |  |  |              |  |  |  |          |  |  |  | PART NO. 142138-75-10                               |  |  |  |
|   |             |          |         |   |  |  |  |              |  |  |  |          |  |  |  | SHEET 1 OF 1  |  |  |  |
|   |             |          |         |   |  |  |  |              |  |  |  |          |  |  |  | REV. NC   |  |  |  |

