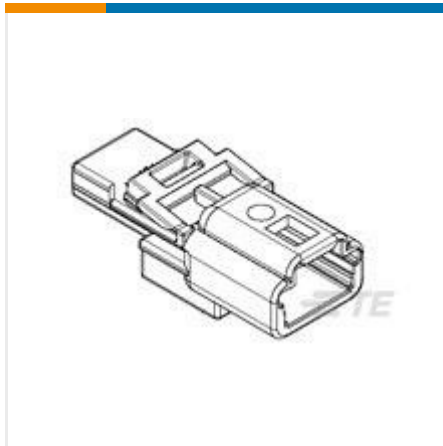




[CONNECTORS](#)

[CONNECTOR HOUSINGS](#)



✓ Active

TE CONNECTIVITY (TE)

4W TAB HSG CODING 2 GRAY

TH/.025 Connector System

1379674-2

TE Internal Number: 1379674-2

[EU RoHS Compliant](#)

[EU ELV Compliant](#)

Connector System Wire-to-Wire

Connector Style Housing for male terminals

Mating Tab Width .64 mm [.025 in]

Sealable No

Centerline (Pitch) (in) .087

[↓ PRODUCT DRAWING](#)
English

[↓ 3D PDF](#)

DOCUMENTATION

Product Drawings

025 TH 4 POS TAB HOUSING

PDF

English

CAD Files

3D PDF

PDF

3D

Customer View Model

2D_DXF.ZIP

English

Customer View Model

3D_IGS.ZIP

English

Customer View Model

3D_STP.ZIP

English

Product Specifications

Product Specification

CONNECTEURS TH PC-PL

PDF

English

Product Environmental Compliance

TE Material Declaration

MD_1379674-2_05042016453_dmtec

PDF

English

Instruction Sheets

Instruction Sheet (non U.S.)

CONNECTIQUE TH POUR RACCORDEMENT FIL-FIL

PDF

English

FEATURES



Please review product documents or [contact us](#) for the latest agency approval information.

Please Note: Use the Product Drawing for all design activity.

Product Type Features

Connector System Wire-to-Wire

Connector Style Housing for male terminals

Sealable No

Hybrid Connector No

Primary Locking Feature On the terminal

Strain Relief No

Configuration Features

Number of Rows 1

Electrical Characteristics

Nominal Voltage Architecture (V) 12

Operating Voltage (VDC) 14

Body Features

Color Gray
Cable Exit Angle 180°
Body Material PBT

Contact Features

Mating Tab Width .64 mm [.025 in]

Mechanical Attachment

Mounting Feature Yes
Terminal Position Assurance Yes
Polarized Yes

Housing Features

Centerline (Pitch) (in) .087
Pitch (mm) 2.2

Dimensions

Width 33.4 mm [1.315 in]
Height 11.75 mm [.463 in]
Length 14 mm [.551 in]

Usage Conditions

Operating Temperature (Max) (°C) 70, 75, 80, 85, 90, 100
Operating Temperature (Max) (°F) 158, 167, 176, 185, 194, 212

Operation/Application

Circuit Application Signal

Industry Standards

UL Flammability Rating UL 94-HB

Packaging Features

Packaging Method Box
Packaging Quantity 100

Other

Connector Position Assurance Capable No
Serviceable Yes

Statement of Compliance

Statement of Compliance

PDF