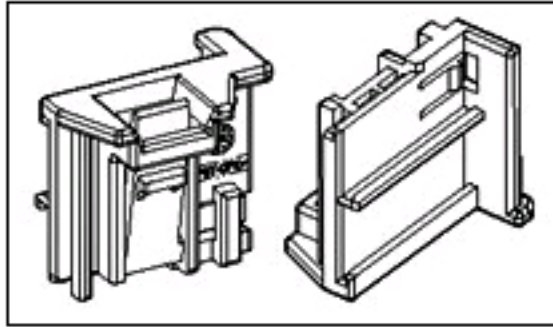


1355081-1 Product Details

[Share](#) |
 [Print](#) |
 [Email](#)



1355081-1

TE Internal Number: 1355081-1

[Active](#)

Micro-Power & Power Quadlok System

[Always EU RoHS/ELV Compliant \(Statement of Compliance\)](#)

Product Highlights:

- Accessory
- Accessory Type = Retainer
- 6 Positions
- RoHS compliant, ELV compliant
- Lead Free Solder Processes = Not relevant for lead free process

[View all Features](#)

Quick Links

- ▶ [Check Pricing & Availability](#)
- ▶ [Search for Tooling](#)
- ▶ [Product Feature Selector](#)
- ▶ [Contact Us About This Product](#)

[Add to My Part List](#) |
 [Request Sample](#) |
 [Find Similar Products](#) |
 [Buy Product](#)

Documentation & Additional Information	
<p>Product Drawings:</p> <ul style="list-style-type: none"> • None Available <p>Catalog Pages/Data Sheets:</p> <ul style="list-style-type: none"> • None Available <p>Product Specifications:</p> <ul style="list-style-type: none"> • None Available <p>Application Specifications:</p> <ul style="list-style-type: none"> • None Available <p>Instruction Sheets:</p> <ul style="list-style-type: none"> • None Available <p>CAD Files: (CAD Format & Compression Information)</p> <ul style="list-style-type: none"> • 2D Drawing (DXF, Version P0B2) • 3D Model (IGES, Version P0B2) • 3D Model (STEP, Version P0B2) 	<p>Additional Information:</p> <ul style="list-style-type: none"> • Product Line Information <p>Related Products:</p> <ul style="list-style-type: none"> • Tooling

[List all Documents](#)

Product Features (Please use the Product Drawing for all design activity)	
<p>Product Type Features:</p> <ul style="list-style-type: none"> • Product Type = Accessory • Accessory Type = Retainer • For Use With = Receptacle Housing, 1355082-X • Color = Black • Material = PBT-GF10 <p>Body Features:</p> <ul style="list-style-type: none"> • Number of Positions = 6 	<p>Industry Standards:</p> <ul style="list-style-type: none"> • RoHS/ELV Compliance = RoHS compliant, ELV compliant • Lead Free Solder Processes = Not relevant for lead free process • RoHS/ELV Compliance History = Always was RoHS compliant <p>Other:</p> <ul style="list-style-type: none"> • GET 0.64 Connector System = No • Brand = AMP

Corporate Information

- [Who We Are](#)
- [Investors](#)
- [News Room](#)
- [Supplier Portal](#)
- [Careers](#)

Quick Links

- [Check Distributor Inventory](#)
- [Cross Reference](#)
- [Find Documents & Drawings](#)
- [Product Compliance Support Center](#)
- [Site Map](#)

Customer Support

- [Email or Chat With Us](#)
- [Find a Phone Number](#)
- [Search Knowledge Base](#)
- [Manage your Account](#)

Keep Me Informed

Receive TE News, Events & Technology Updates

Enter your email address

