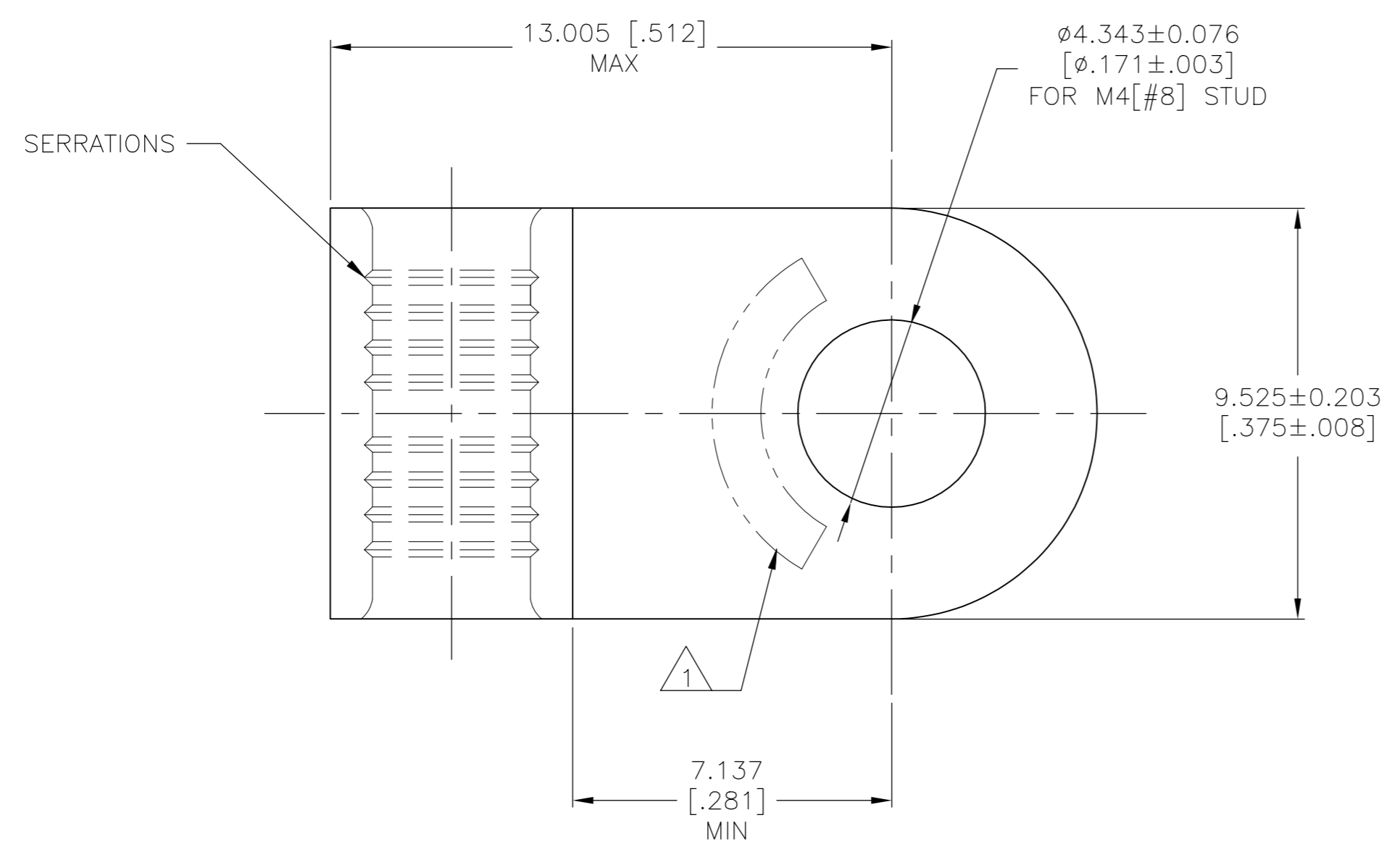


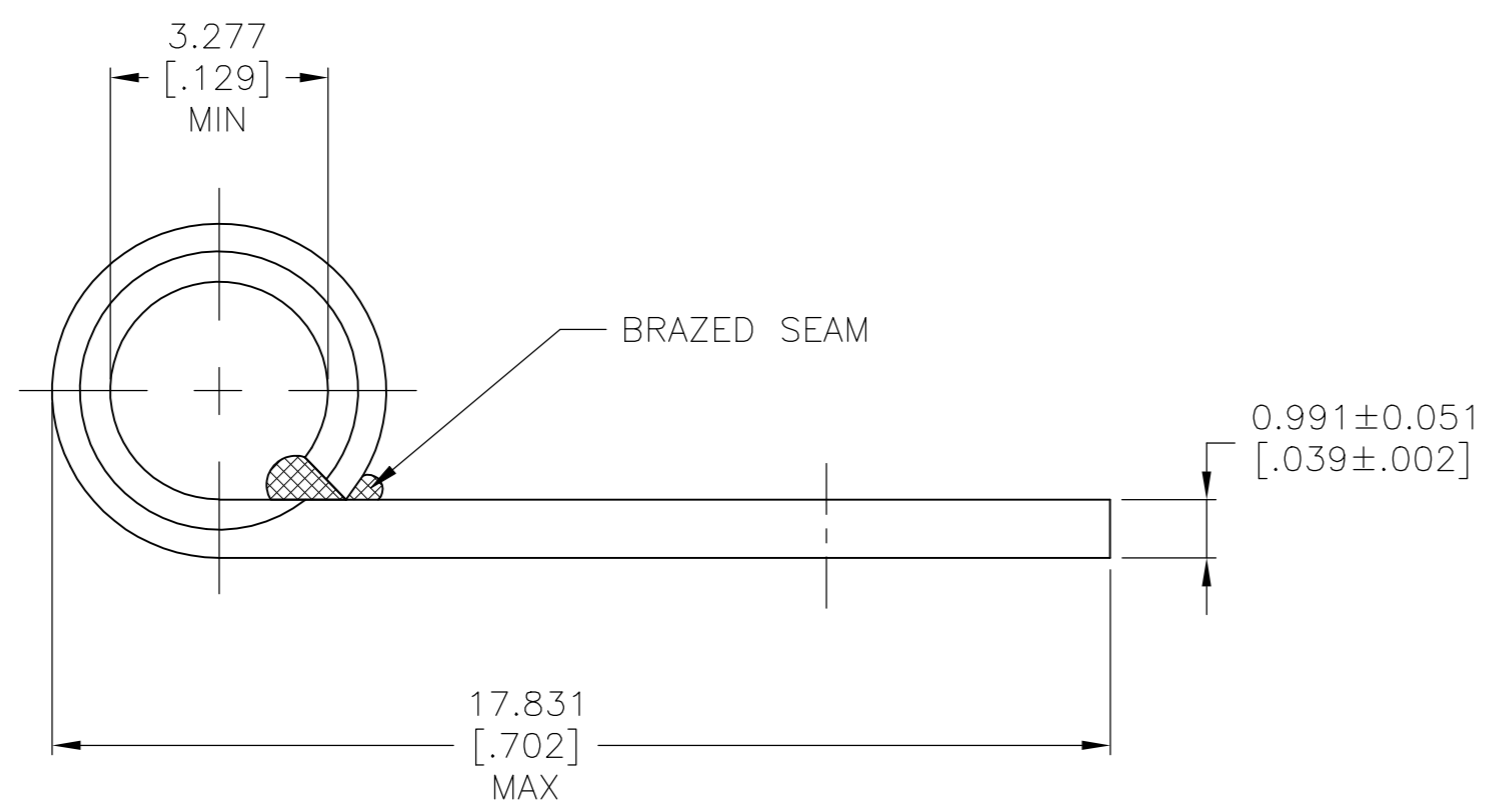
THIS DRAWING IS UNPUBLISHED. RELEASED FOR PUBLICATION
 © COPYRIGHT - TE Connectivity Ltd. ALL RIGHTS RESERVED.

REVISIONS					
P	LTR	DESCRIPTION	DATE	DWN	APVD
	B	TRANSFER ECOC	07/03	-	CA
	B1	REVISED PER ECO-18-002105	27FEB2018	RS	DR



AMP
 WIRE RANGE
 12-10 AWG
 SOLID OR STRANDED

- 1 STAMP AMP 12-10* APPROX AS SHOWN
- 2 MATERIAL: COPPER PER ASTM B152, ANNEALED
- 3 FINISH: NICKEL PLATE 0.00762[.000300] MIN
EXT THK PER SAE AMS QQ-N-290



PRELIMINARY	5000	BULK/BAG	132005-2
	500	LOOSE PIECE	132005-1
QUANTITY		PACKAGING TYPE	PART NO

AMP INCORPORATED CUSTOMER SERVICE SYSTEMS		
FOR ADDITIONAL PRODUCT INFORMATION OR COPIES OF DRAWINGS AND TECHNICAL DOCUMENTS	PRODUCT INFORMATION CENTER 1-800-522-6752	MAX RECOMMENDED OPERATING TEMPERATURE: 343°C [649°F] MAX
FOR APPLICATION	TOOLING ASSISTANCE CENTER 1-800-722-1111	VOLTAGE RATING: NOT APPLICABLE
TOOLING INFORMATION	1-800-722-1111	WIRE CROSS SECTIONAL AREA RANGE, 2.62-6.64mm²[5,180-13,100] CIR MILS SOLID OR STRANDED
FOR ORDER ENTRY	1-800-526-5142	

THIS DRAWING IS A CONTROLLED DOCUMENT.	
DIMENSIONS: mm [INCHES]	TOLERANCES UNLESS OTHERWISE SPECIFIED:
0 PLC ± -	1 PLC ± -
1 PLC ± -	2 PLC ± -
2 PLC ± -	3 PLC ± 0.127[.005]
3 PLC ± -	4 PLC ± -
4 PLC ± -	ANGLES ± 5°
MATERIAL	FINISH
2	3

DWN RAVI S 27FEB2018	TE Connectivity Ltd.	
CHK ROHDE DANIEL F 27FEB2018	NAME TERMINAL, STRATO-THERM, HR, FLAG 12-10 AWG	
APVD ROHDE DANIEL F 27FEB2018	SIZE A2	CAGE CODE 00779
PRODUCT SPEC	DRAWING NO 132005	RESTRICTED TO -
APPLICATION SPEC	SCALE 8:1	SHEET 1 of 1
WEIGHT	CUSTOMER DRAWING	REV B1