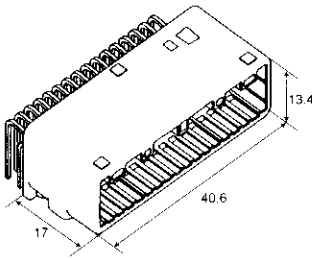
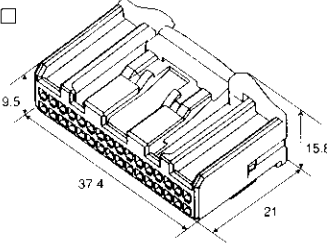
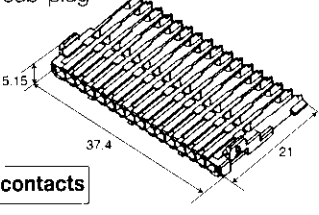
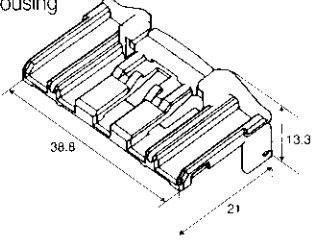
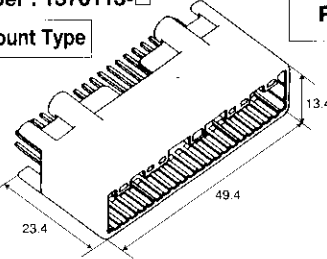
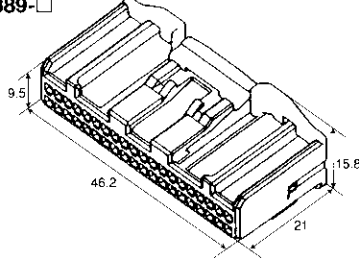
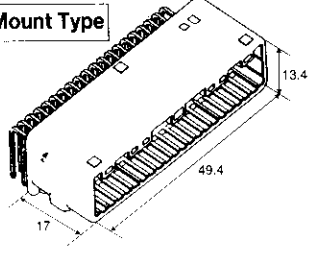
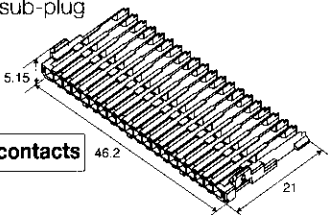
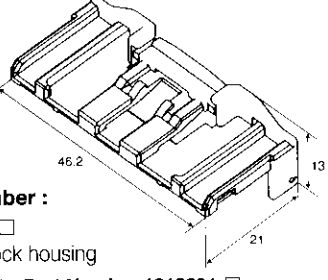
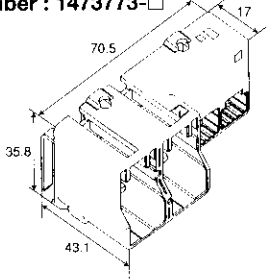
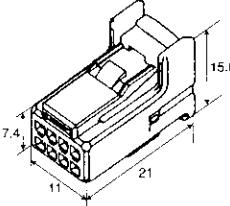
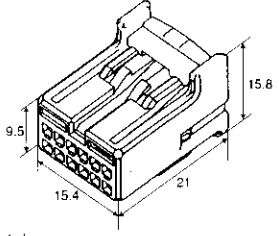


.025 (0.64) series connectors Wire to Board Applications

CAP		Plug	
<p>Part Number : 1318745-□ Horizontal Mount Type</p>  <p>Dimensions: 17, 40.6, 13.4</p>	<p>32 Pos.</p> <p>Part Number : 1318747-□ For crimping contacts</p>  <p>Dimensions: 9.5, 37.4, 15.8, 21</p>		
	<p>Part Number : 1473805-□ Needs 2 sub-plug For IDC contacts</p>  <p>Dimensions: 5.15, 37.4, 21</p>	<p>Part Number : 1473806-□ Needs 1 lock housing</p>  <p>Dimensions: 38.8, 13.3, 21</p>	
<p>Part Number : 1376113-□ Vertical Mount Type</p>  <p>Dimensions: 23.4, 49.4, 13.4</p>	<p>40 Pos.</p> <p>Part Number : 1318389-□ For crimping contacts</p>  <p>Dimensions: 9.5, 46.2, 15.8, 21</p>		
<p>Part Number : 1318384-□ Horizontal Mount Type</p>  <p>Dimensions: 17, 49.4, 13.4</p>	<p>Part Number : 1318693-□ Needs 2 sub-plug For IDC contacts</p>  <p>Dimensions: 5.15, 46.2, 21</p>	<p>Part Number : 1318695-□ Needs 1 lock housing</p>  <p>Dimensions: 46.2, 13, 21</p>	

*Housing assemblies with pre-loaded IDC contacts are also available. Part Number: 1318691-□

■ Wire to Board Applications .025 (0.64)/.375 (9.5)

CAP		Plug	
<p>Part Number : 1473773-□</p>  <p>Dimensions: 17, 70.5, 35.8, 43.1</p>	<p>32 Pos.</p> <p>8Pos. Part Number : 1376352-□</p>  <p>Dimensions: 15.8, 7.4, 11, 21</p>	<p>12Pos. Part Number : 1565287-□</p>  <p>Dimensions: 15.8, 9.5, 15.4, 21</p>	

*As to the .375 plug and receptacle contacts, please inquire separately.

*The material is PBT for caps and crimping contact plug housings and PBT with glass fibers for IDC contact housing.

*The figures in □ vary according to housing color, etc.