

# Data sheet

## C6<sub>A</sub>modul 180° jack

Page 1/7

P/N  
130B11-E

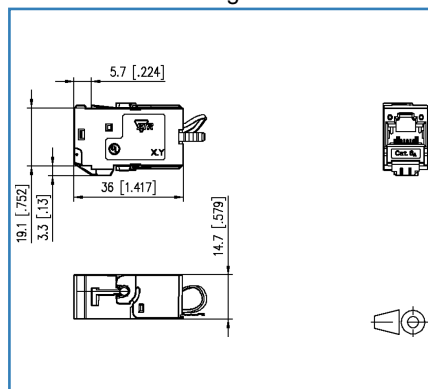
EAN 4250184132646

2017-12-06

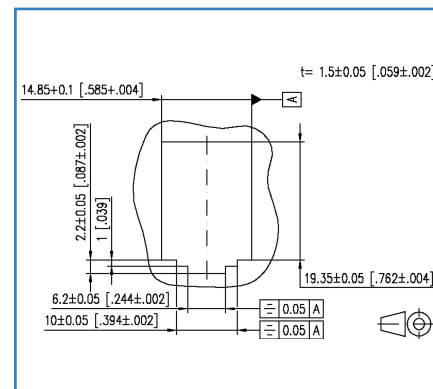
### Illustrations



Dimensional drawing



Cut-out



See enlarged drawings at the end of document



### Product specification

- modular Cat.6<sub>A</sub> termination unit RJ45
- mounting version: module, 180° cable feed
- solid, one-piece and reusable module housing refined with zinc die-casting
- mounting without special tools; strain relief directly snapped on to stuffer cap
- easy to install connection of data lines AWG 26/1 to 22/1 (solid wire) and AWG 26/7 to 22/7 (stranded wire) to insulation displacement connectors (IDC)
- intelligent cable management in stuffer cap - also suitable for heavily twisted cables
- conductor assignment to T568A and T568B is directly printed on the stuffer cap
- certified to GHMT Cat.6<sub>A</sub> re-embedded PVP
- component testing for Cat.6<sub>A</sub> to ISO/IEC 11801 Ed.2.2:2011-06, DIN EN 50173-1:2011-09, TIA/EIA-568-C.2 (2009-08) and IEC 60603-7-51 Ed.1 (12/2008), certified to GHMT
- compliance with class E<sub>A</sub> up to 500 MHz to ISO/IEC 11801 Ed.2.2:2011-06, DIN EN 50173-1:2011-09
- tested: component up to 600 MHz, link up to 800 MHz
- suitable for 10 GBit Ethernet (IEEE 802.3an), Remote Powering (PoE, PoE plus and UPoE) and HDBaseT

### Technical Data

#### General Data

Design	Jack
Shielding	shielded
Transmission technology	Copper
Wiring	T568A, T568B
Color	metallike
Dimensions	
Dimension (L x W x H)	36.00 x 14.7 x 22.40 mm
Dimension (L x W x H)	1.417 x 0.579 x 0.882 in.
Modularity	yes
Field assembly ability	yes
Labeling option	on housing
Marking option	by latching clip

#### Transmission characteristics

Category (ISO)	6 <sub>A</sub>
Class (ISO/IEC)	E <sub>A</sub>
Category (TIA)	6A
Remote Powering	yes
PoE	IEEE 802.3af
PoE plus	IEEE 802.3at
UPoE	yes
HDBaseT	yes
Transmission rate up to 10 GBit	IEEE 802.3an

#### Connections/interfaces

Connector technology interface 1	IDC-connection
Connector technology interface 2	RJ45-jack
Number of ports interface 2	1
Number of ports interface 2 equipped	1
Number of positions/contacts interface 1	8
Number of positions/contacts interface 2	8P/8C



### Technical Data

#### Connections/interfaces

Termination data, solid wire (min. - max.)

Conductor cross section, solid wire	AWG 26/1 - 22/1
Conductor cross section, solid wire	0.128 - 0.324 mm <sup>2</sup>
Conductor diameter, solid wire (bare copper)	0.409 - 0.643 mm
Conductor diameter, solid wire (bare copper)	0.016 - 0.025 in.

Termination data, stranded wire (min. - max.)

Conductor cross section, stranded wire	AWG 26/7 - 22/7
Conductor cross section, stranded wire	0.141 - 0.355 mm <sup>2</sup>
Conductor diameter, stranded wire (bare copper)	0.483 - 0.762 mm
Conductor diameter, stranded wire (bare copper)	0.019 - 0.030 in.

Cable sheath diameter (min. - max.)

Cable sheath diameter	5.5 - 10.00 mm
Cable sheath diameter	0.197 - 0.394 in.

Cable access/outlet	180°
---------------------	------

#### Electrical characteristics

Current carrying capacity	max. 1 A
Rated voltage	max. 50 V
Contact resistance	max. 20 mOhm
Through resistance	max. 200 mOhm
Insulation resistance	min. 500 MOhm
Dielectric strength conductor-conductor (secondary)	max. 1000 V DC

#### Mechanical characteristics

Cut-out	Modul
Mounting method	snap-in function
Insertion and withdrawal force	max. 30 N
Position/mounting of latch - standard installation position	top
strain relief	latching clip



### Technical Data


#### Materials and material properties

Material - Housing	GD-Zn (zinc die-cast)
Material - Contact	Spring steel
Material - Contact finish	Au (gold)
Material - Shield	GD-Zn (zinc die-cast)
Material - Stuffer cap	PA 6.6 UL94 V0
Material - Strain relief	PA 6.6 UL94 V0
Material - Finish	Ni (nickel)

#### Environmental conditions

Rapid change of temperature	-40°C / -40°F - +70°C / 158°F / 25 cycles t=30 min
Electromagnetic measurement	E <sub>2</sub>

#### Certifications

GHMT Component	
GHMT component - Validity period	28.02.2019
GHMT PVP	
GHMT PVP - Period of validity	31.08.2017

#### Approvals

CE	compliant
RoHS	compliant
UL listed (file no.)	 DUXR.E178484 US LISTED



### Technical Data

#### The product meets the following standards

##### Generic cabling systems

General requirements	ISO/IEC 11801 Ed.2.2: 2011-06   DIN EN 50173-1: 2011-09 TIA/EIA 568-C
Office buildings	ISO/IEC 11801 Ed.2.2: 2011-06   DIN EN 50173-2: 2011-09 TIA/EIA 568-C
Living units	ISO/IEC 15018   DIN EN 50173-4: 2011-09 TIA/EIA 570-B

##### Connectors for electronic equipment

Free and fixed connectors	DIN EN 60603-7-51:2011-01
---------------------------	---------------------------

##### Connectors for electronic equipment - Tests and measurements

Test schedule for connectors	DIN-EN 60512-99-001: 02-2013, Pg. UEL1
Endurance tests	IEC 60512-9-3: 03-2009

##### Interference proof

Immunity for industrial environments	DIN EN 61000-6-2:2006-03
--------------------------------------	--------------------------

##### Emission proof

Electromagnetic emission for residential, commercial and light-industrial environments	DIN EN 61000-6-3:2011-09
--	--------------------------

Climate tests	IEC 60512-11
---------------	--------------

#### Classifications

ETIM 5.0	EC001121
ETIM 6.0	EC001121

#### Packing details

Type of packaging	10 pc(s) / box
Packaging unit - Weight (gram)	430.00 g
Packaging unit - Weight (pound)	0.95 lb
Packaging dimension (W x H x D)	247.00 x 161.00 x 58.00 mm
Packaging dimension (W x H x D)	9.724 x 6.339 x 2.283 in.



Data sheet

## C6<sub>A</sub>modul 180° jack

Page 6/7

P/N

130B11-E

EAN 4250184132646

2017-12-06

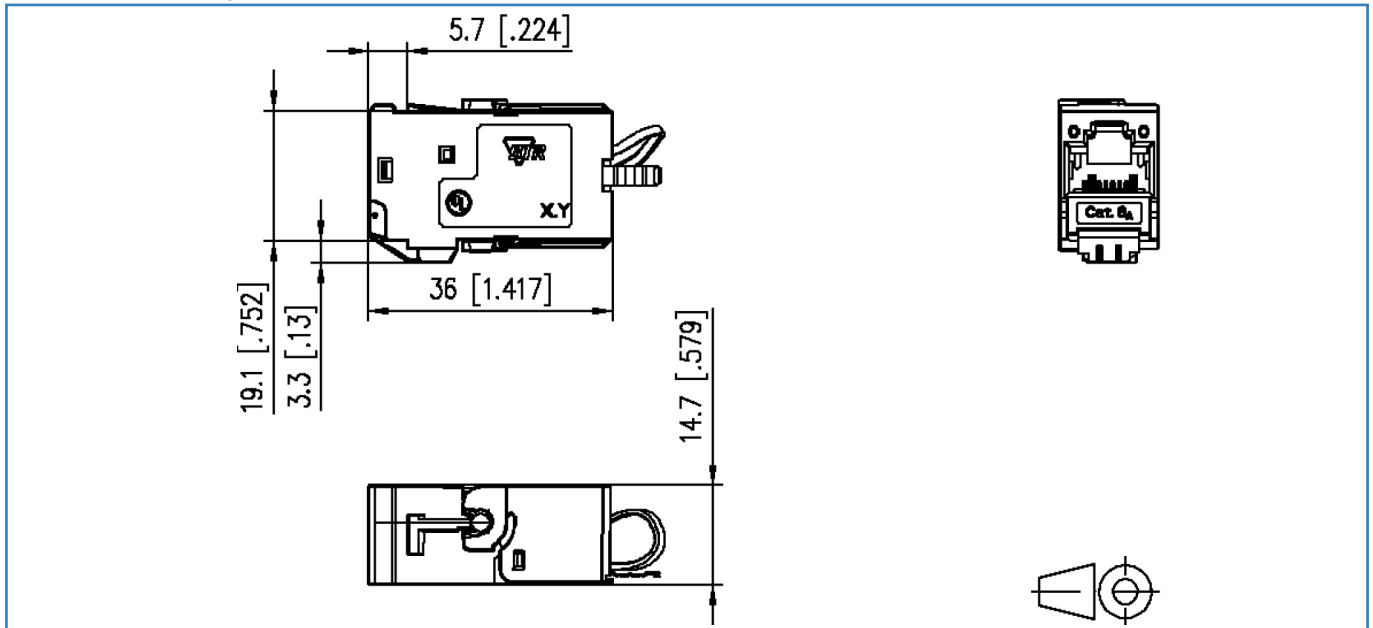
### Accessories

P/N	Designation
820032-0129-I	Dust protection cover for C6 <sub>A</sub> modul black
820032-0103-I	Dust protection cover for C6 <sub>A</sub> modul light gray
820032-0105-I	Dust protection cover for C6 <sub>A</sub> modul yellow
820032-0106-I	Dust protection cover for C6 <sub>A</sub> modul blue
820032-0107-I	Dust protection cover for C6 <sub>A</sub> modul green
820032-0108-I	Dust protection cover for C6 <sub>A</sub> modul red
820032-0102-I	Dust protection cover for C6 <sub>A</sub> modul pure white



### Illustrations

Dimensional drawing



Cut-out

