

Print and SMD Switch 6x6



LSH: Gullwing, variable height



LPH: Through hole, variable height



LPS: Through hole, square



LPV: Through hole, angled

See below:

Approvals and Compliances

Description

- Switches are possible with different heights
- Design 6x6 mm Through hole or SMD mounting
- Solder terminals

Unique Selling Proposition

- Reliable tactile feedback on input
- Simple assembly
- Long life time

Weblinks

[pdf data sheet](#), [html datasheet](#), [General Product Information](#), [CAD-Drawings](#), [Product News](#), [Detailed request for product](#)

Technical Data

Electrical Data

| | |
|--------------------|--|
| Switching Voltage | 12 VDC |
| Switching Current | 50 mA |
| Lifetime | > 10 ⁵ actuations at Rated Switching Capacity |
| Contact Resistance | max. 100 mΩ max. 100 mΩ after lifetime |
| Duration of Bounce | typ. 0.1 ms |

Mechanical Data

| | |
|-------------------|------------------------------|
| Actuating Force | 1.6 ± 0.5 N |
| Actuating Travel | 0.25 + 0.2 / -0.1 mm |
| End Stop Strength | 50 N / 3 s |
| Lifetime | > 10 ⁵ actuations |

Climatical Data

| | |
|-----------------------|-----------------|
| Operating Temperature | -20 °C to 70 °C |
| Storage Temperature | -30 °C to 85 °C |
| IP-Protection | IP40 |

Soldering Data

| | |
|------------------------------|--|
| Soldering Methods | Reflow |
| Solderability | 245 °C / 5 sec (IEC 60068-2-58 Test Td) |
| Resistance to Soldering Heat | 260 °C / 10 sec (IEC 60068-2-58 Test Td) |

Material

| | |
|-----------|------------------|
| Terminals | CuZn37 0.7 μm Ag |
| Socket | UL 94V-0 |
| Actuator | UL 94V-0 |

Approvals and Compliances

Detailed information on product approvals, code requirements, usage instructions and detailed test conditions can be looked up in [Details about Approvals](#)

SCHURTER products are designed for use in industrial environments. They have approvals from independent testing bodies according to national and international standards. Products with specific characteristics and requirements such as required in the automotive sector according to IATF 16949, medical technology according to ISO 13485 or in the aerospace industry can be offered exclusively with customer-specific, individual agreements by SCHURTER.

Application standards

Application standards where the product can be used

| Organization | Design | Standard | Description |
|--------------|--------------------------------|----------------|--|
| | Designed for applications acc. | IEC/UL 62368-1 | IEC 62368-1 includes the basic requirements for safety of audio, video, information technology and office equipment. |

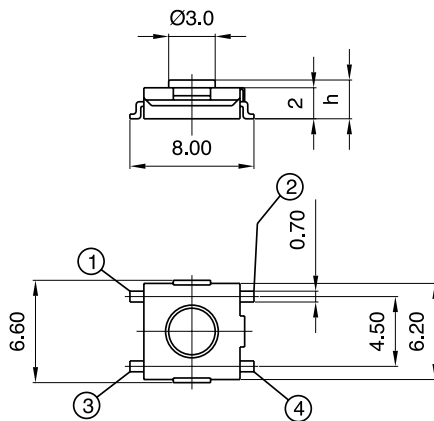
Compliances

The product complies with following Guide Lines

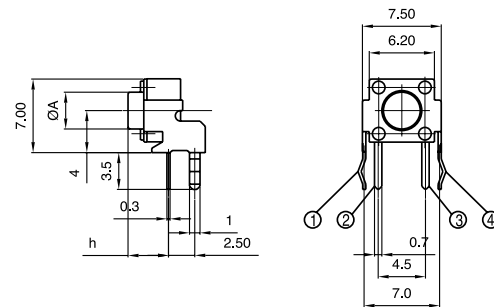
| Identification | Details | Initiator | Description |
|--|------------|-------------|---|
|  | RoHS | SCHURTER AG | Directive RoHS 2011/65/EU, Amendment (EU) 2015/863 |
|  | China RoHS | SCHURTER AG | The law SJ / T 11363-2006 (China RoHS) has been in force since 1 March 2007. It is similar to the EU directive RoHS. |
|  | REACH | SCHURTER AG | On 1 June 2007, Regulation (EC) No 1907/2006 on the Registration, Evaluation, Authorization and Restriction of Chemicals 1 (abbreviated as "REACH") entered into force. |

Dimension [mm]

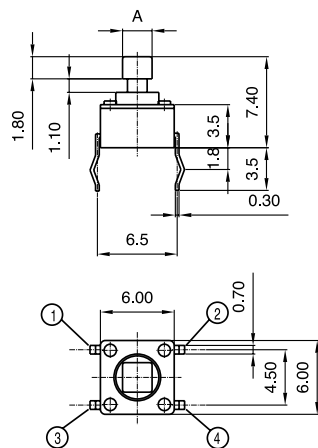
LSG Gullwing basic module



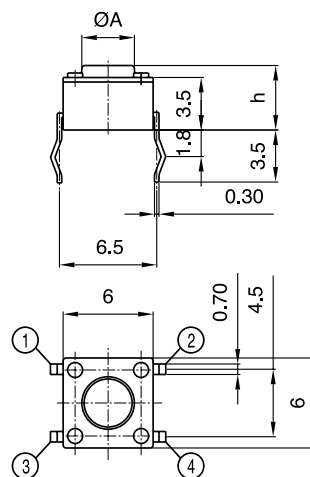
LPV PCB basic module



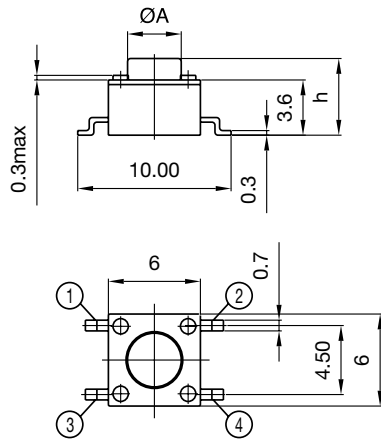
LPS PCB basic module



LPH PCB basic module



LSH Gullwing basic module



Drilling diagrams

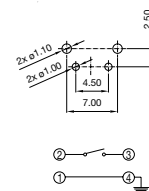
LPH / LPS PCB lead



LPV PCB lead: 1301.9501,
1301.9502



LPV PCB lead: 1301.9503



LSG: Gullwing



LSH Gullwing lead



All Variants

| Type | Terminal | Type | Actuator \varnothing A / Overall height | Packaging | Order Number |
|------|--------------|--------------------------|---|------------------------------------|------------------------------|
| LPH | Through hole | Height variable | 12.50 mm | loose in boxes(2000 pcs.) | 1301.9307 |
| LPH | Through hole | Height variable | 4.30 mm | loose in boxes(2000 pcs.) | 1301.9301 |
| LPH | Through hole | Height variable | 5.00 mm | loose in boxes(2000 pcs.) | 1301.9302 |
| LPH | Through hole | Height variable | 7.00 mm | loose in boxes(2000 pcs.) | 1301.9303 |
| LPH | Through hole | Height variable | 7.30 mm | loose in boxes(2000 pcs.) | 1301.9304 |
| LPH | Through hole | Height variable | 8.00 mm | loose in boxes(2000 pcs.) | 1301.9305 |
| LPH | Through hole | Height variable | 9.50 mm | loose in boxes(2000 pcs.) | 1301.9306 |
| LPS | Through hole | square 2.40 mm x 2.40 mm | - | loose in boxes(2000 pcs.) | 1301.9308 |
| LPS | Through hole | square 2.80 mm x 2.80 mm | - | loose in boxes(2000 pcs.) | 1301.9309 |
| LPV | Through hole | angled | 11.35 mm | loose in boxes(2000 pcs.) | 1301.9502 |
| LPV | Through hole | angled | 3.85 mm | loose in boxes(1000 pcs.) | 1301.9501 |
| LPV | Through hole | angled | 6.15 mm | loose in boxes(2000 pcs.) | 1301.9503 |
| LSG | Gullwing | - | 3.10 mm | Blister Tape 33 cm Reel(1500 pcs.) | 1301.9324.25 |
| LSH | Gullwing | Height variable | 12.50 mm | Blister Tape 33 cm Reel(250 pcs.) | 1301.9320.24 |
| LSH | Gullwing | Height variable | 12.50 mm | loose in boxes(2000 pcs.) | 1301.9320 |
| LSH | Gullwing | Height variable | 4.30 mm | Blister Tape 33 cm Reel(1000 pcs.) | 1301.9314.24 |

| Type | Terminal | Type | Actuator \varnothing A / Overall height | Packaging | Order Number | |
|------|----------|-----------------|---|------------------------------------|--------------|---|
| LSH | Gullwing | Height variable | 4.30 mm | loose in boxes(2000 pcs.) | 1301.9314 | ■ |
| LSH | Gullwing | Height variable | 5.00 mm | Blister Tape 33 cm Reel(1000 pcs.) | 1301.9315.24 | ■ |
| LSH | Gullwing | Height variable | 5.00 mm | loose in boxes(2000 pcs.) | 1301.9315 | ■ |
| LSH | Gullwing | Height variable | 7.00 mm | Blister Tape 33 cm Reel(750 pcs.) | 1301.9316.24 | ■ |
| LSH | Gullwing | Height variable | 7.00 mm | loose in boxes(2000 pcs.) | 1301.9316 | ■ |
| LSH | Gullwing | Height variable | 7.30 mm | Blister Tape 33 cm Reel(750 pcs.) | 1301.9317.24 | ■ |
| LSH | Gullwing | Height variable | 7.30 mm | loose in boxes(2000 pcs.) | 1301.9317 | ■ |
| LSH | Gullwing | Height variable | 8.00 mm | Blister Tape 33 cm Reel(500 pcs.) | 1301.9318.24 | ■ |
| LSH | Gullwing | Height variable | 8.00 mm | loose in boxes(2000 pcs.) | 1301.9318 | ■ |
| LSH | Gullwing | Height variable | 9.50 mm | Blister Tape 33 cm Reel(400 pcs.) | 1301.9319.24 | ■ |
| LSH | Gullwing | Height variable | 9.50 mm | loose in boxes(2000 pcs.) | 1301.9319 | ■ |

■ Most Popular.

Availability for all products can be searched real-time:<https://www.schurter.com/en/Stock-Check/Stock-Check-SCHURTER>