

[Find by Feature](#)
[Browse by Category](#)
[Share](#)
 [Search →](#)

Enter part number or keyword

[Search Results \(0\)](#)
[Search Options](#)

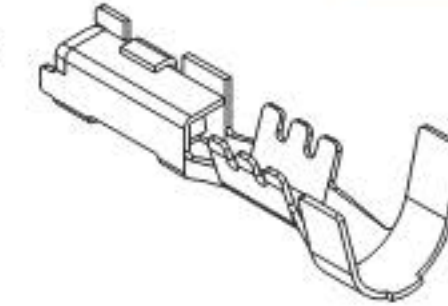
Select a product type to narrow your search:

Results with your selections: --

[Clear](#)
[Search →](#)

Female Metri-Pack 150 Tin Plated Terminal, Cable Range 1.00 - 0.80 mm², Cable Insulation Range 2.80 - 2.03 mm

Part #12176636



Question about this product?

[Attributes](#)
[Documents \(7\)](#)
[Related Products \(1\)](#)

Part #:	12176636
Description:	Female Metri-Pack 150 Tin Plated Terminal, Cable Range 1.00 - 0.80 mm ² , Cable Insulation Range 2.80 - 2.03 mm
Product Type:	Terminal
Status:	Active
Blade size [mm]:	1.5
Terminal family:	Metri-Pack
Series:	150
Gender:	Female
Sealed:	Sealed
Plating:	Tin
Minimum Cable Core Cross Section [mm²]:	0.80
Maximum Cable Core Cross Section [mm²]:	1.00
Minimum Cable Diameter [mm]:	2.03
Maximum Cable Diameter [mm]:	2.80
Current range [A]:	14