

[Find by Feature](#)[Browse by Category](#)[Share](#) [Search →](#)

Enter part number or keyword

[Search Results \(0\)](#)[Search Options](#)

Select a product type to narrow your search:

Results with your selections: --

Family ▼

Cavities ▼

Gender ▼

Sealed ▼

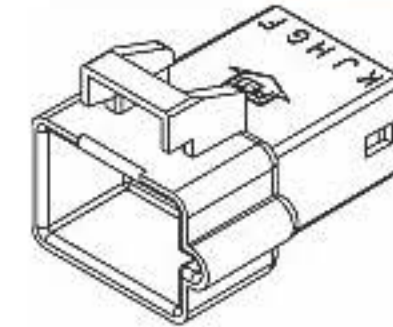
Terminal(s) blade size [mm] ▼

Product Segment ▼

Application ▼

[Clear](#)[Search →](#)

## 10 Way Cream Metri-Pack 150 Unsealed Male Connector, Max Current 14 amps Part #12064770

[Question about this product?](#)[Attributes](#)[Documents \(7\)](#)[Related Products \(7\)](#)

<b>Part #:</b>	12064770
<b>Description:</b>	10 Way Cream Metri-Pack 150 Unsealed Male Connector, Max Current 14 amps
<b>Product Type:</b>	Connector
<b>Status:</b>	Active
<b>Family:</b>	Metri-Pack
<b>Series:</b>	1.5
<b>Cavities:</b>	10
<b>Terminal(s) blade size [mm]:</b>	1.5
<b>Sealed:</b>	Unsealed
<b>Gender:</b>	Male
<b>Temperature range [°C]:</b>	-40 to 125
<b>Material:</b>	Nylon
<b>Weight [g]:</b>	4.72
<b>Color:</b>	Cream
<b>ELV compliant:</b>	Yes
<b>RoHs compliant:</b>	Yes