

[Find by Feature](#)
[Browse by Category](#)
[Share](#)

[Search →](#)

Enter part number or keyword

[Search Results \(0\)](#)
[Search Options](#)

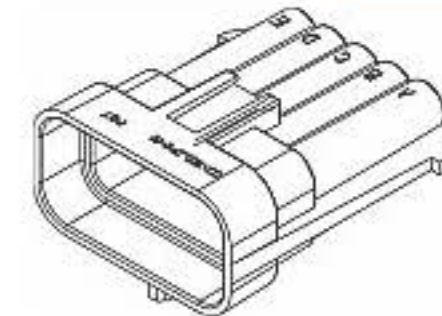
Select a product type to narrow your search:

Results with your selections: --

- Family ▼
- Cavities ▼
- Gender ▼
- Sealed ▼
- Terminal(s) blade size [mm] ▼
- Product Segment ▼
- Application ▼

[Clear](#) [Search →](#)

10 Way Black Metri-Pack 150 Sealed Male Connector, Max Current 14 amps Part #12045808



Question about this product?

[Attributes](#)
[Documents \(8\)](#)
[Related Products \(39\)](#)

Part #:	12045808
Description:	10 Way Black Metri-Pack 150 Sealed Male Connector, Max Current 14 amps
Product Type:	Connector
Status:	Active
Family:	Metri-Pack
Series:	1.5
Cavities:	10
Terminal(s) blade size [mm]:	1.5
Sealed:	Sealed
Gender:	Male
Temperature range [°C]:	-40 to 125
Material:	PBT
Weight [g]:	15.14
Color:	Black
ELV compliant:	Yes
RoHs compliant:	Yes