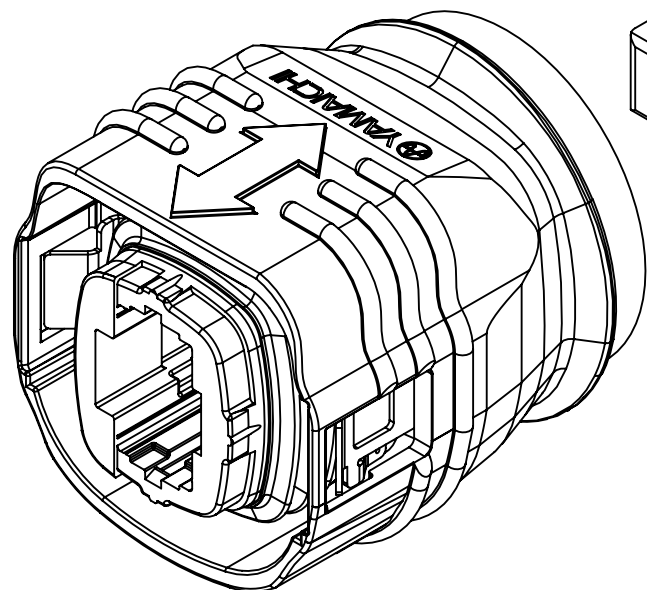
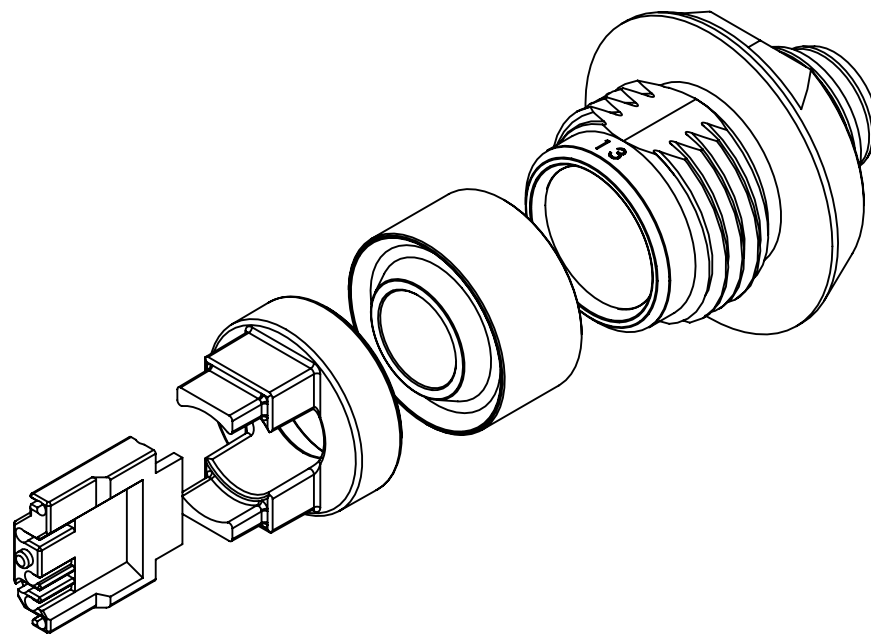


Y-Con Plug-21  
4 signal contacts  
2 power contacts



For more technical data see drawings  
82-00806 (Customer-P3021A33) and  
82-00053 (Customer-P(090)A11)

100%	Critical Dimensions to be inspected 100%.	<b>CONFIDENTIAL</b>	<b>Customer Drawing</b>														
	Critical Dimensions.		RoHS compliant acc. to directive 2011/65/EU														
<SPC>	Critical Dimensions. To determine Cmk & Cpk.		Specification/Drawing subject to alteration without prior notice.														
UNLESS OTHERWISE SPECIFIED : DIMENSIONS ARE IN MILLIMETERS		<table border="1"> <thead> <tr> <th>REVISION DESCRIPTION</th> <th>ID</th> <th>REV.</th> <th>DATE</th> </tr> </thead> <tbody> <tr> <td> </td> <td> </td> <td> </td> <td> </td> </tr> </tbody> </table>		REVISION DESCRIPTION	ID	REV.	DATE					The information contained in this drawing is the sole property of YAMAICHI ELECTRONICS DEUTSCHLAND GMBH. Any reproduction in part or whole without the written permission of YAMAICHI ELECTRONICS DEUTSCHLAND GMBH is prohibited.					
REVISION DESCRIPTION	ID	REV.	DATE														
TOLERANCES:				Description: IP67 EMI RJ45 Field Kit with Y-ConCover-40-PP, Y-ConPlug-21													
ORDER / ARTICLE NO. 82-00735		DO NOT SCALE DRAWING		Purchase No.: Y-CONKIT-COV-40-PP-PL-21													
		<table border="1"> <thead> <tr> <th></th> <th>ID</th> <th>DATE</th> </tr> </thead> <tbody> <tr> <td>CREATED</td> <td>M161</td> <td>27.04.2021</td> </tr> <tr> <td>MODIFIED</td> <td>M161</td> <td>26.10.2021</td> </tr> <tr> <td>RELEASED</td> <td>M189</td> <td>26.10.2021</td> </tr> </tbody> </table>			ID	DATE	CREATED	M161	27.04.2021	MODIFIED	M161	26.10.2021	RELEASED	M189	26.10.2021	Drawing No.: Customer-P3021A40	
	ID	DATE															
CREATED	M161	27.04.2021															
MODIFIED	M161	26.10.2021															
RELEASED	M189	26.10.2021															
WEIGHT:		SUBREV01		REVISION: 001													
		SCALE: 1:2		SHEET 1 OF 1													
		DIN A3 - ASSEMBLY															

Yamaichi acts with all markings of the product exclusively on behalf of the customer as service provider and not as distributor. Yamaichi is not aware of the customer's end use/application. The customer indemnifies Yamaichi from any liability towards third parties in connection with the marking - with the exception of the legal exclusions of liability according to § 309 No. 7 BGB.

# Mouser Electronics

Authorized Distributor

Click to View Pricing, Inventory, Delivery & Lifecycle Information:

[Yamaichi Electronics:](#)

[Y-CONKIT-COV-40-PP-PL-21](#)