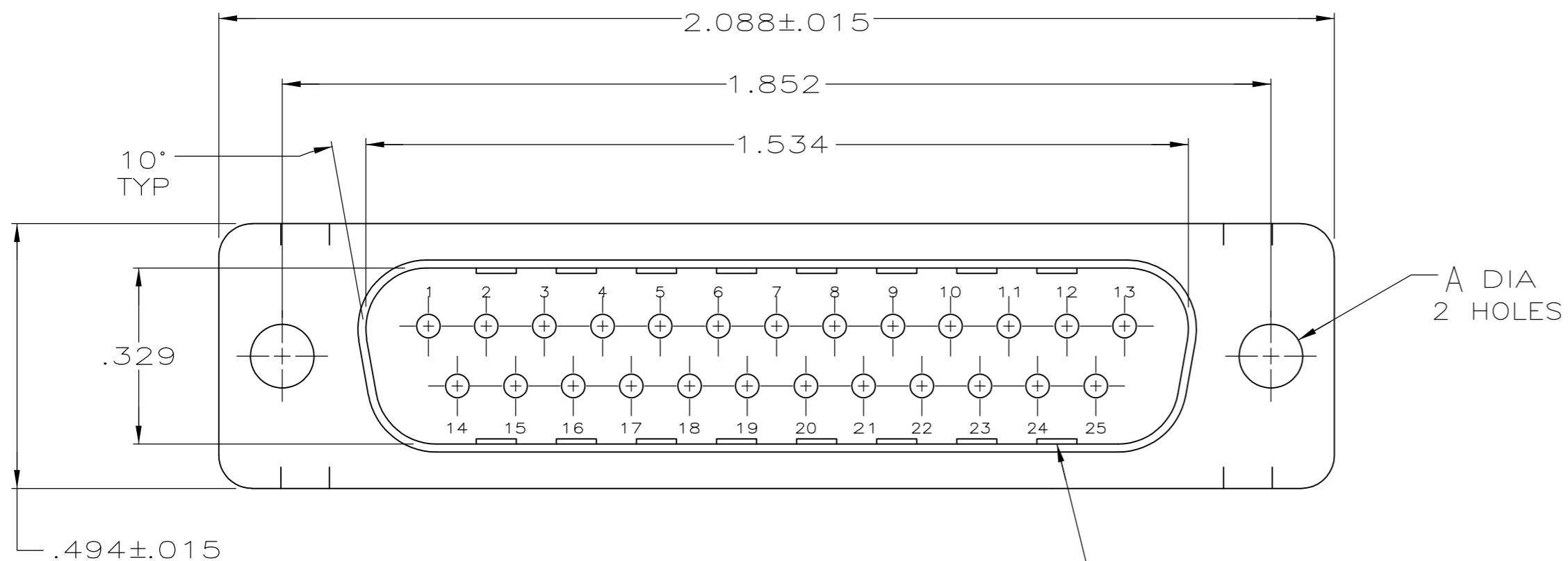


THIS DRAWING IS UNPUBLISHED. RELEASED FOR PUBLICATION  
 © COPYRIGHT - By - ALL RIGHTS RESERVED.

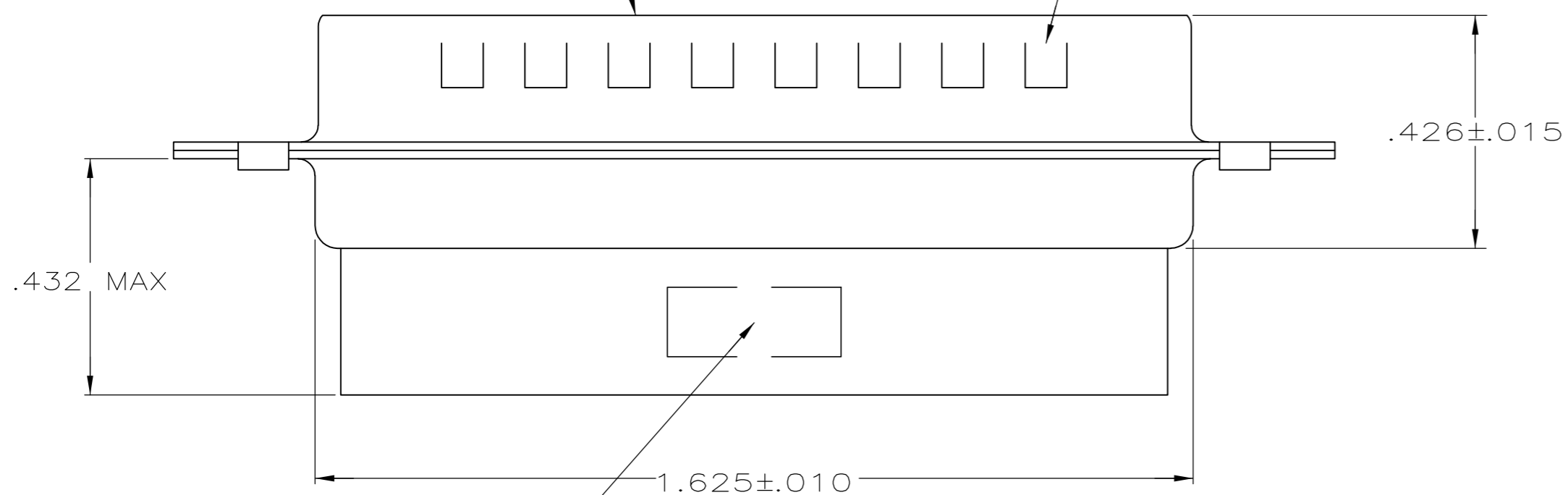
LOC		DIST		REVISIONS			
P	LTR	DESCRIPTION		DATE	DWN	APVD	
GP	00	J		REVISED PER ECO-14-011808	09AUG2014	AP	SB



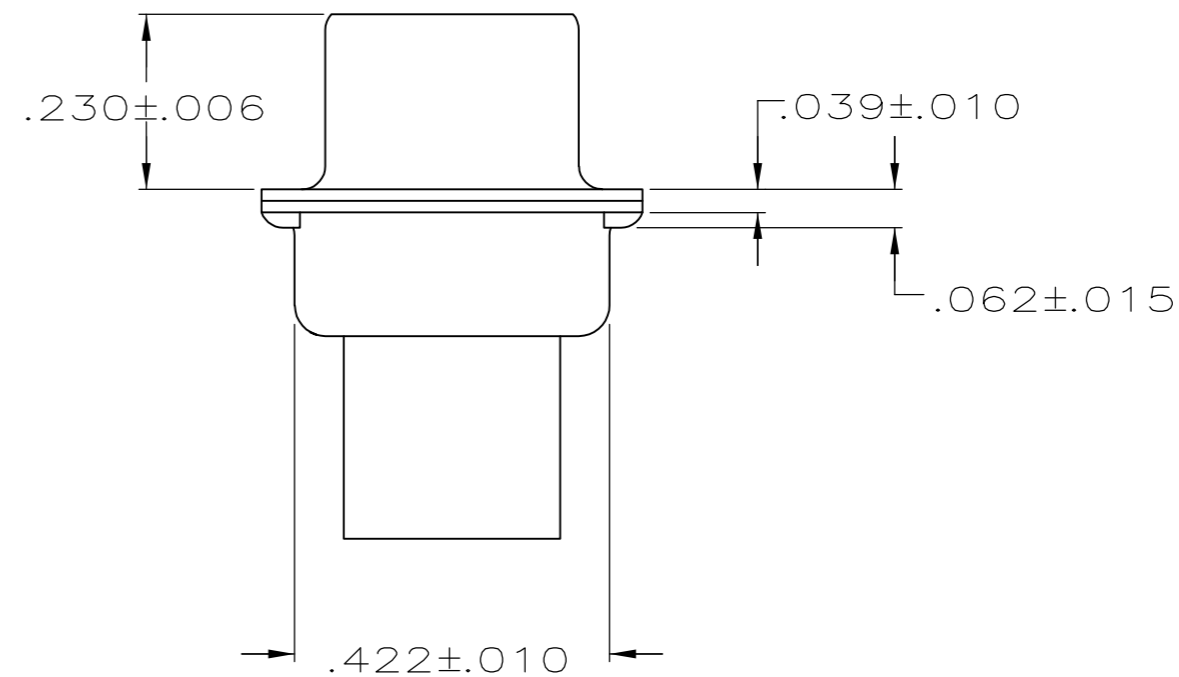
A DIA  
2 HOLES

GROUNDING INDENTS  
SEE TABLE

MATING FACE



"AMP", PART NO. & DATE CODE, MARKED  
IN AREA INDICATED, ON FAR SIDE



- CONNECTOR ACCEPTS SIZE 20 DF PIN CONTACTS, RETENTION TINES ARE AN INTEGRAL PART OF INSERT.
- CONNECTOR COMPLIES WITH 108-40005 WHERE APPLICABLE.
- MOLDED PARTS: GLASS-FILLED PBT OR GLASS-FILLED NYLON, UL94V-0 RATED. COLOR: BLACK
- SHELLS: STEEL PER ASTM A109.
- TIN OR TIN-LEAD PLATED OVER COPPER UNDERPLATE.
- TIN PLATED OVER COPPER UNDERPLATE.

PACKAGING TYPE	SHELL FINISH	GROUNDING INDENTS	A	PART NUMBER
STANDARD	6	NO	.120	207464-7
SMALL PACK	6	YES	.120	207464-6
STANDARD	5	YES	.154	207464-4
STANDARD	5	NO	.154	207464-3
STANDARD	6	YES	.120	207464-2
STANDARD	5	NO	.120	207464-1

OBSOLETE  
 SUPERSEDED BY 207464-2  
 SUPERSEDED BY 207464-2  
 SUPERSEDED BY 207464-7

THIS DRAWING IS A CONTROLLED DOCUMENT.

DWN S.WELDON 7-19-85	TE Connectivity
CHK J.GERACE 7-29-85	
APVD -	NAME
PRODUCT SPEC -	PLUG CONNECTOR, SIZE 3, 25 POSITION, AMPLIMITE™ HDP
APPLICATION SPEC -	SIZE CAGE CODE DRAWING NO RESTRICTED TO
WEIGHT -	A2 00779 C=207464 -
CUSTOMER DRAWING	SCALE 4:1 SHEET 1 of 1 REV J

DIMENSIONS: INCHES	TOLERANCES UNLESS OTHERWISE SPECIFIED:
0 PLC ± -	1 PLC ± -
2 PLC ± -	3 PLC ± .005
4 PLC ± -	ANGLES ± -
MATERIAL SEE NOTES	FINISH SHELLS: SEE TABLE

# Mouser Electronics

Authorized Distributor

Click to View Pricing, Inventory, Delivery & Lifecycle Information:

[TE Connectivity:](#)

[207464-2](#)