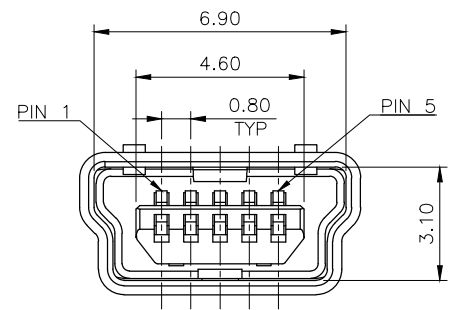
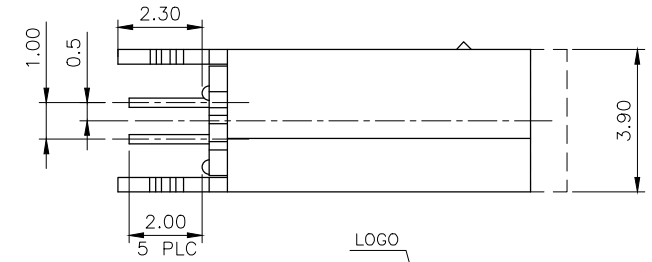
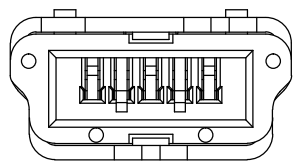
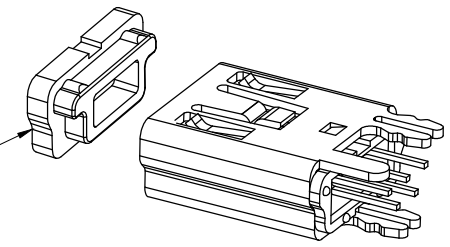
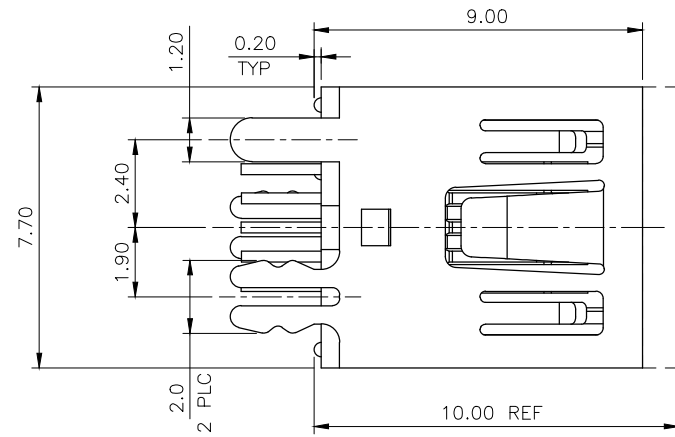


THIS DRAWING IS UNPUBLISHED. RELEASED FOR PUBLICATION  
 © COPYRIGHT 2010 BY TYCO ELECTRONICS CORPORATION. ALL RIGHTS RESERVED.

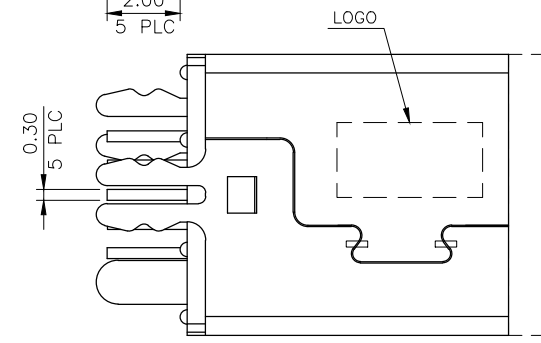
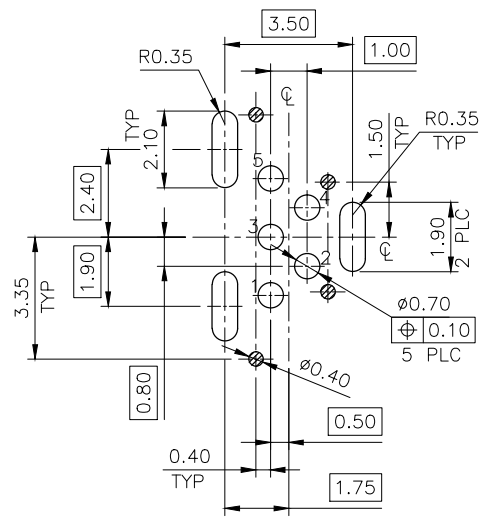
LOC	DIST	REVISIONS			
P	LTR	DESCRIPTION	DATE	DWN	APVD
DW		A1	REVISED (ECR-14-008082), ADD NEW PN	29MAY'14	S.C. H.L.



NOTE:

- MATERIAL:  
 HOUSING: PA9T, UL 94V-0, BLACK COLOR.  
 CAP: LCP, UL 94V-0, BLACK COLOR.  
 CONTACTS: PHOSPHOR BRONZE.  
 SHELL: PHOSPHOR BRONZE.
- FINISH:  
 CONTACTS: 0.762µm [30µ"] MIN. GOLD PLATED ON CONTACT AREA,  
 2.54µm [100µ"] MIN. MATTE TIN PLATED ON SOLDER TAIL,  
 1.27µm [50µ"] MIN. NICKEL UNDERPLATED ALL OVER.  
 SHELL: 2.54µm [100µ"] MIN. BRIGHT TIN PLATED OVER  
 1.27µm [50µ"] MIN. NICKEL UNDERPLATED ALL OVER.
- OPTION PART : CAP
- REFLOW SOLDER CAPABLE TO 260°C PER TE SPEC.  
 109-201, CONDITION B.
- CAP WEIGHT : 0.789 gram

WITH	2041517-2
W/O	2041517-1
CAP	PART NUMBER



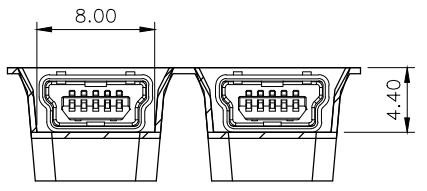
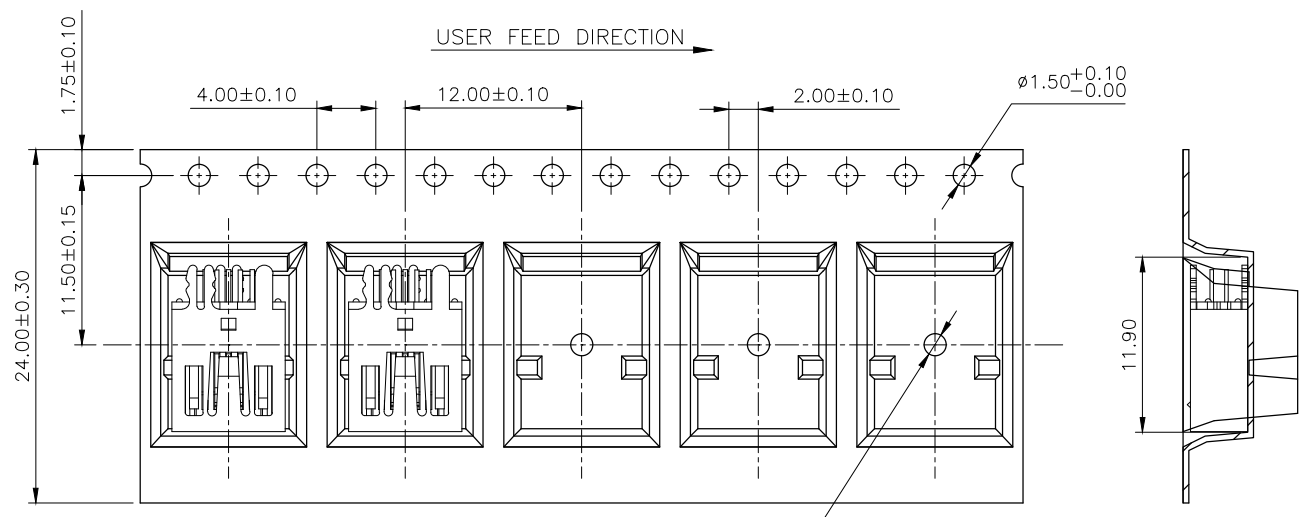
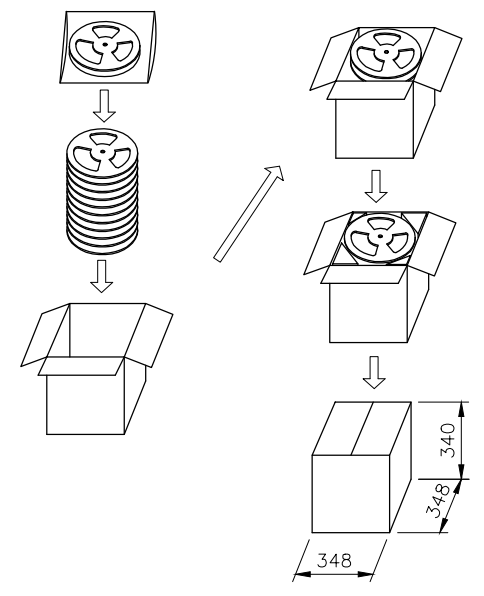
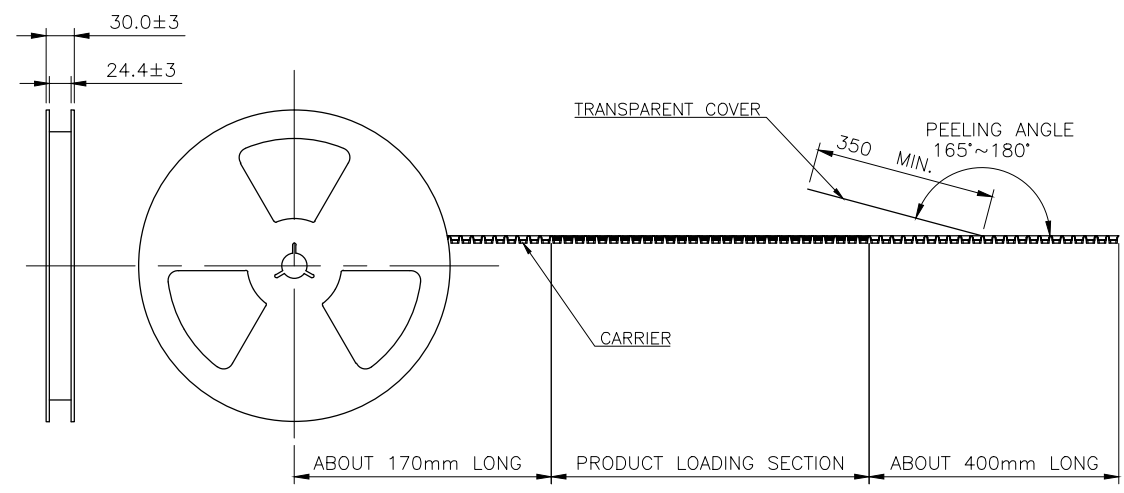
RECOMMENDED PCB LAYOUT (THICKNESS:1.6mm)  
 (DIMENSION TOLERANCE: 1PLC:±0.1 2PLC:±0.05)  
 KEEP OUT AREA FOR HOUSING STAND OFF

THIS DRAWING IS A CONTROLLED DOCUMENT.		DWN J. CHEN 01JUN2012	TE Connectivity MINI USB CONNECTOR, RECEPTACLE VERTICAL, DIP, B TYPE	
DIMENSIONS: mm		CHK S. CHIEN 01JUN2012		
TOLERANCES UNLESS OTHERWISE SPECIFIED: 0 PLC ± - 1 PLC ± 0.30 2 PLC ± 0.20 3 PLC ± 0.15 4 PLC ± - ANGLES ± 3°		APVD W. KODAMA 01JUN2012	NAME	
		PRODUCT SPEC 108-57912	APPLICATION SPEC	
MATERIAL SEE NOTE	FINISH SEE NOTE	WEIGHT 0.725 g	SIZE A3	CAGE CODE 00779
CUSTOMER DRAWING		DRAWING NO C=2041517	RESTRICTED TO	
SCALE		SHEET 1 of 3	REV A1	

THIS DRAWING IS UNPUBLISHED. RELEASED FOR PUBLICATION  
 © COPYRIGHT 2010 BY TYCO ELECTRONICS CORPORATION. ALL RIGHTS RESERVED.

LOC	DIST	REVISIONS					
DW		P	LTR	DESCRIPTION	DATE	DWN	APVD
		SEE SHEET 1.					

- NOTE:
- MATERIAL:  
 COVER TAPE: PET, WHITE COLOR.  
 CARRIER: PS.  
 REEL: PS.  
 SHIPPING BOX: CORRUGATED FIBER.
  - DIMENSION:  
 REEL: SEE DRAWING.  
 SHIPPING BOX: SEE DRAWING.
  - QUANTITY: SEE TABLE.
  - WEIGHT: SEE TABLE.
  - PEELING RESISTANCE: 10gf ~ 130gf
  - PEELING SPEED: 300mm/MINUTE.

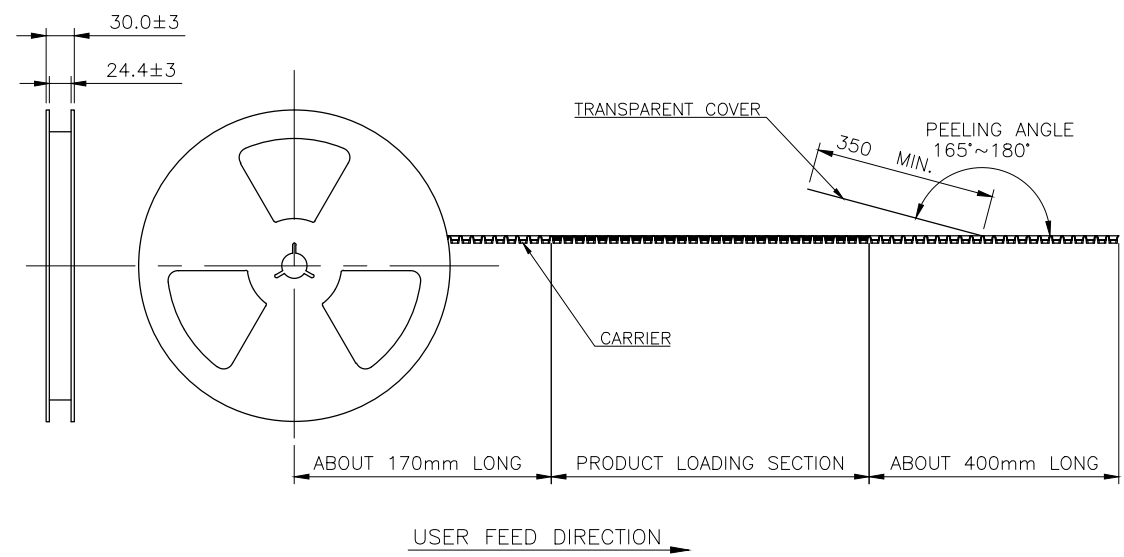


12.5 KG	9.13 KG	1200	10	12000	2041517-1
GROSS WEIGHT	NET WEIGHT	PCS /REEL	REELS /BOX	QUANTITY	PART NUMBER

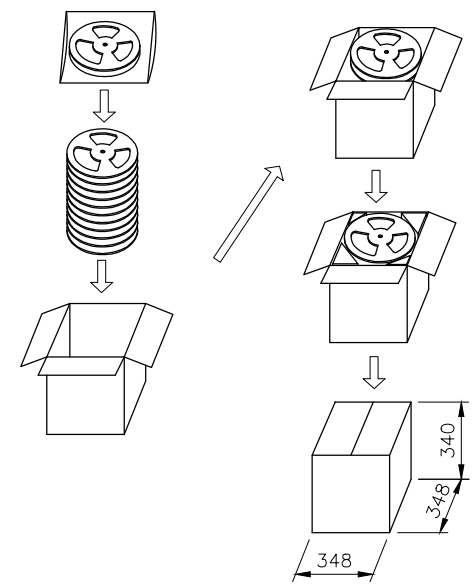
THIS DRAWING IS A CONTROLLED DOCUMENT.		DWN	TE Connectivity		
DIMENSIONS: mm		CHK	NAME		
TOLERANCES UNLESS OTHERWISE SPECIFIED:		APVD	MINI USB CONNECTOR, RECEPTACLE VERTICAL, DIP, B TYPE		
0 PLC ± - 1 PLC ± 0.30 2 PLC ± 0.30 3 PLC ± 0.30 4 PLC ± - ANGLES ± -		PRODUCT SPEC	SIZE	CAGE CODE	DRAWING NO
MATERIAL		APPLICATION SPEC	A3	00779	C=2041517
FINISH		WEIGHT	RESTRICTED TO		
		CUSTOMER DRAWING	SCALE	SHEET	REV
				2 of 3	A1

THIS DRAWING IS UNPUBLISHED. RELEASED FOR PUBLICATION  
 © COPYRIGHT 2010 BY TYCO ELECTRONICS CORPORATION. ALL RIGHTS RESERVED.

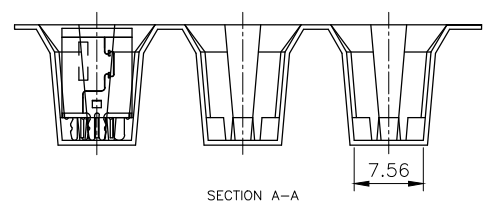
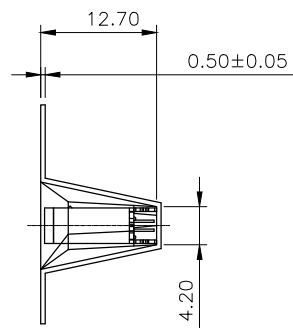
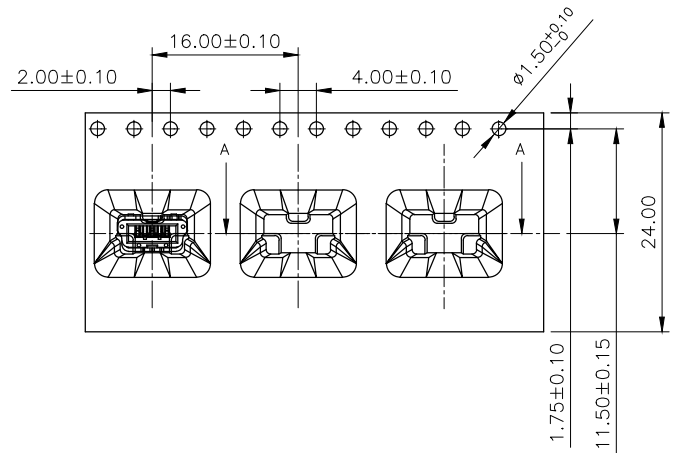
LOC	DIST	REVISIONS					
DW		P	LTR	DESCRIPTION	DATE	DWN	APVD
		SEE SHEET 1.					



- NOTE:
- MATERIAL:  
COVER TAPE: PET, WHITE COLOR.  
CARRIER TAPE: PS.  
REEL: PS.  
SHIPPING BOX: CORRUGATED FIBER.
  - DIMENSION:  
REEL: SEE DRAWING.  
SHIPPING BOX: SEE DRAWING.
  - QUANTITY: SEE TABLE.
  - WEIGHT: SEE TABLE.
  - PEELING RESISTANCE: 10gf ~ 130gf
  - PEELING SPEED: 300mm/MINUTE.



PACKAGING PROCESS



6.70KG	2.60 KG	300	10	3000	2041517-2
GROSS WEIGHT	NET WEIGHT	PCS /REEL	REELS /BOX	QUANTITY	PART NUMBER

THIS DRAWING IS A CONTROLLED DOCUMENT.		DWN	-			
DIMENSIONS: mm		CHK	-			
TOLERANCES UNLESS OTHERWISE SPECIFIED:		APVD	-			
0 PLC ± -		PRODUCT SPEC	-			
1 PLC ± 0.30		APPLICATION SPEC	-			
2 PLC ± 0.30		WEIGHT	-			
3 PLC ± 0.30		CUSTOMER DRAWING	-			
4 PLC ± -		FINISH	-			
ANGLES ± -		TE Connectivity		NAME		
MATERIAL		MINI USB CONNECTOR, RECEPTACLE VERTICAL, DIP, B TYPE				
		SIZE	CAGE CODE	DRAWING NO	RESTRICTED TO	
		A3	00779	C=2041517	-	
		SCALE	SHEET	3 of 3	REV	
					A1	

# Mouser Electronics

Authorized Distributor

Click to View Pricing, Inventory, Delivery & Lifecycle Information:

[TE Connectivity:](#)

[2041517-1](#)