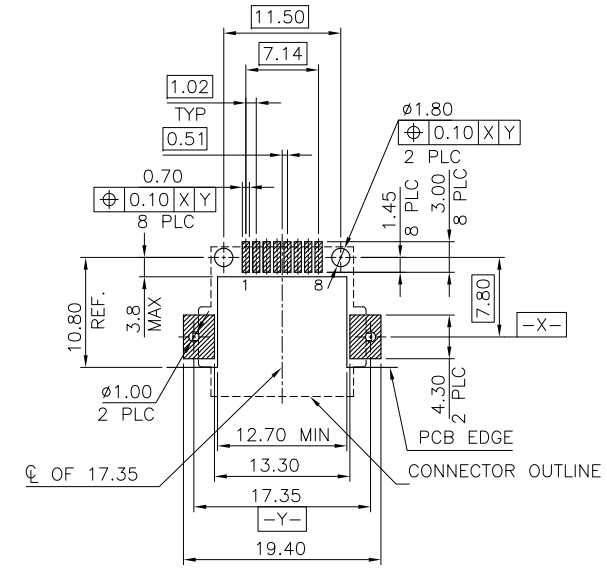
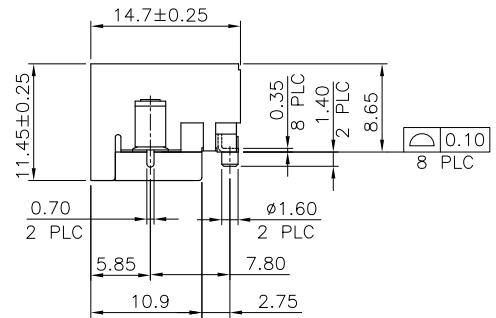
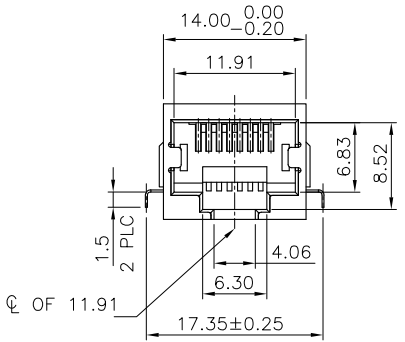
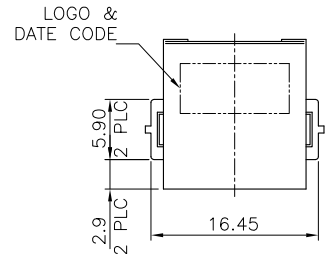
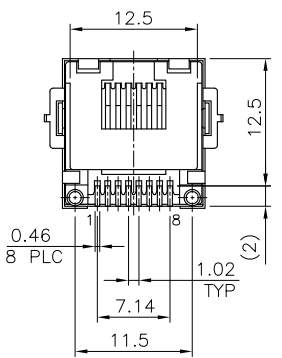


THIS DRAWING IS UNPUBLISHED. RELEASED FOR PUBLICATION AUG. 2006.  
 © COPYRIGHT - BY TYCO ELECTRONICS CORPORATION. ALL RIGHTS RESERVED.

LOC		DIST		REVISIONS					
DW		-		P	LTR	DESCRIPTION	DATE	DWN	APVD
				B		ECR-12-012115	26OCT12	EL	WK



RECOMMENDED PCB LAYOUT  
 TOLERANCE: ±0.05 (TOP VIEW)



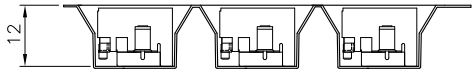
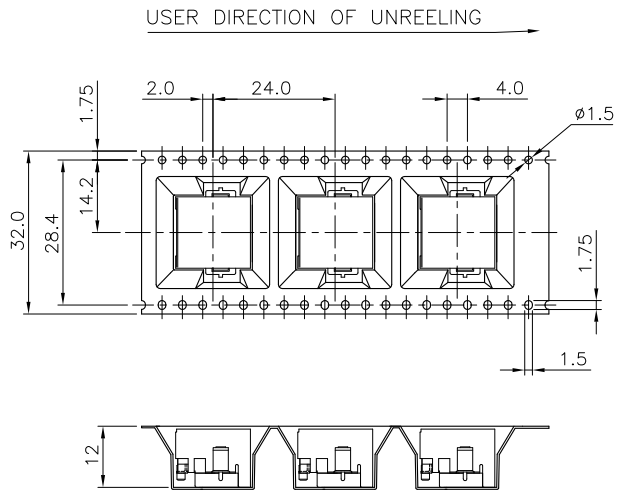
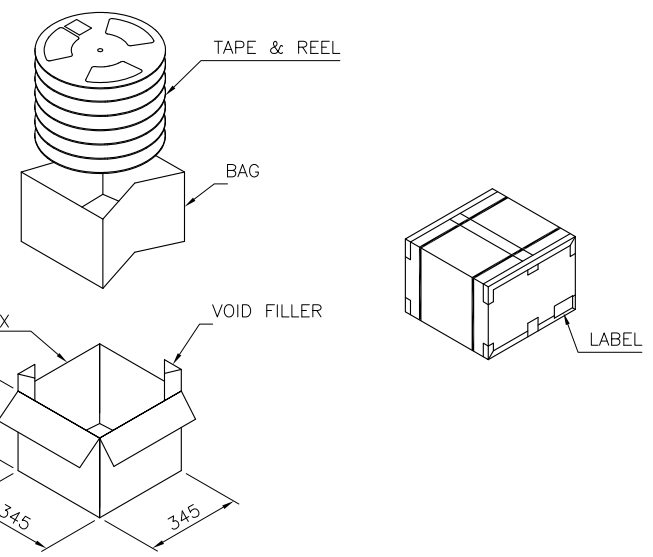
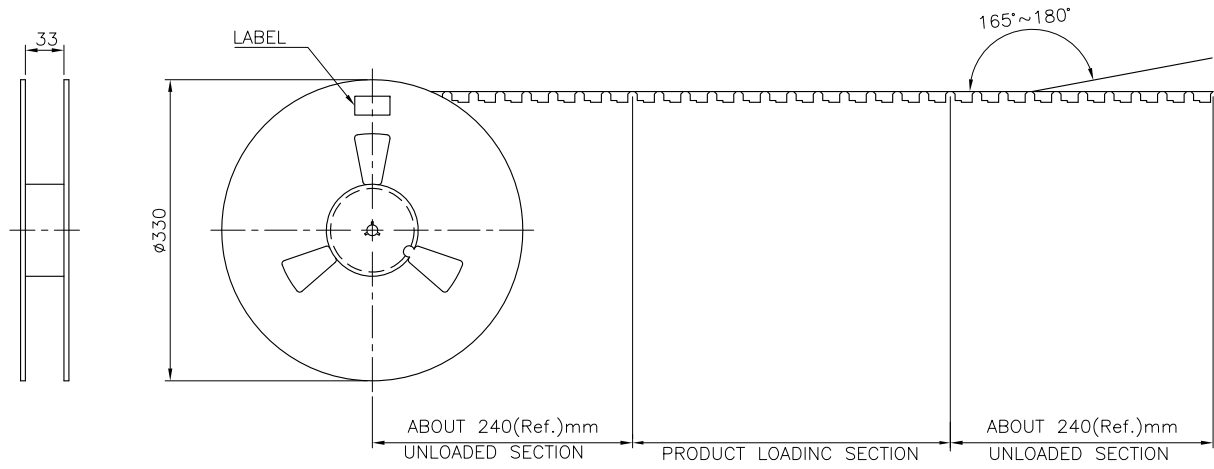
- NOTE:
- MATERIAL:  
 HOUSING: PA9T, WITH 30% GF, UL94 V-0, BLACK COLOR.  
 INSERT HOUSING: PA46, WITH 30% GF, UL94 V-0, BLACK COLOR.  
 CONTACTS: PHOSPHOR BRONZE.  
 SHELL: BRASS.
  - FINISH:  
 CONTACTS: (SEE TABLE) GOLD PLATED ON CONTACT AREA, GOLD FLASH ON SOLDER TAIL, WITH ENTIRE CONTACT UNDERPLATED.  
 1.27µm [50µ"] MIN. NICKEL.  
 SHELL: 0.508µm [20µ"] MIN. NICKEL PLATED.
  - RECOMMENDED PCB THICKNESS: 1.2mm.
  - REFLOW SOLDER CAPABLE TO 260°C PER TEC-109-201, CONDITION B.

OBSOLETE	1.37µm [50µ"]	-2041126-4-
	0.762µm [30µ"]	-2041126-3-
	0.381µm [15µ"]	-2041126-2-
	0.152µm [6µ"]	2041126-1
	MIN. GOLD THICKNESS	PART NUMBER

THIS DRAWING IS A CONTROLLED DOCUMENT.		DWN B. HSING	09MAR2009	TE Connectivity	
DIMENSIONS: MM		CHK S. CHIEN	09MAR2009		
TOLERANCES UNLESS OTHERWISE SPECIFIED:		APVD W. KODAMA	09MAR2009	NAME	
0 PLC ± - 1 PLC ± 0.30 2 PLC ± 0.20 3 PLC ± 0.15 4 PLC ± - ± 3°		PRODUCT SPEC 108-57752		MODULAR JACK, RJ45, SMT TYPE	
MATERIAL SEE NOTE		QUALIFICATION TEST REPORT 501-97964		SIZE A3	RESTRICTED TO -
FINISH SEE NOTE		WEIGHT 2.45 GRAMS		DRAWING NO C=2041126	
		CUSTOMER DRAWING		SCALE	SHEET 1 OF 2
				REV B	

THIS DRAWING IS UNPUBLISHED. RELEASED FOR PUBLICATION AUG., 2006.  
 © COPYRIGHT BY TYCO ELECTRONICS CORPORATION. ALL RIGHTS RESERVED.

LOC	DIST	REVISIONS					
DW	-	P	LTR	DESCRIPTION	DATE	DWN	APVD
				SEE SHEET 1.			



6.5 Kg	4.5 Kg	230	8	1840 PCS
GROSS WEIGHT (Ref.)	NET WEIGHT (Ref.)	PCS/REEL	REELS /BOX	QUANTITY

THIS DRAWING IS A CONTROLLED DOCUMENT.		DWN	TE Connectivity MODULAR JACK, RJ45, SMT TYPE				
DIMENSIONS: MM		CHK				NAME	
TOLERANCES UNLESS OTHERWISE SPECIFIED:		APVD				SIZE	
0 PLC ± 1 PLC ± 2 PLC ± 3 PLC ± 4 PLC ± ANGLES ±		PRODUCT SPEC				CAGE CODE	
MATERIAL		APPLICATION SPEC	DRAWING NO		RESTRICTED TO		
FINISH		WEIGHT	©=2041126				
CUSTOMER DRAWING			SCALE	SHEET 2 of 2	REV B		

# Mouser Electronics

Authorized Distributor

Click to View Pricing, Inventory, Delivery & Lifecycle Information:

[TE Connectivity:](#)

[2041126-1](#)