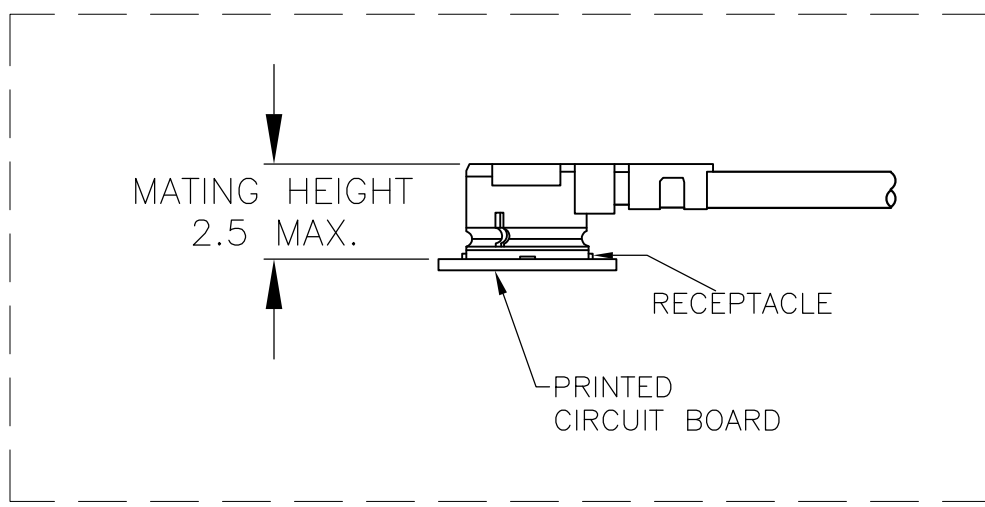
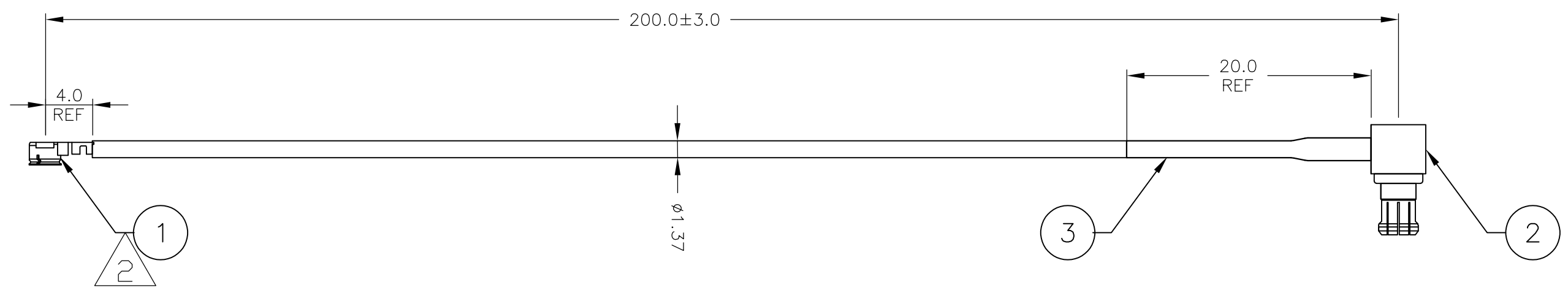


THIS DRAWING IS UNPUBLISHED. RELEASED FOR PUBLICATION
 © COPYRIGHT BY TYCO ELECTRONICS CORPORATION. ALL RIGHTS RESERVED.

| | | | | | | | |
|-----|------|-----------|-----|-----------------------|-----------|-----|------|
| LOC | DIST | REVISIONS | | | | | |
| GP | 00 | P | LTR | DESCRIPTION | DATE | DWN | APVD |
| | | | A | RELEASE PER RTS 90046 | 04/DEC/07 | ECC | JO |



1. PRODUCT AND PROCESSING MUST MEET REQUIREMENTS OF TYCO ELECTRONICS STANDARD 230-702.
2. HIROSE COMPATIBLE, 2.5 mm MATING HEIGHT. UMCC CONNECTOR, TYPE III
3. CABLE ASSEMBLY TO BE 100% ELECTRICALLY TESTED FOR OPENS, SHORTS AND CONTINUITY. HI-POT AT 150 VDC FOR 100ms VSWR: 1.5:1 MAX.



2032442-1
 TYCO ELECTRONICS P/N

| A/R | MR | TUBING, HEAT SHRINK | 3 |
|-----|-----|---------------------------|------|
| 1 | PC | MCX, R/A, PLUG | 2 |
| 1 | PC | UMCC, PLUG [1.37mm CABLE] | 1 |
| -1 | U/M | DESCRIPTION | ITEM |

| | | | | | |
|--|--|------------------|-----------|--|-----------|
| THIS DRAWING IS A CONTROLLED DOCUMENT. | | DWN | 28/NOV/07 | Tyco Electronics Corporation | |
| | | CHK | 04/DEC/07 | Harrisburg, PA 17105-3608 | |
| | | APVD | 04/DEC/07 | NAME | |
| | | PRODUCT SPEC | | CABLE ASSY, RF, UMCC PLUG TO MCX R/A PLUG [1.37mm CABLE] | |
| | | APPLICATION SPEC | | SIZE | CAGE CODE |
| | | WEIGHT | | A3 | 00779 |
| | | CUSTOMER DRAWING | | DRAWING NO | G-2032442 |
| | | SCALE | | SHEET | REV |
| | | N.T.S. | | 1 OF 1 | A |

| | |
|-------------|--|
| DIMENSIONS: | TOLERANCES UNLESS OTHERWISE SPECIFIED: |
| mm [INCHES] | |
| | 0 PLC ± - |
| | 1 PLC ± - |
| | 2 PLC ± - |
| | 3 PLC ± - |
| | 4 PLC ± - |
| | ANGLES ± - |
| MATERIAL | FINISH |
| - | - |

Mouser Electronics

Authorized Distributor

Click to View Pricing, Inventory, Delivery & Lifecycle Information:

[TE Connectivity:](#)

[2032442-1](#)