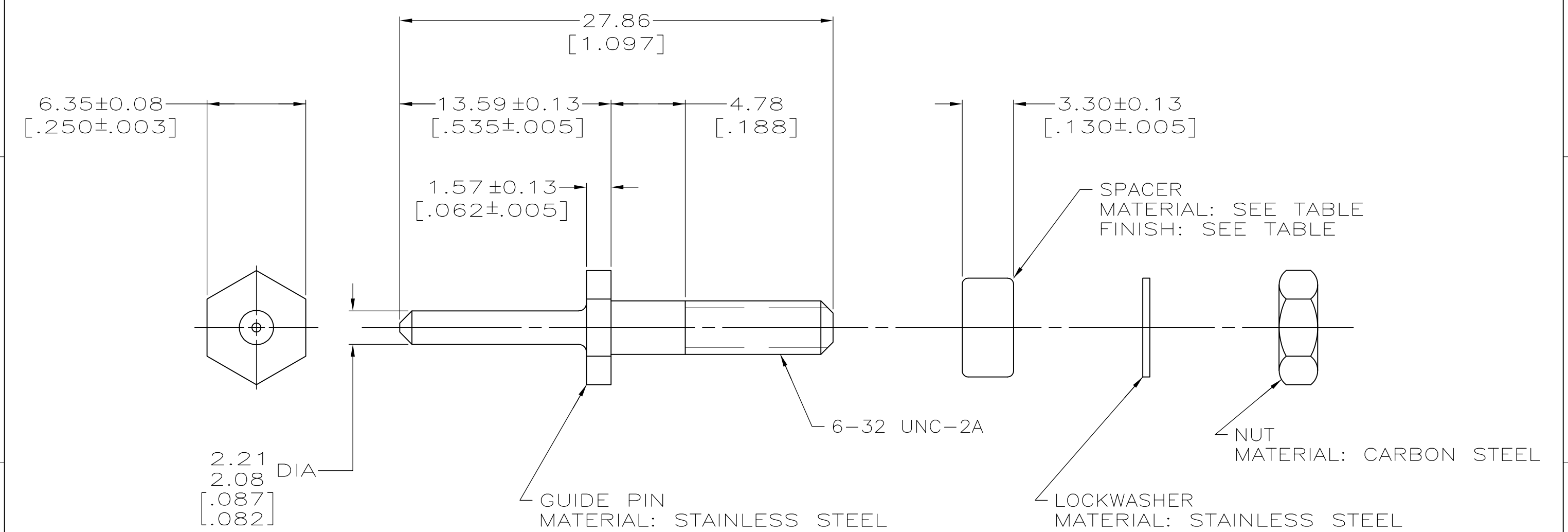


THIS DRAWING IS UNPUBLISHED. RELEASED FOR PUBLICATION  
 © COPYRIGHT BY TYCO ELECTRONICS CORPORATION. ALL RIGHTS RESERVED.

LOC	DIST	REVISIONS					
FT	0	P	LTR	DESCRIPTION	DATE	DWN	APVD
			T	REVISED PER ECO-10-021995	12JAN11	HMR	MG



1	STAINLESS STEEL	YES	202173-8
-	-	NO	202173-7
2	BRASS	YES	202173-6
1	STAINLESS STEEL	YES	202173-5
-	-	NO	202173-1
FINISH		MATERIAL	
SPACER			PART NUMBER

SUPERSEDED BY 202173-8

SUPERSEDED BY 202173-7

1 PASSIVATED.

2 2.54um [.000100] MIN ZINC WITH HEXAVALENT CHROMIUM.

THIS DRAWING IS A CONTROLLED DOCUMENT.

DWN	C.DORWART	30 AUG 95	 Tyco Electronics Corporation Harrisburg, Pa 17105-3608
CHK	R.STONE	31 AUG 95	
APVD	G.STEINHAUER	05 OCT 95	
PRODUCT SPEC			NAME
APPLICATION SPEC			GUIDE PIN KIT, UNASSEMBLED, M SERIES
WEIGHT			SIZE
SEE CALLOUTS			CAGE CODE
			DRAWING NO
			RESTRICTED TO
CUSTOMER DRAWING			SCALE
			SHEET
			OF
			REV
			T

A3 00779 C-202173

SCALE 4:1 SHEET 1 OF 1 REV T

# Mouser Electronics

Authorized Distributor

Click to View Pricing, Inventory, Delivery & Lifecycle Information:

[TE Connectivity:](#)

[202173-7](#)