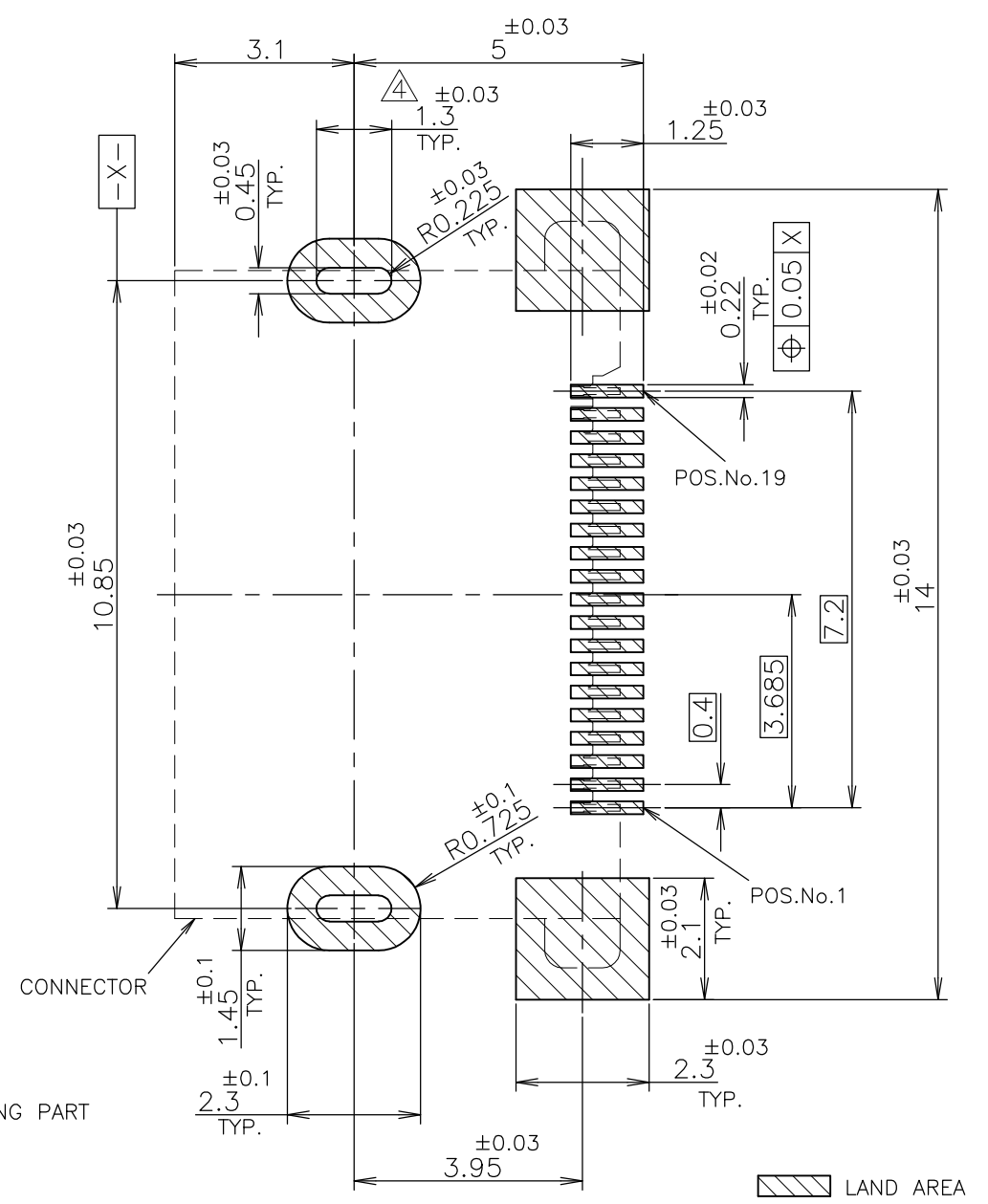
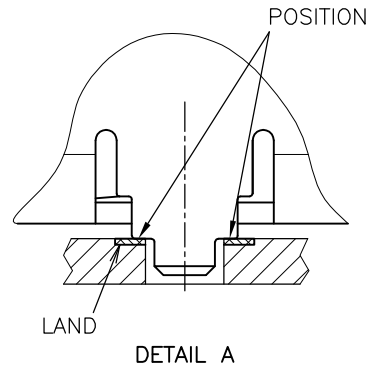
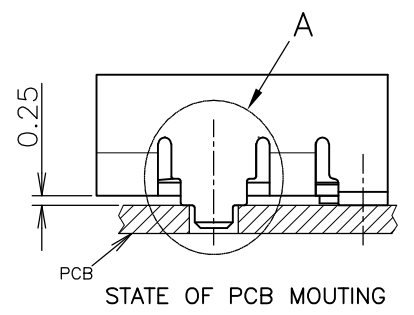
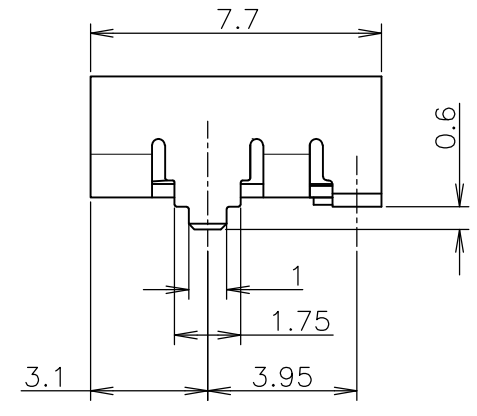
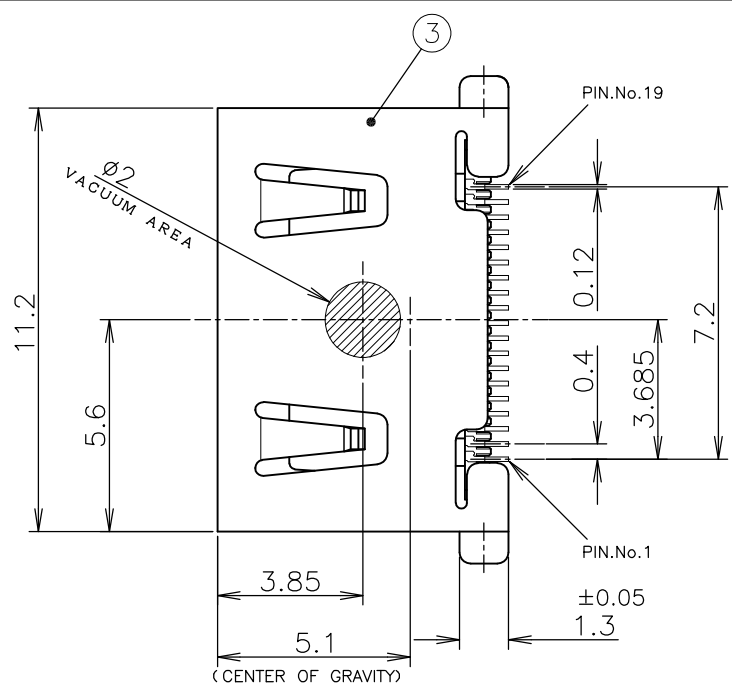
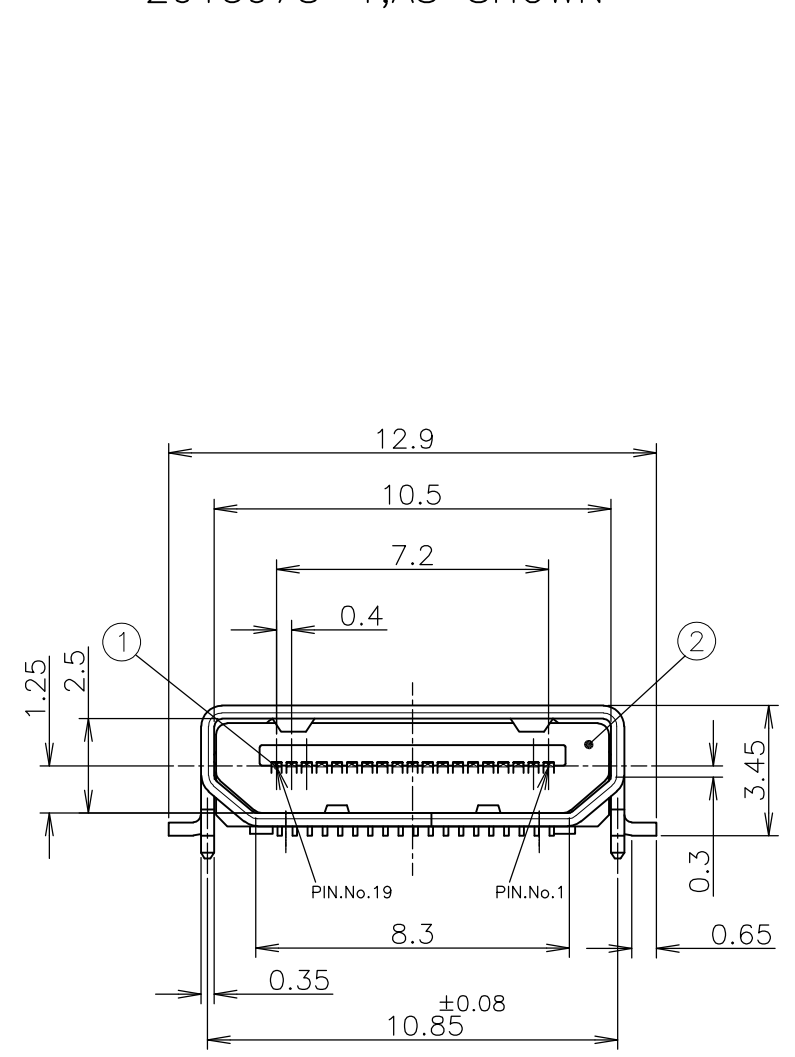


THIS DRAWING IS UNPUBLISHED. RELEASED FOR PUBLICATION  
 © COPYRIGHT - By - ALL RIGHTS RESERVED.

LOC	DIST	REVISIONS					
J		P	LTR	DESCRIPTION	DATE	DWN	APVD
			B1	REVISED PER ECO-11-005030	11MAR11	RK	HMR

2013978-1;AS SHOWN



REFERENCE PCB LAYOUT

COPPER ALLOY	1	SHELL	③
THERMOPLASTIC UL94V-0,COLOR;BLACK	1	HOUSING	②
COPPER ALLOY	19	CONTACT	①
MATERIAL	QTY.	DISCRIPTION	ITEM

NOTE  
 1 GENERAL TOLERANCE : ±0.3  
 2 CONTACT TINE COPLANALITY ; 0.1mmMAX  
 3 FINISH  
 CONTACT ; Ni UNDER PLATING ALL OVER 1.3um MIN.  
 Au PLATING ON SOLDERING AREA 0.05um MIN.  
 Au PLATING ON CONTACT AREA 0.1um MIN.  
 SHELL ; Ni UNDER PLATING ALL OVER 0.8um MIN.  
 Sn PLATING ALL OVER 0.75um MIN.  
 4 PLEASE OBSERVE THE TOLERANCE SO THAT THIS DIMENSION INFLUENCE POSITIONING THE PRODUCT(REFER TO DETAIL A,B).

注記  
 1 一般公差 : ±0.3  
 2 コプラナリティ : 0.1mmMAX.  
 3 仕上げ  
 コンタクト : 全面ニッケル下地 1.3μm 以上  
 はんだ付け部 金フラッシュメッキ 0.05μm 以上  
 接点部 金メッキ 0.1μm 以上  
 シェル : 全面ニッケル下地 0.8μm 以上  
 全面スズメッキ 0.75μm 以上  
 4 本寸法は製品の位置決めに影響する寸法  
 ですので、公差を厳守してください  
 (DETAIL A,Bを参照ください)

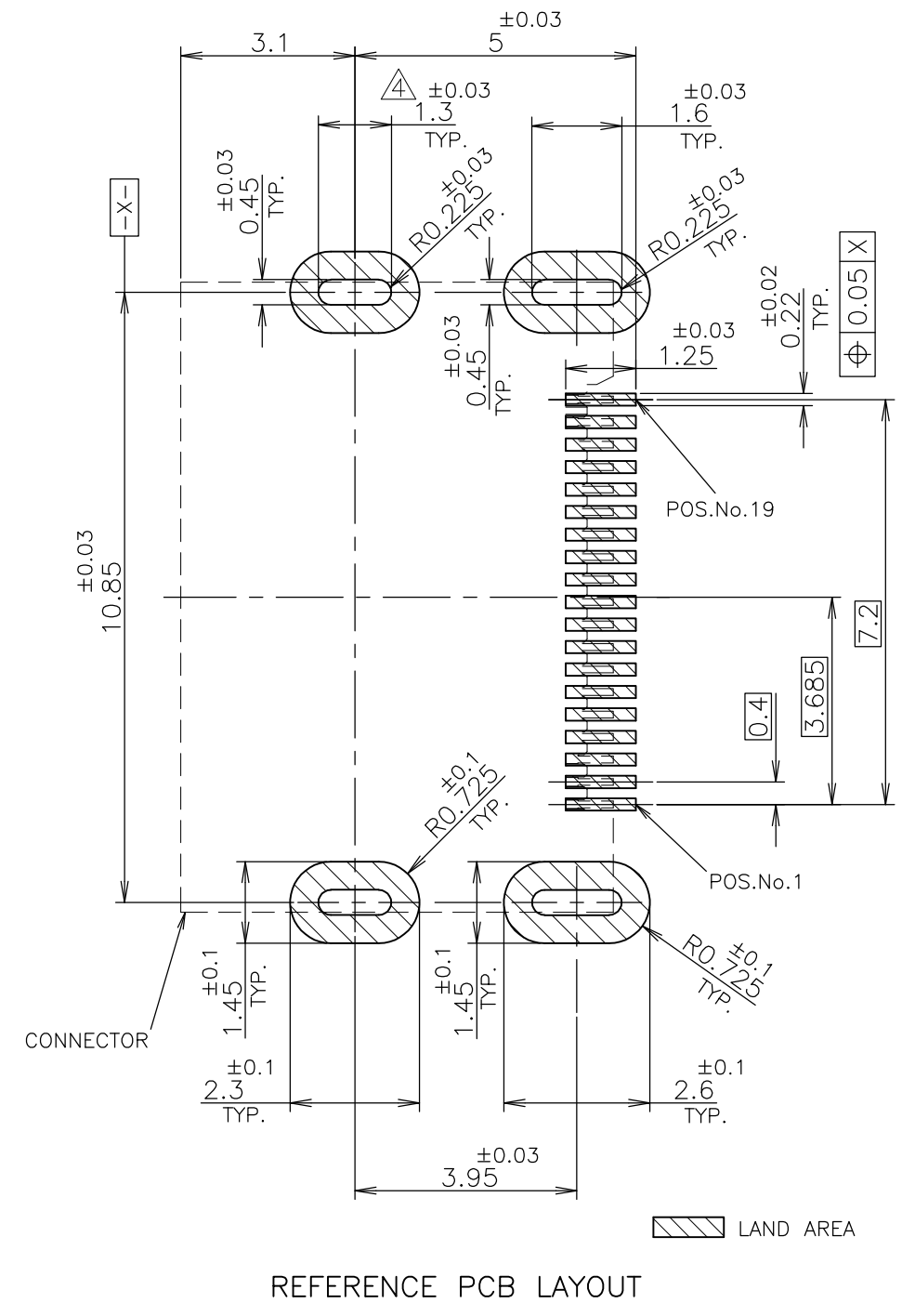
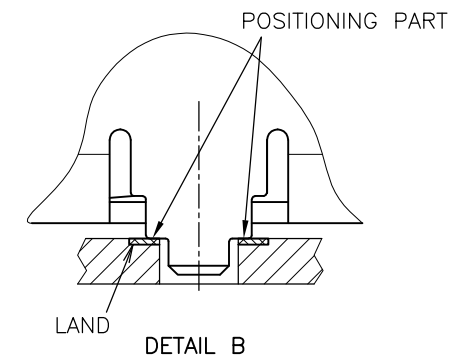
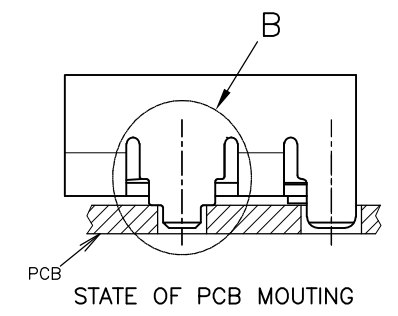
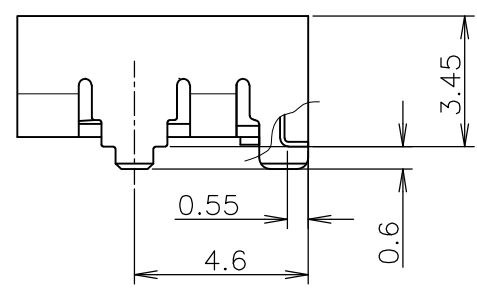
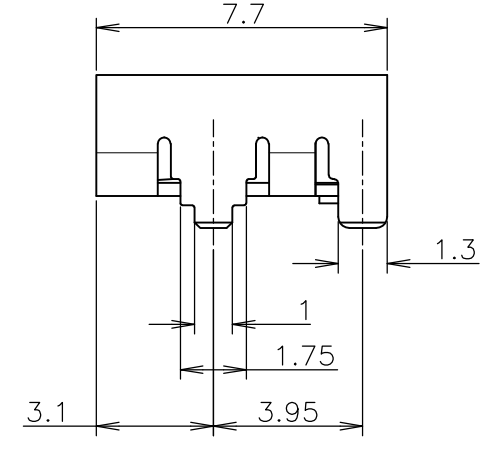
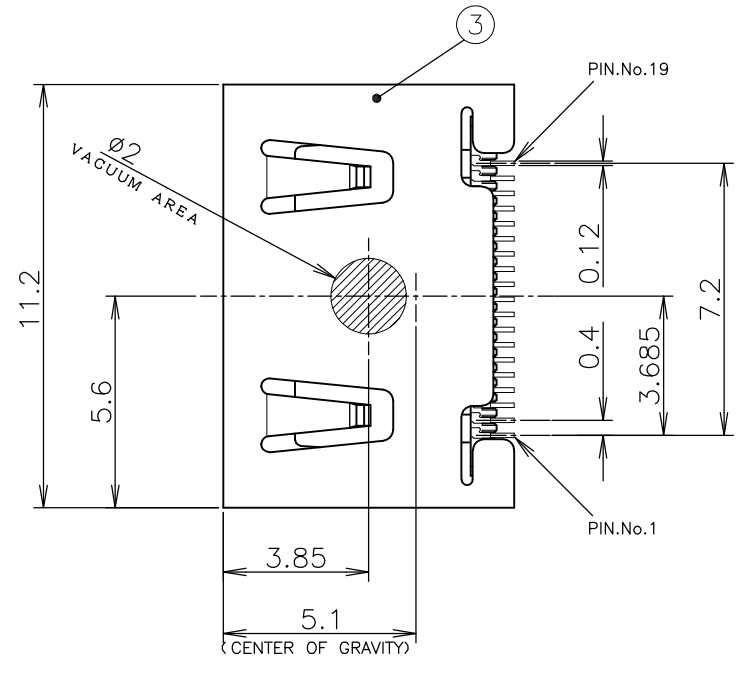
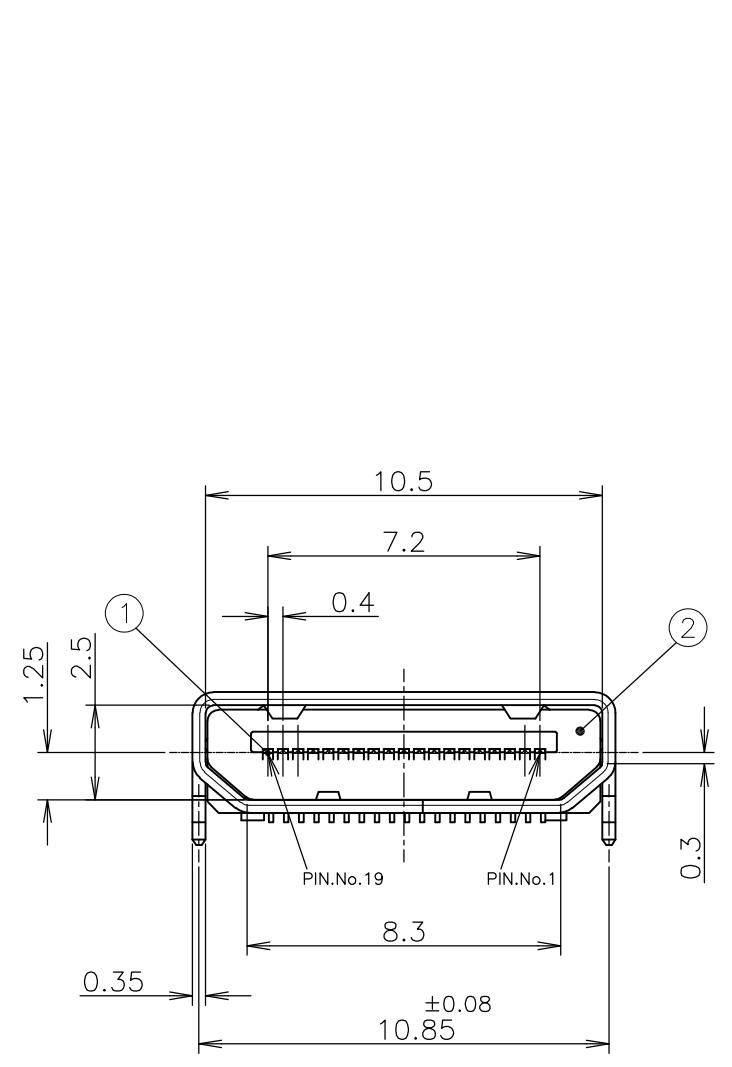
THIS DRAWING IS A CONTROLLED DOCUMENT.

DIMENSIONS: 単位: 耗 mm	TOLERANCES UNLESS OTHERWISE SPECIFIED: 一般公差	DWN Y.OKOSHI 11JAN2008	TE Connectivity <b>HDMI TYPE C RECEPTACLE CONNECTOR</b>			
	0 PLC ± 1 PLC ± 2 PLC ± 3 PLC ± 4 PLC ± ANGLES ± FINISH 仕上	CHK I.IGARASHI 11JAN2008				NAME 名称
		APVD T.FUTATSUGI 11JAN2008				PRODUCT SPEC 製品規格 108-78487
		APPLICATION SPEC 取付適用規格				SIZE A3
MATERIAL 材料	WEIGHT 0.62g	CUSTOMER DRAWING		SCALE 尺度 5:1	SHEET 1 OF 5	REV B1

THIS DRAWING IS UNPUBLISHED. RELEASED FOR PUBLICATION  
 © COPYRIGHT - By - ALL RIGHTS RESERVED.

LOC	DIST	REVISIONS		
J		P	LTR	DESCRIPTION
		-	-	SEE SHEET 1
				DATE
				DWN
				APVD

2013978-2;AS SHOWN



NOTE  
 1 GENERAL TOLERANCE : ±0.3  
 2 CONTACT TINE COPLANALITY ; 0.1mmMAX  
 3 FINISH  
 CONTACT ; Ni UNDER PLATING ALL OVER  
 1.3um MIN.  
 Au PLATING ON SOLDERING AREA  
 0.05um MIN.  
 Au PLATING ON CONTACT AREA  
 0.1um MIN.  
 SHELL ; Ni UNDER PLATING ALL OVER  
 0.8um MIN.  
 Sn PLATING ALL OVER  
 0.75um MIN.  
 4 PLEASE OBSERVE THE TOLERANCE SO THAT  
 THIS DIMENSION INFLUENCE POSITIONING  
 THE PRODUCT(REFER TO DETAIL A,B).

注記  
 1 一般公差 : ±0.3  
 2 コプラナリティ : 0.1mmMAX.  
 3 仕上げ  
 コンタクト : 全面ニッケル下地 1.3um 以上  
 はんだ付け部 金フラッシュメッキ  
 0.05um 以上  
 接点部 金メッキ 0.1um 以上  
 シェル : 全面ニッケル下地 0.8um 以上  
 全面スズメッキ 0.75um 以上  
 4 本寸法は製品の位置決めに影響する寸法  
 ですので、公差を厳守してください  
 (DETAIL A,Bを参照ください)

SMT TERMINAL

THIS DRAWING IS A CONTROLLED DOCUMENT.		DWN	TE Connectivity		
DIMENSIONS: 単位: 耗 mm		CHK			
TOLERANCES UNLESS OTHERWISE SPECIFIED: 一般公差		APVD	NAME 名称		
0 PLC ±		PRODUCT SPEC 製品規格	HDMI TYPE C RECEPTACLE CONNECTOR		
1 PLC ±		APPLICATION SPEC 取付適用規格	SIZE	CAGE CODE	DRAWING NO 番号
2 PLC ±		WEIGHT 0.62g	A3	00779	C-2013978
3 PLC ±		CUSTOMER DRAWING	RESTRICTED TO		
4 PLC ±		SCALE 尺度 5:1	SHEET 2 OF 5		REV B1
ANGLES ±					
FINISH 仕上					

THIS DRAWING IS UNPUBLISHED.

RELEASED FOR PUBLICATION

ALL RIGHTS RESERVED.

© COPYRIGHT - By -

LOC

DIST

REVISIONS

変更

DESCRIPTION

DATE

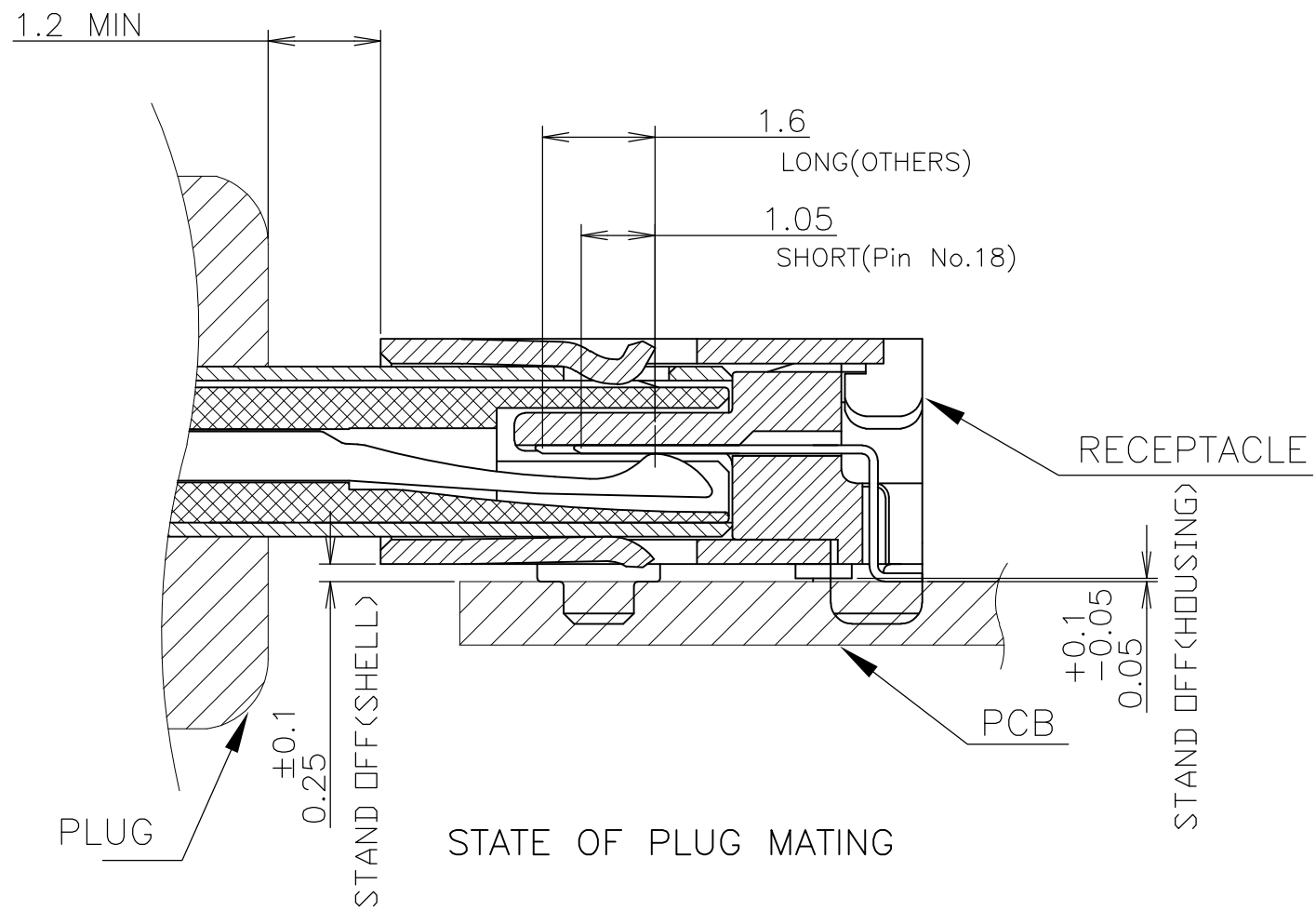
DWN

APVD

P

LTR

SEE SHEET 1

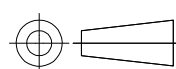


STATE OF PLUG MATING

THIS DRAWING IS A CONTROLLED DOCUMENT.

DIMENSIONS:  
単位: 耗  
mm

TOLERANCES UNLESS  
OTHERWISE SPECIFIED:  
一般公差



- 0 PLC ±
- 1 PLC ±
- 2 PLC ±
- 3 PLC ±
- 4 PLC ±
- ANGLES ±

MATERIAL  
材料

FINISH  
仕上



DWN

CHK

APVD

PRODUCT SPEC  
製品規格

APPLICATION SPEC  
取付適用規格

WEIGHT



NAME  
名称

HDMI TYPE C  
RECEPTACLE CONNECTOR

SIZE

CAGE CODE

DRAWING NO  
番号

RESTRICTED TO

A3

00779

C-2013978

CUSTOMER DRAWING

SCALE  
尺度 5:1

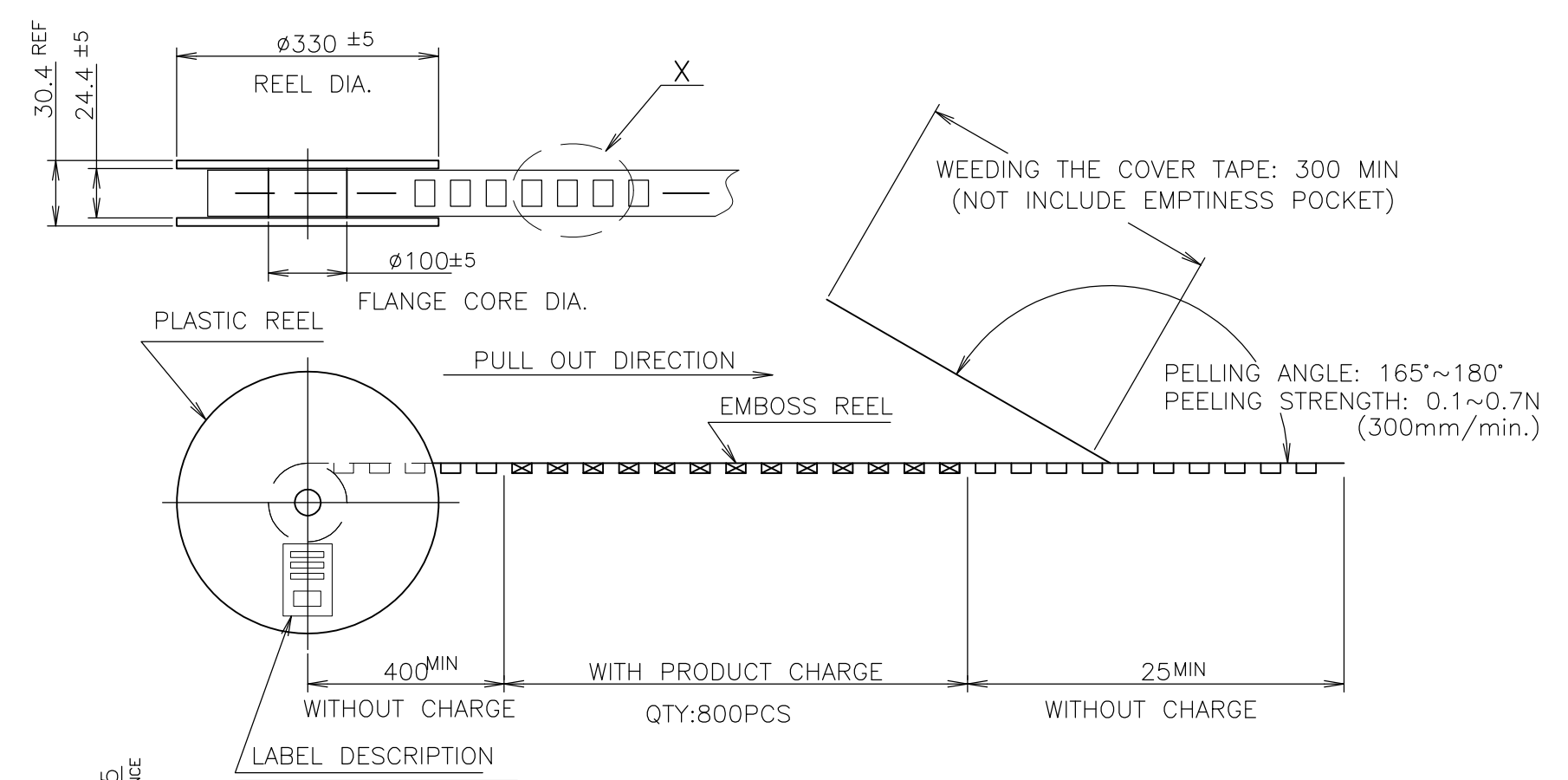
SHEET  
3 OF 5

REV  
B1

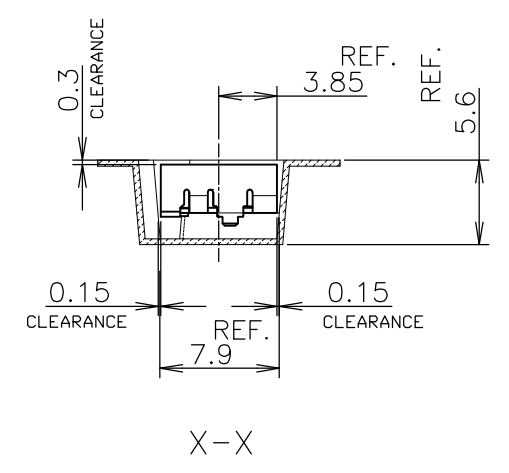
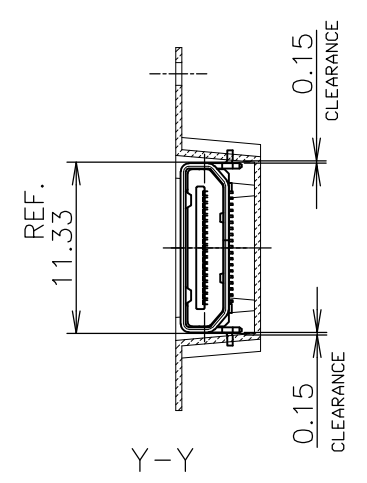
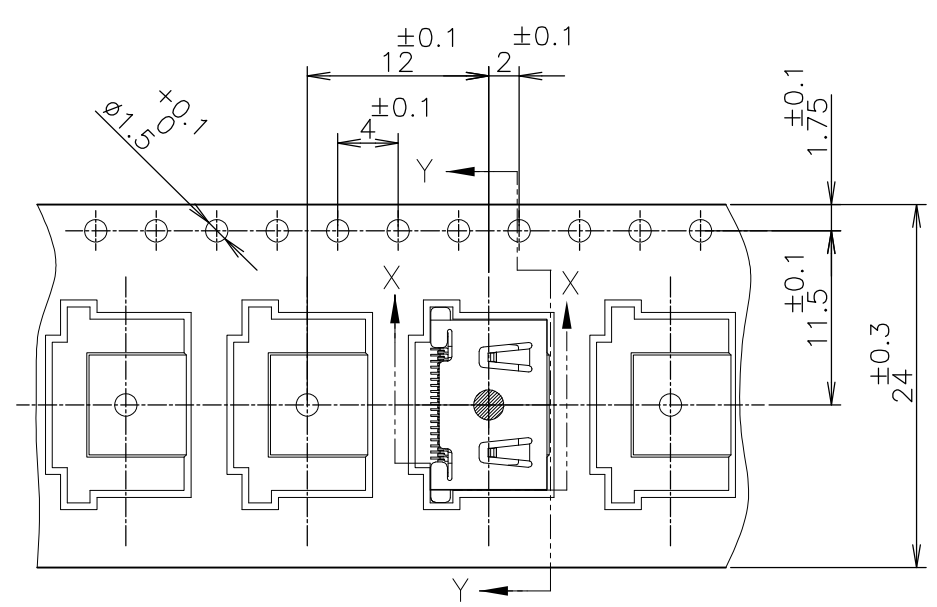
THIS DRAWING IS UNPUBLISHED. RELEASED FOR PUBLICATION  
 © COPYRIGHT - By - ALL RIGHTS RESERVED.

LOC	DIST	REVISIONS		
J		变更	DESCRIPTION	DATE
		P	LTR	DWN
			SEE SHEET 1	APVD

2013978-1;AS SHOWN



PLASTIC REEL  
 PULL OUT DIRECTION  
 EMBOSS REEL  
 WEEDING THE COVER TAPE: 300 MIN (NOT INCLUDE EMPTINESS POCKET)  
 PELLING ANGLE: 165°~180°  
 PEELING STRENGTH: 0.1~0.7N (300mm/min.)

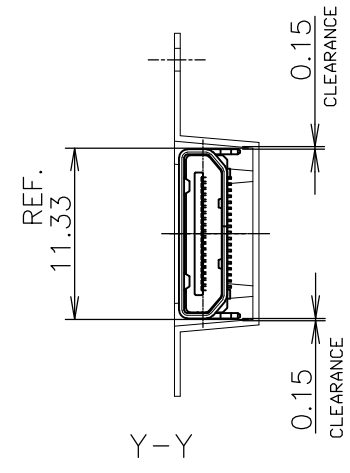
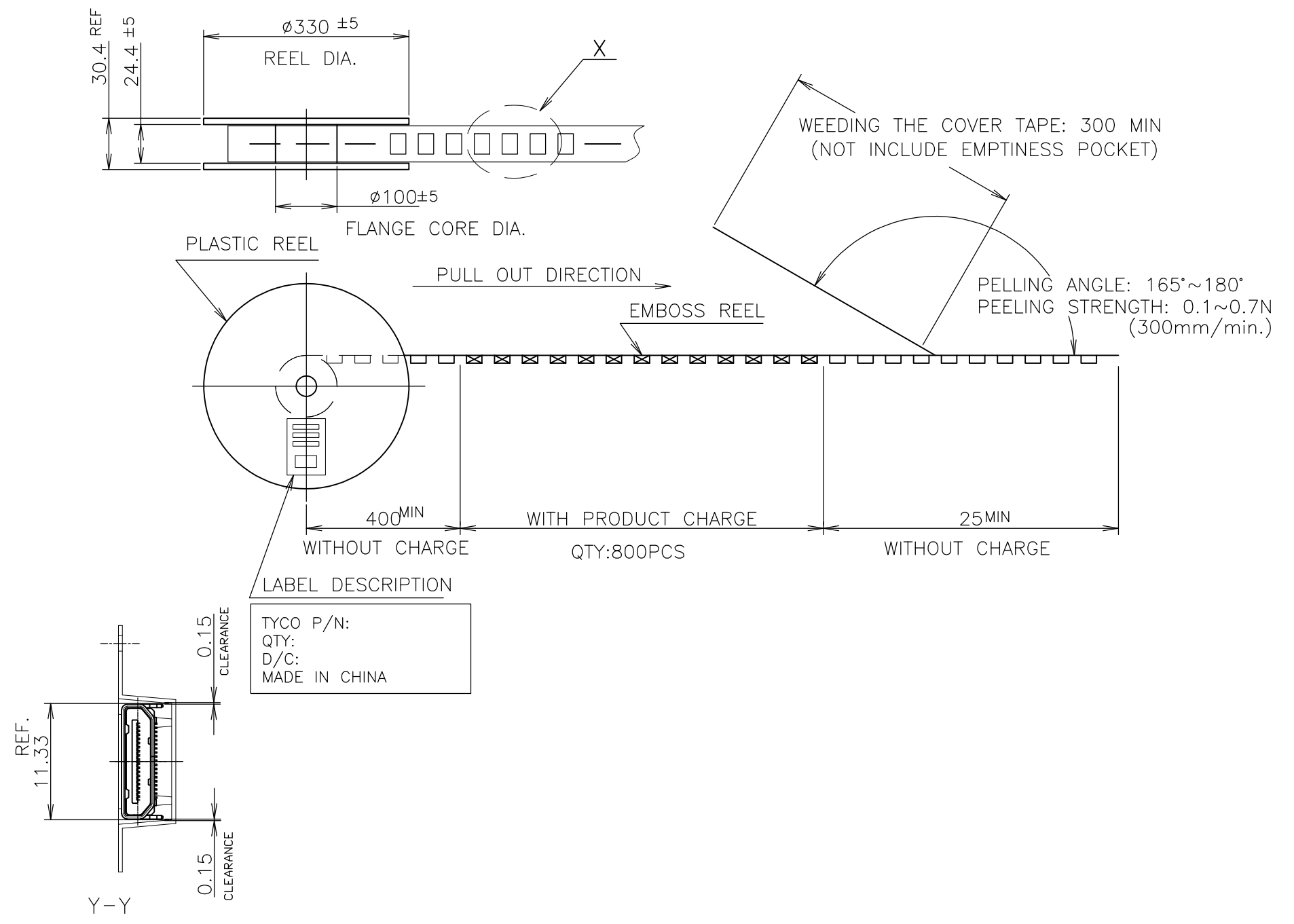
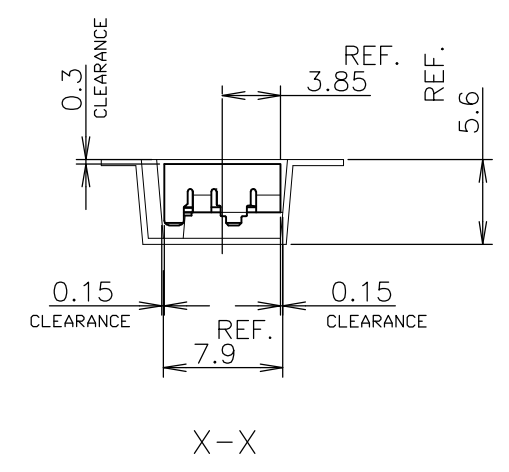
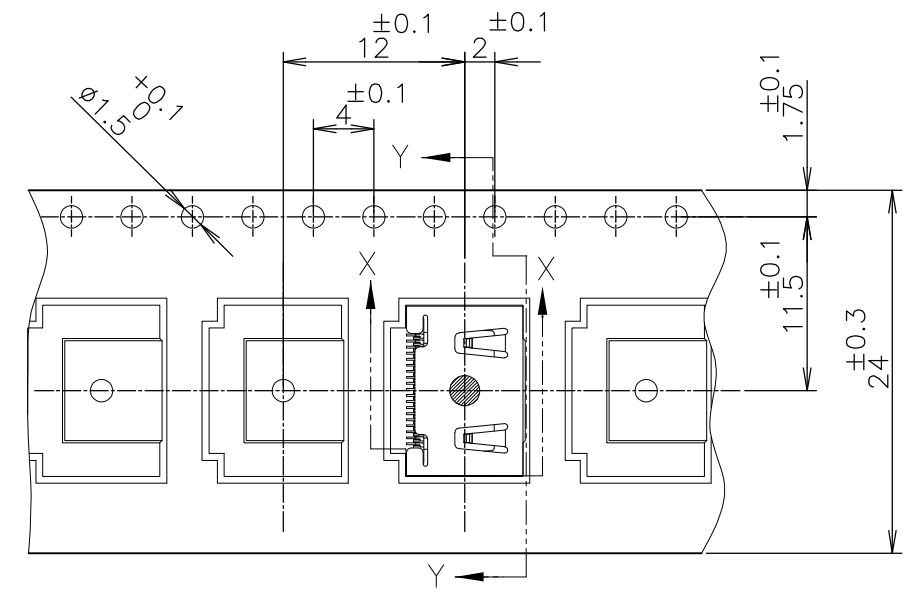


THIS DRAWING IS A CONTROLLED DOCUMENT.		DWN	<b>STE</b> TE Connectivity	
DIMENSIONS: 单位: 耗 mm		CHK		
TOLERANCES UNLESS OTHERWISE SPECIFIED: 一般公差		APVD	NAME 名称	
0 PLC ±		PRODUCT SPEC 製品規格	HDMI TYPE C RECEPTACLE CONNECTOR	
1 PLC ±		APPLICATION SPEC 取付適用規格	SIZE	CAGE CODE
2 PLC ±		MATERIAL 材料	A3	00779
3 PLC ±			DRAWING NO 番号	G-2013978
4 PLC ±		WEIGHT	RESTRICTED TO	
ANGLES ±		CUSTOMER DRAWING		SCALE 尺度 5:1
FINISH 仕上		SCALE 尺度 5:1		SHEET 4 OF 5
△		REV B1		

THIS DRAWING IS UNPUBLISHED. RELEASED FOR PUBLICATION  
 © COPYRIGHT - By - ALL RIGHTS RESERVED.

LOC	DIST	REVISIONS		
J		P	LTR	DESCRIPTION
		-		SEE SHEET 1
				DATE
				DWN
				APVD

2013978-2;AS SHOWN



THIS DRAWING IS A CONTROLLED DOCUMENT.		DWN	<b>STE</b> TE Connectivity	
DIMENSIONS: 单位: 耗 mm		CHK		
TOLERANCES UNLESS OTHERWISE SPECIFIED: 一般公差		APVD	NAME 名称	
0 PLC ±		PRODUCT SPEC 製品規格	HDMI TYPE C RECEPTACLE CONNECTOR	
1 PLC ±		APPLICATION SPEC 取付適用規格	SIZE	CAGE CODE
2 PLC ±		WEIGHT	A3	00779
3 PLC ±		CUSTOMER DRAWING	DRAWING NO 番号	RESTRICTED TO
4 PLC ±			G-2013978	
ANGLES ±			SCALE 尺度	SHEET
FINISH 仕上			5:1	5 OF 5
MATERIAL 材料			REV	B1

# Mouser Electronics

Authorized Distributor

Click to View Pricing, Inventory, Delivery & Lifecycle Information:

[TE Connectivity:](#)

[2013978-1](#)