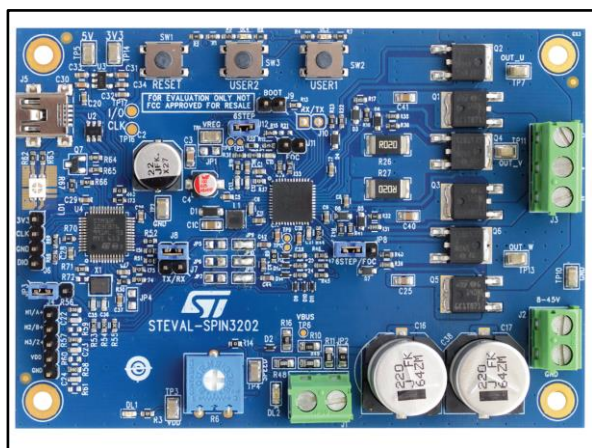


## STSPIN32F0A advanced 3-phase BLDC driver with embedded STM32 MCU single shunt evaluation board

Data brief



### Features

- Input voltage from 7 V to 45 V
- Output current up to 15 A<sub>rms</sub>
- Power stage based on STD140N6F7 MOSFETs
- Embedded 3.3 V buck regulator
- Embedded 12 V LDO regulator
- Single shunt current sensing
- Digital Hall sensors and encoder input
- Overcurrent comparator
- Bus voltage sensing
- Fully compatible with STM32 PMSM FOC software development kit
- 6-step sensorless and sensed firmware supported
- Embedded ST-LINK/V2-1
- Easy user interface with buttons and trimmer
- STM32 FW boot loader supported
- RoHS compliant

### Applications

- Smart manufacturing equipment
- Battery powered home appliances and pumps
- Fans
- Drones
- Power tools

### Description

The STEVAL-SPIN3202 three-phase brushless DC motor driver board is an evaluation board based on the STSPIN32F0A and STD140N6F7 MOSFETs. It provides an affordable and easy-to-use solution for the implementation of low voltage motor driving applications.

The board is designed for sensored or sensorless vector control - FOC and six-step algorithms with single shunt sensing.

# 1 Schematic diagrams

Figure 1: STEVAL-SPIN3202 schematic (1 of 4)

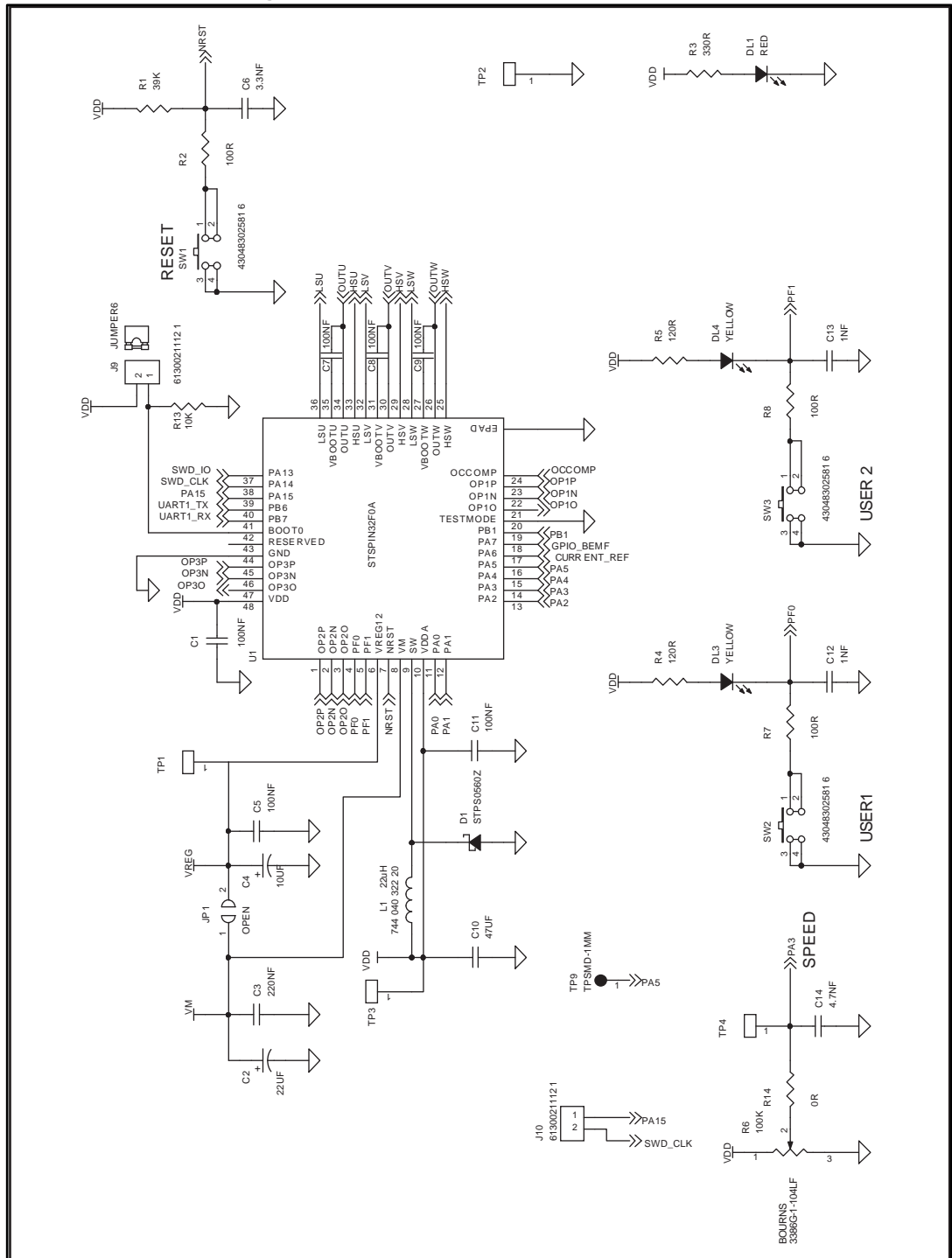


Figure 2: STEVAL-SPIN3202 schematic (2 of 4)

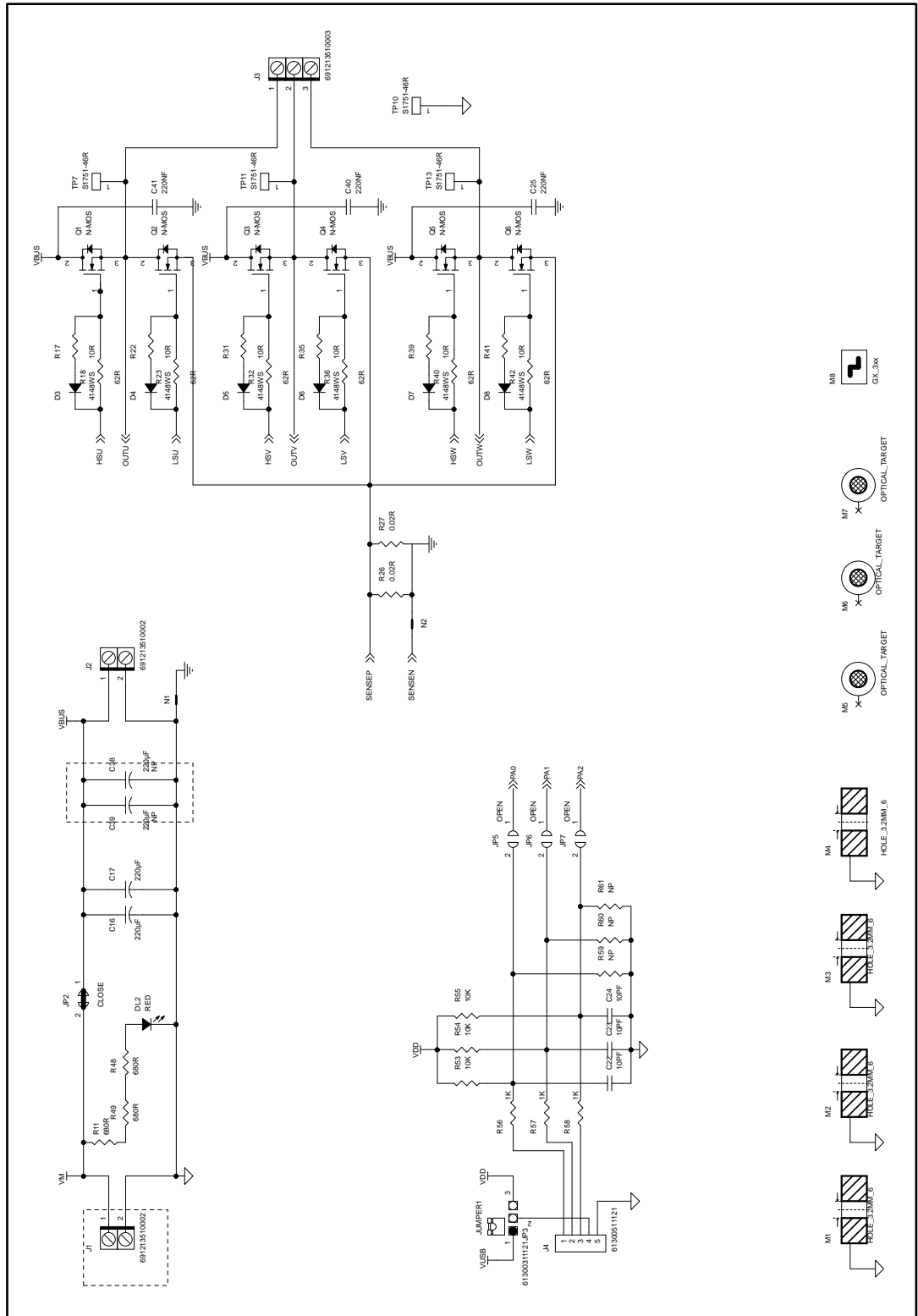


Figure 3: STEVAL-SPIN3202 schematic (3 of 4)

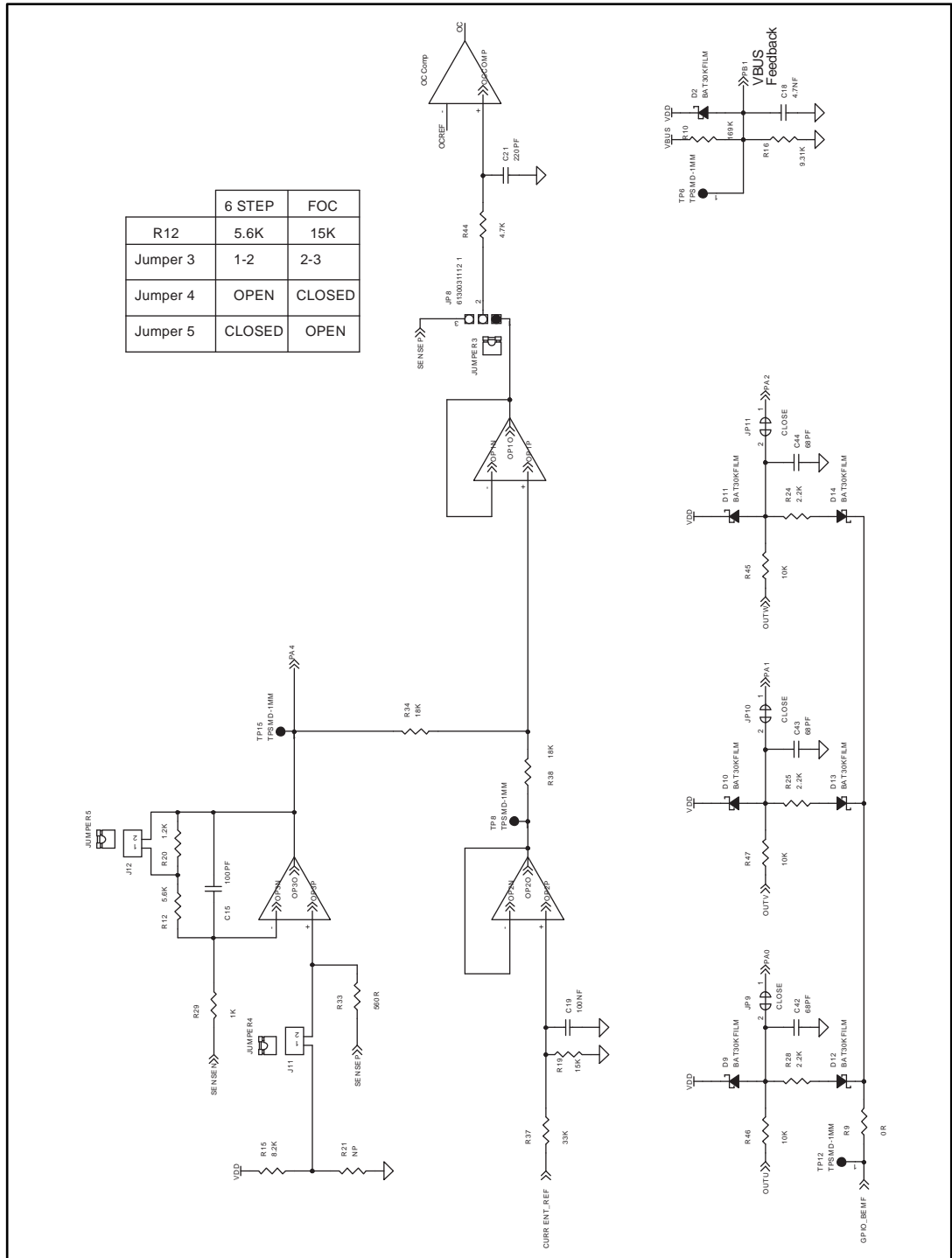
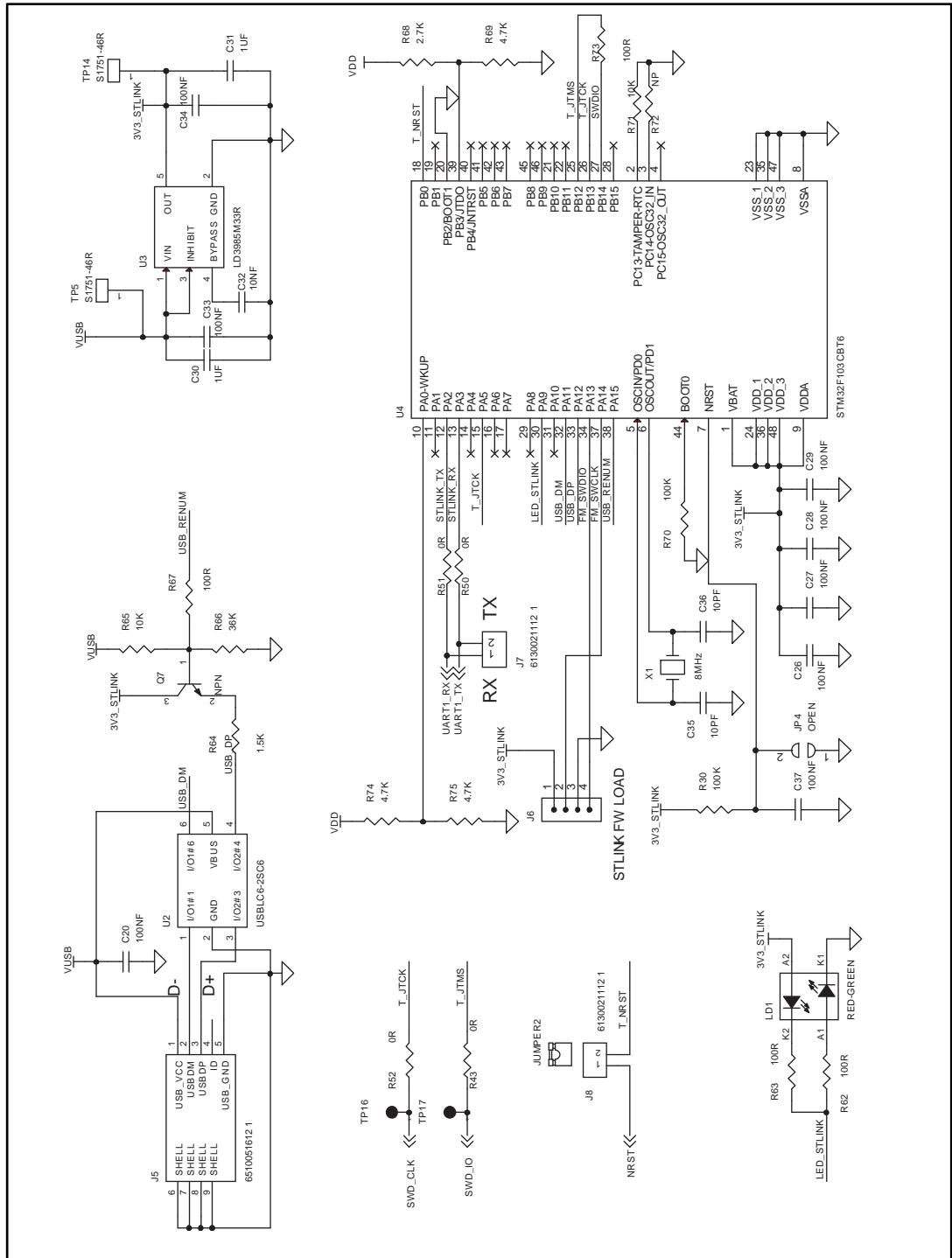


Figure 4: STEVAL-SPIN3202 schematic (4 of 4)



## 2 Revision history

Table 1: Document revision history

Date	Version	Changes
19-Sep-2017	1	Initial release.
02-Nov-2017	2	Modified title in first page

**IMPORTANT NOTICE – PLEASE READ CAREFULLY**

STMicroelectronics NV and its subsidiaries ("ST") reserve the right to make changes, corrections, enhancements, modifications, and improvements to ST products and/or to this document at any time without notice. Purchasers should obtain the latest relevant information on ST products before placing orders. ST products are sold pursuant to ST's terms and conditions of sale in place at the time of order acknowledgement.

Purchasers are solely responsible for the choice, selection, and use of ST products and ST assumes no liability for application assistance or the design of Purchasers' products.

No license, express or implied, to any intellectual property right is granted by ST herein.

Resale of ST products with provisions different from the information set forth herein shall void any warranty granted by ST for such product.

ST and the ST logo are trademarks of ST. All other product or service names are the property of their respective owners.

Information in this document supersedes and replaces information previously supplied in any prior versions of this document.

© 2017 STMicroelectronics – All rights reserved

# Mouser Electronics

Authorized Distributor

Click to View Pricing, Inventory, Delivery & Lifecycle Information:

[STMicroelectronics:](#)

[STEVAL-SPIN3202](#)