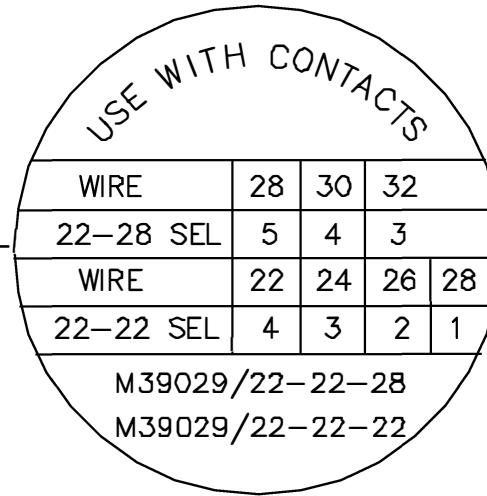
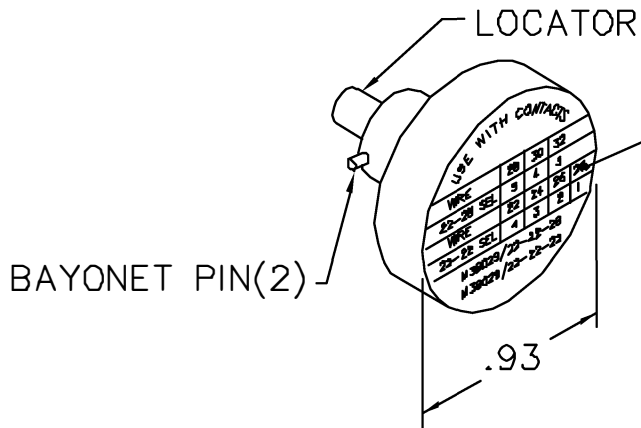
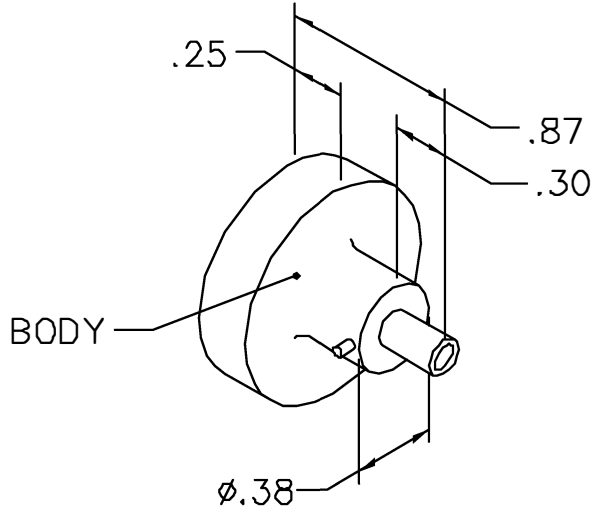


REVISIONS				
REV. SYM.	E.C.O. NUMBER	DESCRIPTION	BY DATE	APP'D DATE
2		REDRAWN	AAM 11-9-99	RRR 11-9-99

**UNCONTROLLED DOCUMENT  
WILL NOT BE UPDATED**



NOTE: FOR USE WITH DANIELS MH860 CRIMP TOOL.

LOCATOR	
HOLE DIMENSIONS	ADDITIONAL FEATURES
$\phi$ .065 $\nabla$ .156	/

**RESTRICTED & CONFIDENTIAL**

CONFIDENTIAL PROPERTY OF DANIELS MANUFACTURING CORP. NOT TO BE DISCLOSED TO OTHERS, REPRODUCED OR USED FOR ANY OTHER PURPOSE, EXCEPT AS AUTHORIZED IN WRITING BY DANIELS MANUFACTURING. MUST BE RETURNED TO DANIELS MANUFACTURING CORP. ON COMPLETION OF ORDER OR OTHER PURPOSE FOR WHICH LENT.

DO NOT SCALE DRAWING

DRN.	ASM	DATE	12-17-87
CHK'D.	TS	DATE	12-17-87
APP'D.	AAM	DATE	12-18-87
APP'D.		DATE	

**Daniel's Manufacturing Corp.**  
 DANIELS MANUFACTURING CORP.  
 ORLANDO, FLORIDA  
 CAGE 11851

TITLE			
ENVELOPE DRAWING POSITIONER (M22520/7-11)			
WHERE USED: MH860			
SIZE	SCALE	CAD P/N	SHEET OF
A	NONE	86-19-ENV	1 1
POSTING	P/N		REV.
	86-19-ENV		2

# Mouser Electronics

Authorized Distributor

Click to View Pricing, Inventory, Delivery & Lifecycle Information:

[Daniels Manufacturing:](#)

[M22520/7-11](#)