

Max. 225 m³/h

DC axial fans

□ 119 x 25 mm



- **Material:** Housing: GRP¹⁾ (PBT)
Impeller: GRP¹⁾ (PA)
 - **Direction of air flow:** Exhaust over struts
 - **Direction of rotation:** Counterclockwise, looking towards rotor
 - **Connection:** Via single wires AWG 22, TR 64
 - **Weight:** 240 g
- **Possible special versions:** (See chapter DC fans - specials)
 - Speed signal
 - Go / NoGo alarm
 - Alarm with speed limit
 - External temperature sensor
 - Internal temperature sensor
 - PWM control input
 - Analog control input
 - Moisture protection

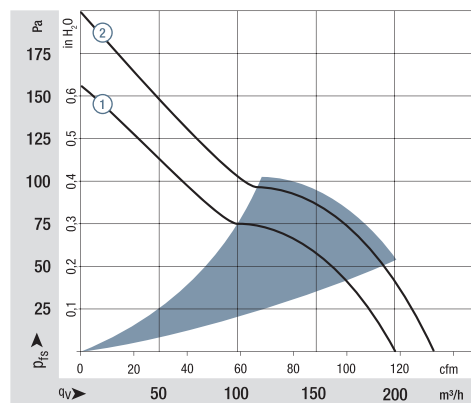
1) Fiberglass-reinforced plastic

Series 4400 FN

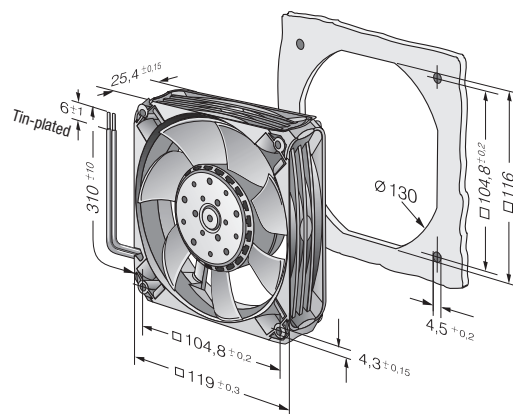
Nominal data

Type	Air flow		Nominal voltage	Voltage range	Sound pressure level	Sound power level	Sinter sleeve bearings Ball bearings	Power consumption	Nominal speed	Temperature range	Service life L ₁₀ (40 °C) ebm-papst standard	Service life L ₁₀ (T _{max}) ebm-papst standard	Life expectancy L ₁₀ IPC (40 °C) see page 17	Curve
	m ³ /h	cfm												
4412 FNH	225	132	12	9...13.2	55	6.7	■	12	5 400	-20...+70	60 000 / 30 000	102 500	102 500	②
4414 FNN	200	118	24	14...28	52	6.5	■	8.3	4 850	-20...+70	60 000 / 30 000	102 500	102 500	①
4414 FNH	225	132	24	18...26.4	55	6.7	■	12	5 400	-20...+70	60 000 / 30 000	102 500	102 500	②
4418 FNH	225	132	48	36...53	55	6.7	■	12	5 400	-20...+70	60 000 / 30 000	102 500	102 500	②

Subject to change



Air performance measured according to: ISO 5801.
Installation category A, without contact protection.
Noise: Total sound power level L_{WA} ISO 103002 measured on a hemisphere with a radius of 2 m.
Sound pressure level L_{pA} measured at 1 m distance from fan axis.
The values given are applicable only under the specified measuring conditions and may differ depending on the installation conditions.
In the event of deviation from the standard configuration, the parameters must be checked after installation!
For detailed information see <http://www.ebmpapst.com/general conditions>



Mouser Electronics

Authorized Distributor

Click to View Pricing, Inventory, Delivery & Lifecycle Information:

[ebm-papst:](#)

[4412FNH](#) [4414FNH](#) [4414FNN](#) [4418FNH](#)