

Metallized Polypropylene Film EMI Suppression Capacitors for Harsh Environmental Conditions - F862, Class X2, 310 VAC (Automotive Grade)

Overview

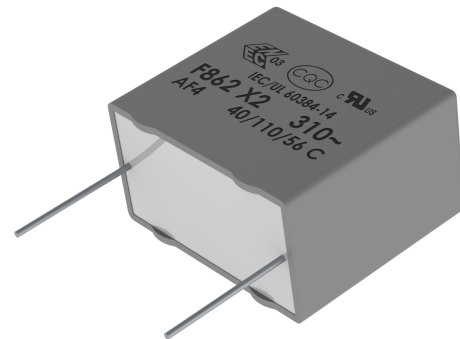
The F862 is constructed of metallized polypropylene film encapsulated with self-extinguishing resin in a box material recognized by UL 94 V-0. The F862 Series is ideal for harsh environmental conditions and meets the demanding Automotive Electronics Council's AEC-Q200 qualification requirements.

Applications

Typical applications include connection in series with the mains, capacitive power supplies and energy meters, with special emphasis in automotive applications for severe ambient conditions.

Benefits

- Approvals: ENEC, UL, cUL, CQC
- THB Grade IIB: 85°C, 85% RH, 500 hours at URAC acc. to IEC 60384-14 (not for Halogen-Free variant)
- Rated voltage: 310 VAC 50/60 Hz
- Capacitance range: 0.1 – 4.7 μ F
- Lead spacing: 15.0 – 27.5 mm
- Capacitance tolerance: \pm 20%, \pm 10%
- Climatic category: 40/110/56, IEC 60068-1
- Tape & Reel in accordance with IEC 60286-2
- RoHS compliant and lead-free terminations
- Operating temperature range of -40°C to +110°C
- 100% screening factory test at 1,900 VDC
- Qualification based on AEC-Q200 guidelines



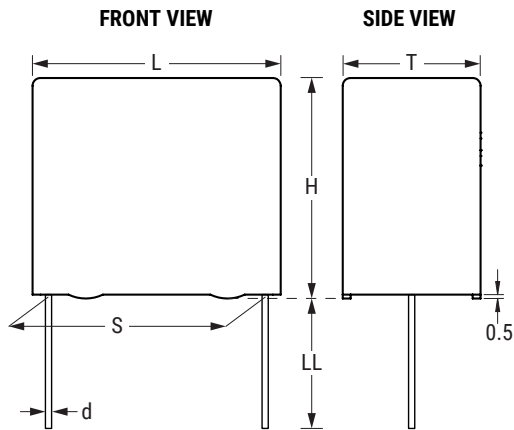
Part Number System

| F | 862 | B | C | 104 | M | 310 | C | V054 |
|-----------------|------------------------------|--------------------------------|---------------------|--|--------------------------------|---------------|----------------------------|--|
| Capacitor Class | Series | Lead Spacing (mm) | Size Code | Capacitance Code (pF) | Capacitance Tolerance | Voltage (VAC) | Packaging | C-Spec |
| F = Film | X2, Metallized Polypropylene | B = 15 D = 22.5 F = 27.5 | See Dimension Table | First two digits represent significant figures. Third digit specifies number of zeros. | K = \pm 10% M = \pm 20% | 310 | See Ordering Options Table | V054 = Standard Blank = Halogen-free, green box |

Ordering Options Table

| Lead Spacing Nominal (mm) | Type of Leads and Packaging | Lead Length (mm) | Lead and Packaging Code |
|---------------------------|--|----------------------|-------------------------|
| 15 | Standard Lead and Packaging Options | | |
| | Pizza Pack | 4+2/-0 | Z |
| | Other Lead and Packaging Options | | |
| | Pizza – Short Leads | 3.2 +0.3/-0.2 | ZL32K |
| | Bulk (Bag) – Maximum Length Leads | 25 +5/-0 | ALROL |
| | Ammo Pack | $H_0 = 18.5 \pm 0.5$ | R |
| 22.5 | Standard Lead and Packaging Options | | |
| | Pizza Pack | 4 +2/-0 | Z |
| | Pizza Pack – Long Leads | 17 +0/-1 | ZLH0J |
| | Other Lead and Packaging Options | | |
| | Pizza – Short Leads | 3.2 +0.3/-0.2 | ZL32K |
| | Pizza Pack – Max Length Leads | 25 +5/-0 | ZLR0L |
| | Ammo Pack | $H_0 = 18.5 \pm 0.5$ | R |
| 27.5 | Standard Lead and Packaging Options | | |
| | Pizza Pack | 4 +2/-0 | Z |
| | Pizza – Long Leads | 17 +0/-1 | ZLH0J |
| | Pizza – Short Leads | 3.2 +0.3/-0.2 | ZL32K |

Dimensions – Millimeters



| Size Code | S | | B | | H | | L | | d | |
|-----------|---------|-----------|---------|-----------|---------|-----------|---------|-----------|---------|-----------|
| | Nominal | Tolerance | Nominal | Tolerance | Nominal | Tolerance | Nominal | Tolerance | Nominal | Tolerance |
| BG | 15.0 | ±0.4 | 6.0 | +0/-0.5 | 12.0 | +0/-0.5 | 18.0 | +0/-0.5 | 0.8 | ±0.05 |
| BK | 15.0 | ±0.4 | 7.5 | +0/-0.5 | 13.5 | +0/-0.5 | 18.0 | +0/-0.5 | 0.8 | ±0.05 |
| BP | 15.0 | ±0.4 | 8.5 | +0/-0.5 | 14.5 | +0/-0.5 | 18.0 | +0/-0.5 | 0.8 | ±0.05 |
| BS | 15.0 | ±0.4 | 10.0 | +0/-0.5 | 16.0 | +0/-0.5 | 18.0 | +0/-0.5 | 0.8 | ±0.05 |
| BY | 15.0 | ±0.4 | 11.0 | +0/-0.5 | 19.0 | +0/-0.5 | 18.0 | +0/-0.5 | 0.8 | ±0.05 |
| BZ | 15.0 | ±0.4 | 12.0 | +0/-0.5 | 20.0 | +0/-0.5 | 18.0 | +0/-0.5 | 0.8 | ±0.05 |
| DB | 22.5 | ±0.4 | 6.0 | +0/-0.5 | 14.5 | +0/-0.5 | 26.0 | +0/-0.5 | 0.8 | ±0.05 |
| DI | 22.5 | ±0.4 | 7.0 | +0/-0.5 | 16.0 | +0/-0.5 | 26.0 | +0/-0.5 | 0.8 | ±0.05 |
| DJ | 22.5 | ±0.4 | 8.5 | +0/-0.5 | 17.0 | +0/-0.5 | 26.0 | +0/-0.5 | 0.8 | ±0.05 |
| DO | 22.5 | ±0.4 | 10.0 | +0/-0.5 | 18.5 | +0/-0.5 | 26.0 | +0/-0.5 | 0.8 | ±0.05 |
| DP | 22.5 | ±0.4 | 11.0 | +0/-0.5 | 20.0 | +0/-0.5 | 26.0 | +0/-0.5 | 0.8 | ±0.05 |
| DU | 22.5 | ±0.4 | 13.0 | +0/-0.5 | 22.0 | +0/-0.5 | 26.0 | +0/-0.5 | 0.8 | ±0.05 |
| FC | 27.5 | ±0.4 | 11.0 | +0/-0.7 | 20.0 | +0/-0.7 | 31.5 | +0/-0.7 | 0.8 | ±0.05 |
| FI | 27.5 | ±0.4 | 13.0 | +0/-0.7 | 25.0 | +0/-0.7 | 31.5 | +0/-0.7 | 0.8 | ±0.05 |
| FN | 27.5 | ±0.4 | 14.0 | +0/-0.7 | 28.0 | +0/-0.7 | 31.5 | +0/-0.7 | 0.8 | ±0.05 |
| FS | 27.5 | ±0.4 | 19.0 | +0/-0.7 | 29.0 | +0/-0.7 | 31.5 | +0/-0.7 | 0.8 | ±0.05 |
| FY | 27.5 | ±0.4 | 22.0 | +0/-0.7 | 37.0 | +0/-0.7 | 31.5 | +0/-0.7 | 0.8 | ±0.05 |

Note: See Ordering Options Table for lead length (LL/H₀) options.

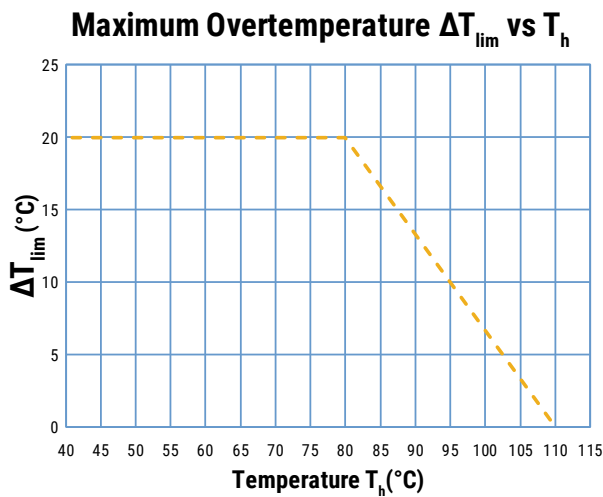
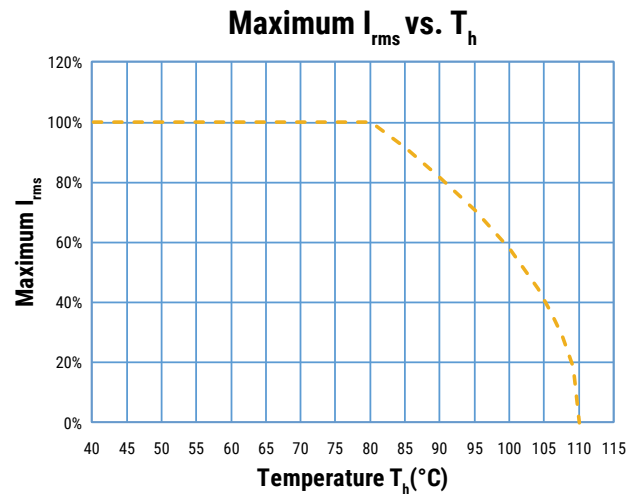
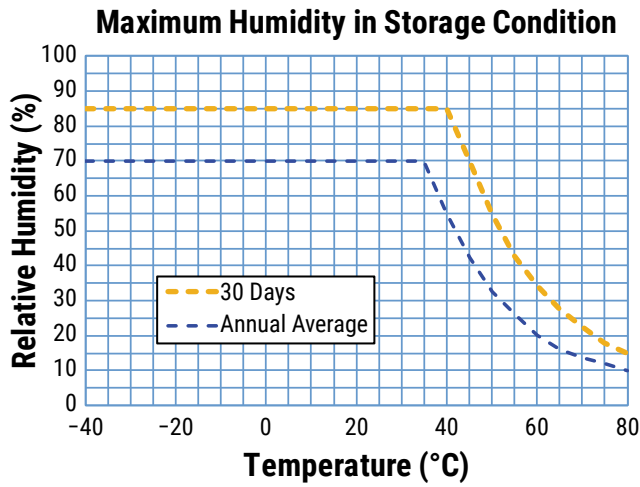
Qualification

Automotive grade products meet or exceed the requirements outlined by the Automotive Electronics Council. Details regarding test methods and conditions are referenced in document AEC-Q200, Stress Test Qualification for Passive Components. For additional information regarding the Automotive Electronics Council and AEC-Q200, please visit their website at www.aecouncil.com.

Performance Characteristics

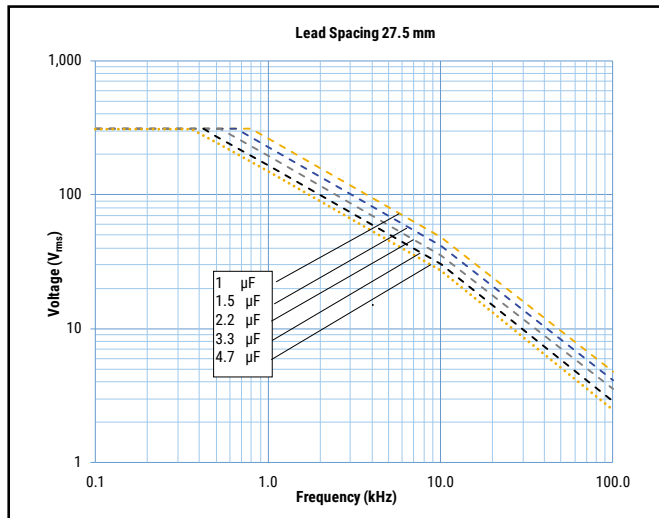
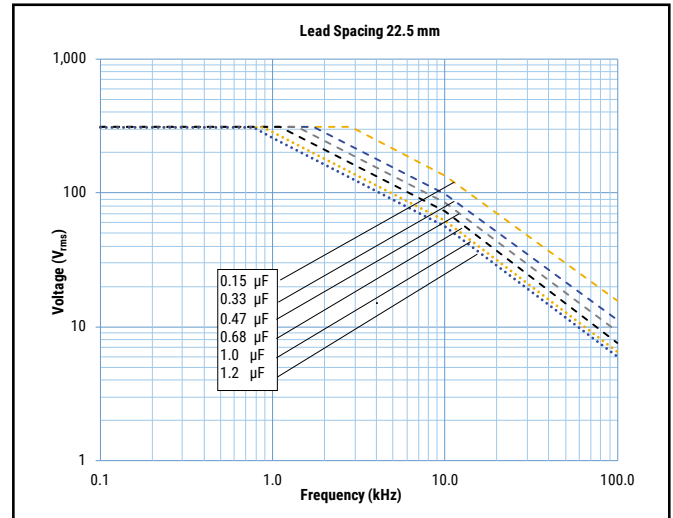
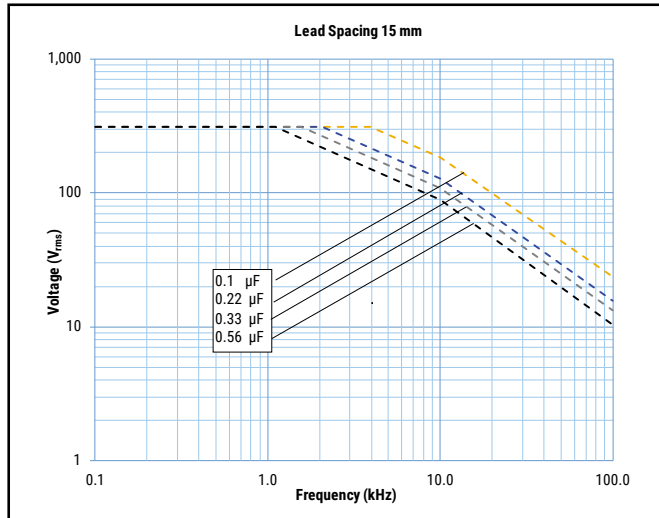
| | | | |
|--------------------------------|---|------------------------------------|-----------------|
| Rated Voltage | 310 VAC 50/60 Hz | | |
| Capacitance Range | 0.1 – 4.7 μ F | | |
| Capacitance Tolerance | \pm 20%, \pm 10% | | |
| Temperature Range | -40°C to +110°C | | |
| Climatic Category | 40/110/56 | | |
| Storage Conditions | Storage time: \leq 24 months from the date marked on the label package Average relative humidity per year \leq 70% RH \leq 85% for 30 days randomly distributed throughout the year Dew is absent Temperature: -40 to 80°C (see "Maximum Humidity in Storage Conditions" graph below) | | |
| Approvals | ENEC, UL, cUL, CQC | | |
| Dissipation Factor | Maximum Values at +23°C | | |
| | | C \leq 0.1 μ F | C > 0.1 μ F |
| | 1 kHz | 0.3% | 0.2% |
| Test Voltage Between Terminals | The 100% screening factory test is carried out at 1,900 VDC. The voltage level is selected to meet the requirements in applicable equipment standards. All electrical characteristics are checked after the test. It is not permitted to repeat this test as there is a risk of damage to the capacitor. KEMET is not liable in such case for any failures. | | |
| Insulation Resistance | Minimum Values Between Terminals | | |
| | C \leq 0.33 μ F | \geq 30,000 M Ω | |
| | C > 0.33 μ F | \geq 10,000 M Ω · μ F | |
| In DC Applications | Recommended voltage \leq 630 VDC | | |

Performance Characteristics cont.



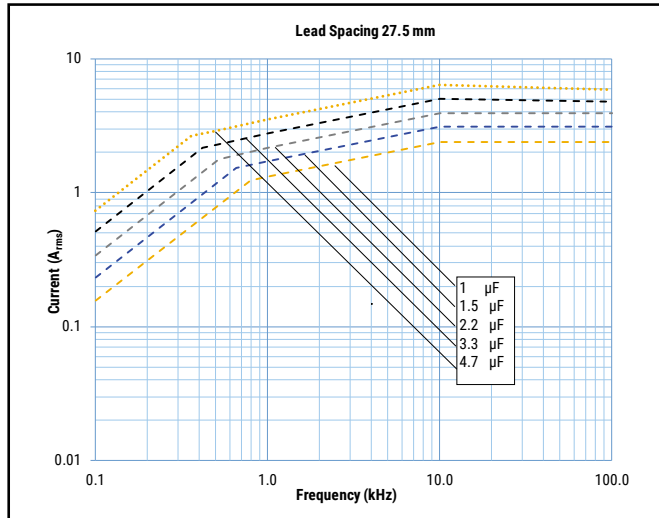
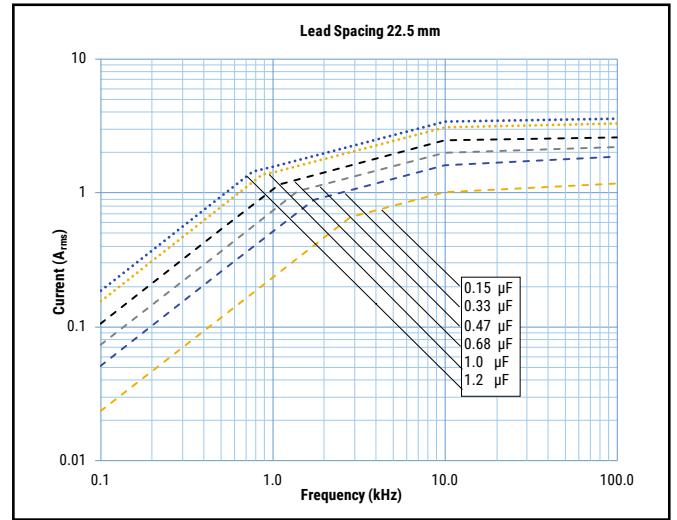
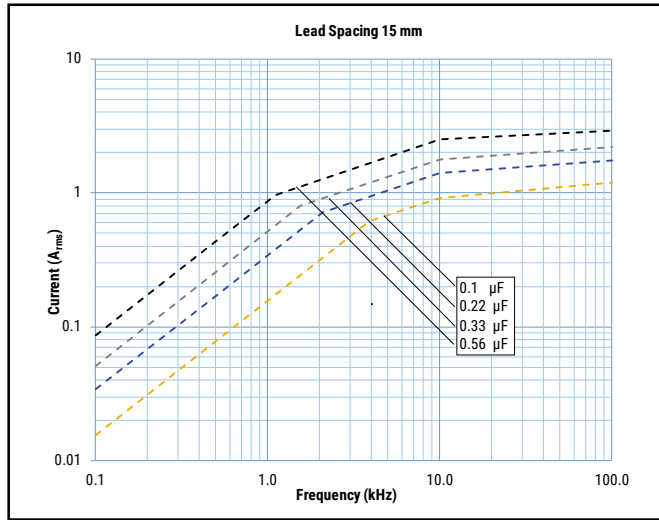
T_h is the maximum ambient temperature surrounding the capacitor or hottest contact point (e.g. tracks), whichever is higher, in the worst operation conditions in °C.

Maximum Voltage (V_{rms}) Versus Frequency (Sinusoidal Waveform/ $T_h \leq 80^\circ\text{C}$)



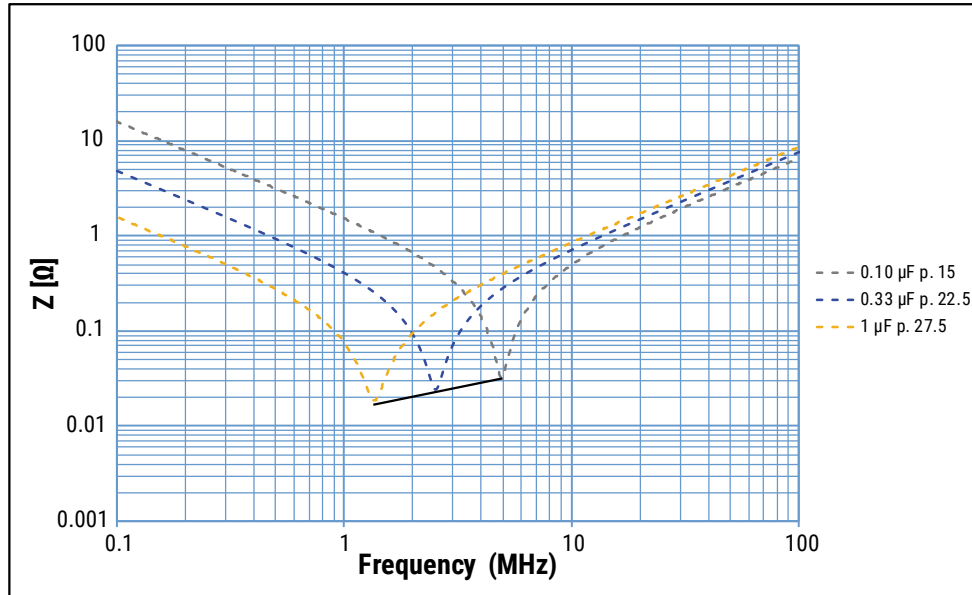
All the curves are evaluated in accordance to the datasheet declarations and considering an environmental condition as Dry Condition. If your environment is too harsh in terms of temperature and relative humidity, please contact KEMET for any kind of information.

Maximum Current (A_{rms}) Versus Frequency (Sinusoidal Waveform/ $T_h \leq 80^\circ C$)



All the curves are evaluated in accordance to the datasheet declarations and considering an environmental condition as Dry Condition. If your environment is too harsh in terms of temperature and relative humidity, please contact KEMET for any kind of information.

Impedance Graph



Environmental Test Data

| Test | Publication | Procedure |
|---|------------------------|--|
| Endurance | IEC 60384-14 | 1.25 x V_R VAC 50 Hz, once every hour increase to 1,000 VAC for 0.1 second, 1,000 hours at upper rated temperature |
| Vibration | IEC 60068-2-6 Test Fc | 3 directions at 2 hours each 10 – 55 Hz at 0.75 mm or 98 m/s ² |
| Bump | IEC 60068-2-29 Test Eb | 1,000 bumps at 390 m/s ² |
| Temperature Cycling | JESD22-MethodJA-104 | 1,000 cycles (-55°C to 85°C) Note: If 100°C or 125°C part the 1,000 cycles will be at that temperature rating. Measurement at 24 ±4 hours after test conclusion. 30 minute maximum dwell time at each temperature extreme. 1 minute maximum transition time. |
| Active Flammability | IEC 60384-14 | V_R + 20 surge pulses at 2.5 kV (pulse every 5 seconds) |
| Passive Flammability | IEC 60384-14 | IEC 60384-1, IEC 60695-11-5 Needle-flame test |
| Biased Humidity | MIL-STD-202 Method 103 | 1,000 hours 40°C/93%RH. Rated voltage. Measurement at 24 ±2 hours after test conclusion. |
| THB Test 1 Not for halogen-free variant. | | 85°C, 85% RH and 240 VAC, 1,000 hours Capacitance change ($\Delta C/C$): ≤ 10% Dissipation factor change ($\Delta \tan \delta$): ≤ 5 * 10 ⁻³ (at 1 kHz) Insulation resistance R_{ins} or time constant $\tau = CR$ R_{ins} : ≥ 50% of initial limit |
| THB Test 2 Not for halogen-free variant. | | 85°C, 85% RH and 310 VAC, 500 hours Capacitance change ($\Delta C/C$): ≤ 10% Dissipation factor change ($\Delta \tan \delta$): ≤ 5 * 10 ⁻³ (at 1 kHz) Insulation resistance R_{ins} or time constant $\tau = CR$ R_{ins} : ≥ 50% of initial limit |

Approvals

| Mark | Specification | File Number |
|------|-----------------------------------|--|
| | EN/IEC 60384-14 | CA08.00203 |
| | UL 60384-14 and CAN/CSA-E60384-14 | E97797 |
| | IEC 60384-14 | CQC17001166651 CQC17001166767 CQC17001167225 CQC17001167220 CQC17001166886 CQC17001167231 |

Environmental Compliance

All KEMET EMI capacitors in green boxes are RoHS compliant and Halogen-Free.



With C-Spec V054

All KEMET EMI capacitors are RoHS compliant.



Table 1 – Ratings & Part Number Reference

| Capacitance Value (μF) | Size Code | Dimensions in mm | | | Lead Spacing (p) | dV/dt (V/μs) | Part Number |
|------------------------|-----------|------------------|--------|--------|------------------|--------------|-------------------------|
| | | B | H | L | | | |
| 0.1 | BK | 7.5 | 13.5 | 18.0 | 15.0 | 400 | F862BK104(1)310(2) V054 |
| 0.15 | BK | 7.5 | 13.5 | 18.0 | 15.0 | 400 | F862BK154(1)310(2) V054 |
| 0.22 | BP | 8.5 | 14.5 | 18.0 | 15.0 | 400 | F862BP224(1)310(2) V054 |
| 0.33 | BS | 10.0 | 16.0 | 18.0 | 15.0 | 400 | F862BS334(1)310(2) V054 |
| 0.39 | BS | 10.0 | 16.0 | 18.0 | 15.0 | 400 | F862BS394(1)310(2) V054 |
| 0.47 | BY | 11.0 | 19.0 | 18.0 | 15.0 | 400 | F862BY474(1)310(2) V054 |
| 0.56 | BZ | 12.0 | 20.0 | 18.0 | 15.0 | 400 | F862BZ564(1)310(2) V054 |
| 0.15 | DB | 6.0 | 14.5 | 26.0 | 22.5 | 200 | F862DB154(1)310(2) V054 |
| 0.22 | DI | 7.0 | 16.0 | 26.0 | 22.5 | 200 | F862DI224(1)310(2) V054 |
| 0.33 | DJ | 8.5 | 17.0 | 26.0 | 22.5 | 200 | F862DJ334(1)310(2) V054 |
| 0.39 | DJ | 8.5 | 17.0 | 26.0 | 22.5 | 200 | F862DJ394(1)310(2) V054 |
| 0.47 | DO | 10.0 | 18.5 | 26.0 | 22.5 | 200 | F862DO474(1)310(2) V054 |
| 0.56 | DO | 10.0 | 18.5 | 26.0 | 22.5 | 200 | F862DO564(1)310(2) V054 |
| 0.68 | DP | 11.0 | 20.0 | 26.0 | 22.5 | 200 | F862DP684(1)310(2) V054 |
| 0.82 | DP | 11.0 | 20.0 | 26.0 | 22.5 | 200 | F862DP824(1)310(2) V054 |
| 1.0 | DU | 13.0 | 22.0 | 26.0 | 22.5 | 200 | F862DU105(1)310(2) V054 |
| 1.2 | DU | 13.0 | 22.0 | 26.0 | 22.5 | 200 | F862DU125(1)310(2) V054 |
| 1.0 | FC | 11.0 | 20.0 | 31.5 | 27.5 | 150 | F862FC105(1)310(2) V054 |
| 1.5 | FI | 13.0 | 25.0 | 31.5 | 27.5 | 150 | F862FI155(1)310(2) V054 |
| 2.2 | FN | 14.0 | 28.0 | 31.5 | 27.5 | 150 | F862FN225(1)310(2) V054 |
| 3.3 | FS | 19.0 | 29.0 | 31.5 | 27.5 | 150 | F862FS335(1)310(2) V054 |
| 4.7 | FY | 22.0 | 37.0 | 31.5 | 27.5 | 150 | F862FY475(1)310(2) V054 |
| Capacitance Value (μF) | Size Code | B (mm) | H (mm) | L (mm) | Lead Spacing (p) | dV/dt (V/μs) | Part Number |

(1) M = ±20%, K = ±10%.

(2) Insert lead and packaging code. See Ordering Options Table for available options.

Soldering Process

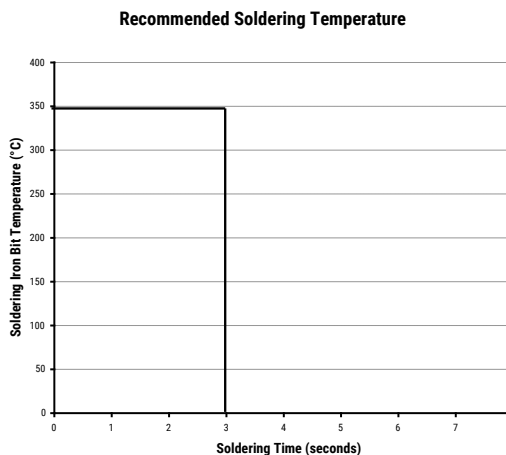
The implementation of the RoHS directive has resulted in the selection of SnAgCu (SAC) alloys or SnCu alloys as primary solder. This has increased the liquidus temperature from that of 183°C for SnPb eutectic alloy to 217 – 221°C for the new alloys. As a result, the heat stress to the components, even in wave soldering, has increased considerably due to higher pre-heat and wave temperatures. Polypropylene capacitors are especially sensitive to heat (the melting point of polypropylene is 160 – 170°C). Wave soldering can be destructive, especially for mechanically small polypropylene capacitors (with lead spacing of 5 mm to 15 mm), and great care has to be taken during soldering. The recommended solder profiles from KEMET should be used. Please consult KEMET with any questions. In general, the wave soldering curve from IEC Publication 61760-1 Edition 2 serves as a solid guideline for successful soldering. Please see Figure 1.

Reflow soldering is not recommended for through-hole film capacitors. Exposing capacitors to a soldering profile in excess of the above the recommended limits may result to degradation or permanent damage to the capacitors.

Do not place the polypropylene capacitor through an adhesive curing oven to cure resin for surface mount components. Insert through-hole parts after the curing of surface mount parts. Consult KEMET to discuss the actual temperature profile in the oven, if through-hole components must pass through the adhesive curing process. A maximum two soldering cycles is recommended. Please allow time for the capacitor surface temperature to return to a normal temperature before the second soldering cycle.

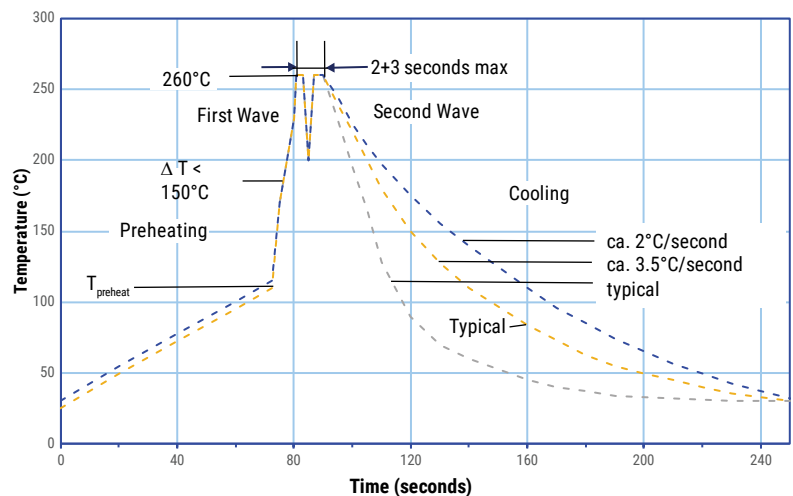
Manual Soldering Recommendations

Following is the recommendation for manual soldering with a soldering iron.



The soldering iron tip temperature should be set at 350°C (+10°C maximum), with the soldering duration not to exceed more than 3 seconds.

Wave Soldering Recommendations



Soldering Process cont.

Wave Soldering Recommendations cont.

1. The table indicates the maximum set-up temperature of the soldering process
 Figure 1.

| Dielectric Film Material | Maximum Preheat Temperature | | Maximum Peak Soldering Temperature | |
|--------------------------|-----------------------------|-------------------------|------------------------------------|-------------------------|
| | Capacitor Pitch ≤ 15 mm | Capacitor Pitch > 15 mm | Capacitor Pitch ≤ 15 mm | Capacitor Pitch > 15 mm |
| Polyester | 130°C | 130°C | 270°C | 270°C |
| Polypropylene | 110°C | 130°C | 260°C | 270°C |
| Paper | 130°C | 140°C | 270°C | 270°C |
| Polyphenylene Sulphide | 150°C | 160°C | 270°C | 270°C |

2. The maximum temperature measured inside the capacitor:

Set the temperature so that inside the element the maximum temperature is below the limit:

| Dielectric Film Material | Maximum temperature measured inside the element |
|--------------------------|---|
| Polyester | 160°C |
| Polypropylene | 110°C |
| Paper | 160°C |
| Polyphenylene Sulphide | 160°C |



Temperature monitored inside the capacitor.

Selective Soldering Recommendations

Selective dip soldering is a variation of reflow soldering. In this method, the printed circuit board with through-hole components to be soldered is preheated and transported over the solder bath as in normal flow soldering without touching the solder. When the board is over the bath, it is stopped and pre-designed solder pots are lifted from the bath with molten solder only at the places of the selected components, and pressed against the lower surface of the board to solder the components.

The temperature profile for selective soldering is similar to the double wave flow soldering outlined in this document, **however, instead of two baths, there is only one bath with a time from 3 to 10 seconds.** In selective soldering, the risk of overheating is greater than in double wave flow soldering, and great care must be taken so that the parts are not overheated.

Mounting

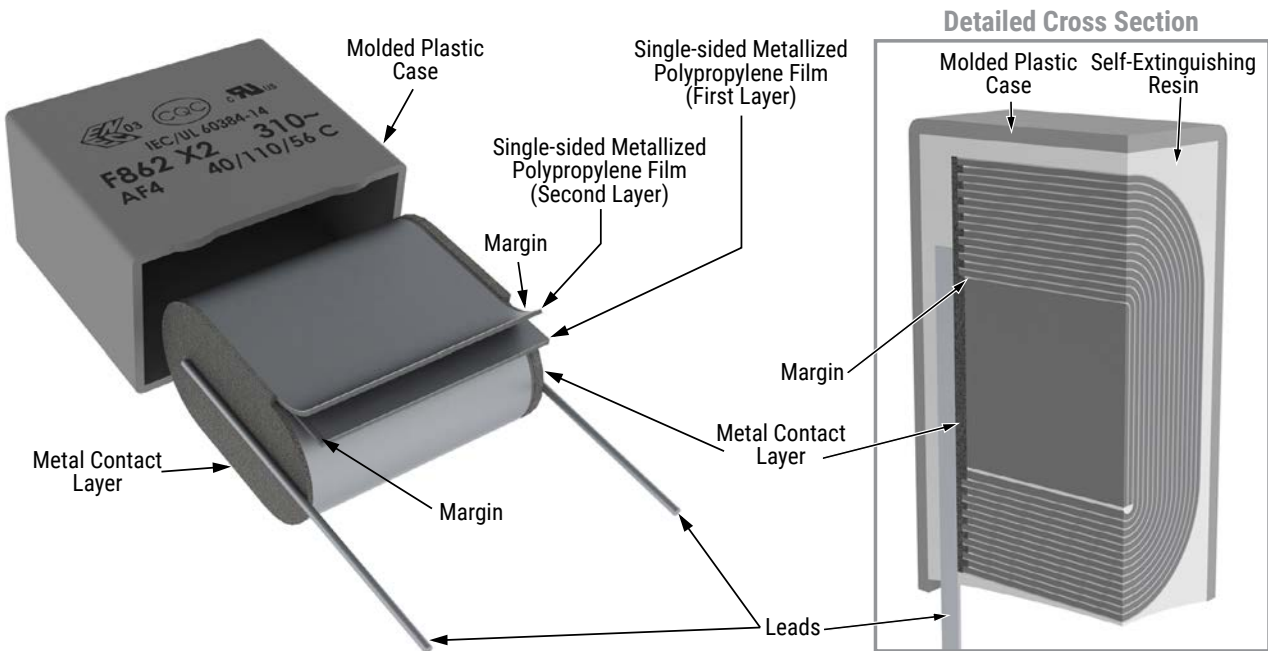
Resistance to Vibration and Mechanical Shock

AEC-Q200 Mechanical Stress Tests:

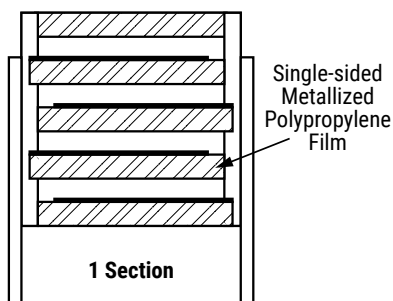
| | | |
|-------------------------|-------------------------------|---|
| Mechanical Shock | MIL-STD-202 Method 213 | Test condition C Peak value 100 g, duration 6 ms, half-sine-wave (see MIL-HDBK for details) |
| Vibration | MIL-STD-202 Method 204 | 5 g for 20 minutes, 12 cycles each of 3 orientations Use 8"X5" PCB, 0.031" thick. 7 secure points on one 8" side and 2 secure points at corners of opposite sides. Parts mounted within 2" from any secure point. Test from 10 – 2,000 Hz. |

The capacitors are designed for PCB mounting. The stand-off pipes must be in good contact with the printed circuit board. The capacitors with pitch ≤ 22.5 mm can be mechanically fixed by the leads, for pitch > 22.5 mm, the capacitor body has to be properly fixed (e.g. clamped or glued).

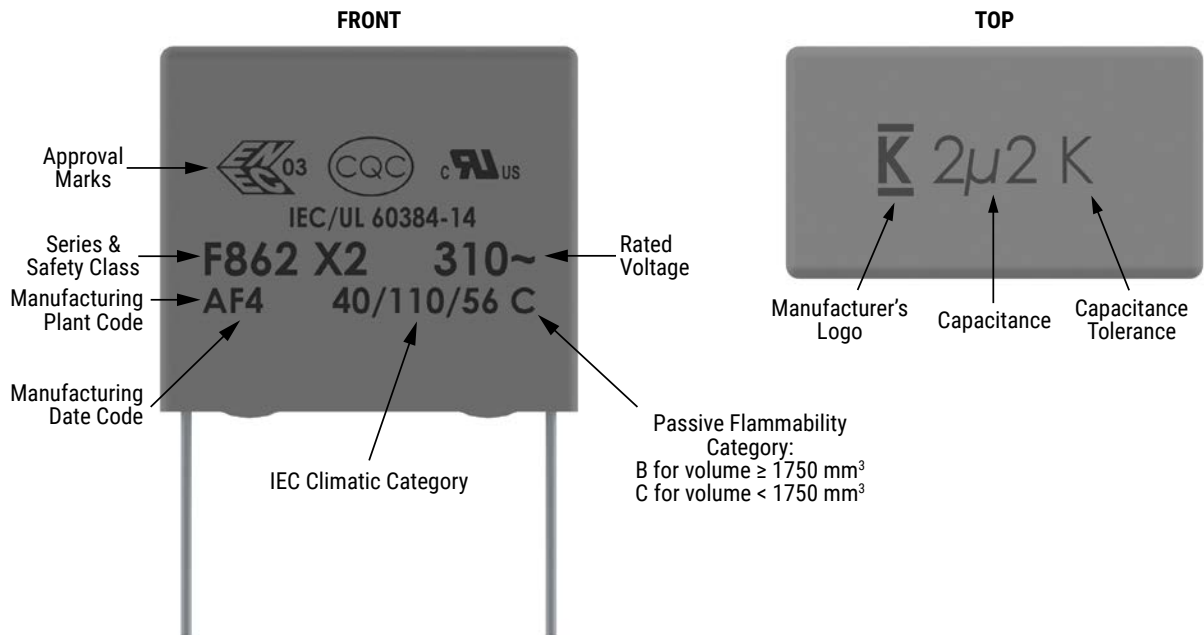
Construction



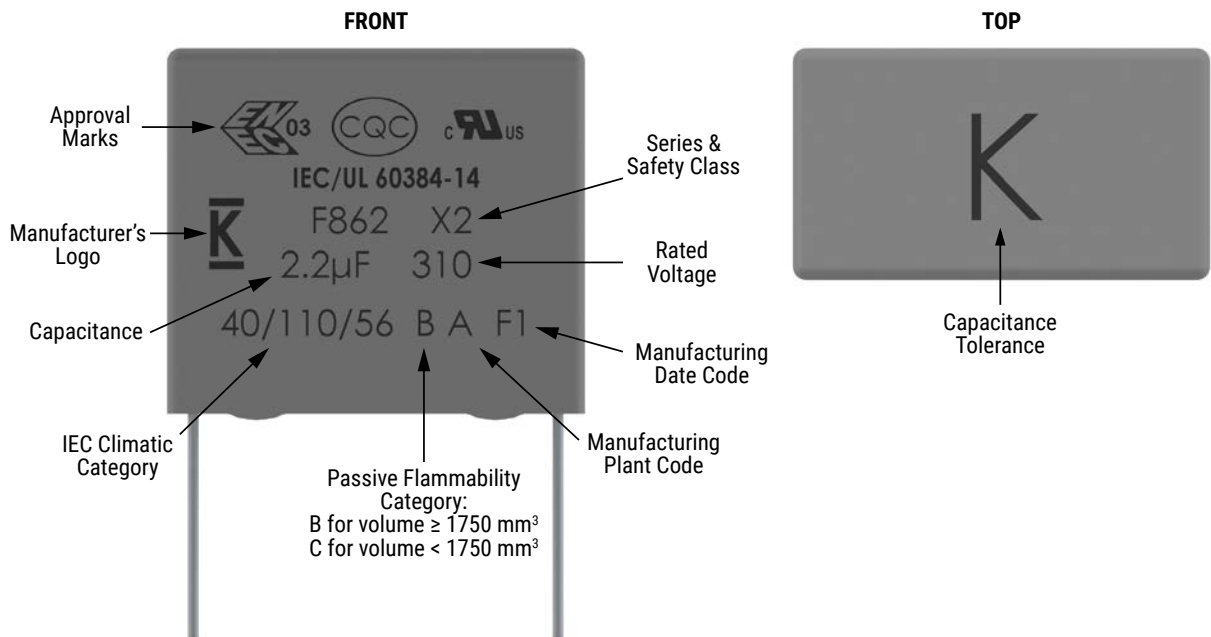
Winding Scheme



Marking



OR



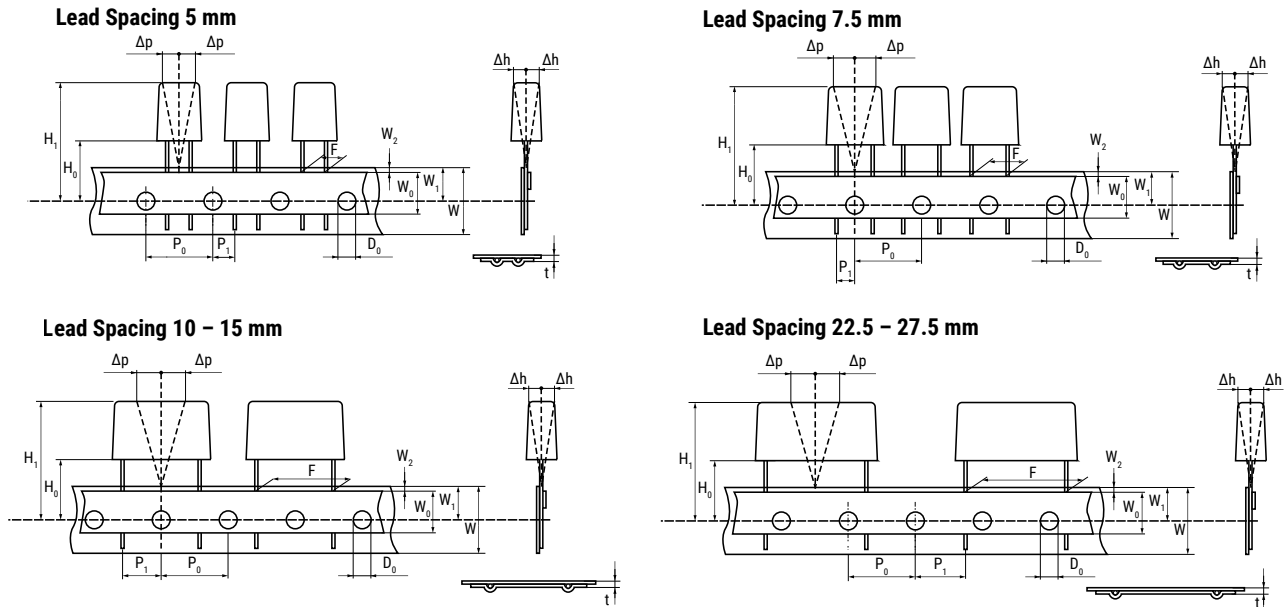
Manufacturing Date Code (IEC-60062)

| Y = Year, Z = Month | | | | | |
|---------------------|------|------|------|-----------|------|
| Year | Code | Year | Code | Month | Code |
| 2010 | A | 2022 | P | January | 1 |
| 2011 | B | 2023 | R | February | 2 |
| 2012 | C | 2024 | S | March | 3 |
| 2013 | D | 2025 | T | April | 4 |
| 2014 | E | 2026 | U | May | 5 |
| 2015 | F | 2027 | V | June | 6 |
| 2016 | H | 2028 | W | July | 7 |
| 2017 | J | 2029 | X | August | 8 |
| 2018 | K | 2030 | A | September | 9 |
| 2019 | L | | | October | 0 |
| 2020 | M | | | November | N |
| 2021 | N | | | December | D |

Packaging Quantities

| Size Code | Lead Spacing | Thickness (mm) | Height (mm) | Length (mm) | Bulk Short Leads | Bulk Long Leads | Ammo | Pizza |
|-----------|--------------|----------------|-------------|-------------|------------------|-----------------|------|-------|
| BG | 15 | 6 | 12 | 18 | 1,750 | 1,000 | 680 | 935 |
| BK | | 7.5 | 13.5 | 18 | 1,000 | 800 | 500 | 748 |
| BP | | 8.5 | 14.5 | 18 | 1,000 | 650 | 440 | 663 |
| BS | | 10 | 16 | 18 | 750 | 550 | 380 | 561 |
| BY | | 11 | 19 | 18 | 450 | 400 | 340 | 510 |
| BZ | | 12 | 20 | 18 | 350 | 300 | 330 | 459 |
| DB | 22.5 | 6 | 14.5 | 26 | 805 | 450 | 464 | 660 |
| DI | | 7 | 16 | 26 | 700 | 450 | 380 | 564 |
| DJ | | 8.5 | 17 | 26 | 450 | 350 | 280 | 468 |
| DO | | 10 | 18.5 | 26 | 360 | 350 | 235 | 396 |
| DP | | 11 | 20 | 26 | 300 | 200 | 217 | 360 |
| DU | | 13 | 22 | 26 | 230 | 150 | 200 | 300 |
| FC | 27.5 | 11.0 | 20.0 | 31.5 | | | | 300 |
| FI | | 13.0 | 25.0 | 31.5 | | | | 250 |
| FN | | 14.0 | 28.0 | 31.5 | | | | 230 |
| FS | | 19.0 | 29.0 | 31.5 | | | | 170 |
| FY | | 22.0 | 37.0 | 31.5 | | | | 150 |

Lead Taping & Packaging (IEC 60286-2)



Taping Specification

| Dimensions in mm | | | | | | | | | Standard IEC 60286-2 |
|---------------------------|---------------------|-------------------------------|----------------------|----------------------|----------------------|----------------------|----------------------|----------------------|-------------------------|
| Lead Spacing | +0.6/-0.1 | F | 5 | 7.5 | 10 | 15 | 22.5 | 27.5 | F |
| Carrier Tape Width | +1/-0.5 | W | 18 | 18 | 18 | 18 | 18 | 18 | 18 ^{+1/-0.5} |
| Hold-down Tape Width | Minimum | W ₀ | 6 | 6 | 9 | 10 | 10 | 10 | |
| Position of Sprocket Hole | ±0.5 | W ₁ | 9 | 9 | 9 | 9 | 9 | 9 | 9 ^{+0.75/-0.5} |
| Distance Between Tapes | Maximum | W ₂ | 3 | 3 | 3 | 3 | 3 | 3 | 3 |
| Sprocket Hole Diameter | ±0.2 | D ₀ | 4 | 4 | 4 | 4 | 4 | 4 | 4 |
| Feed Hole Lead Spacing | ±0.2 ⁽¹⁾ | P ₀ ⁽³⁾ | 12.7 | 12.7 | 12.7 | 12.7 | 12.7 | 12.7 | 12.7 |
| Distance Lead – Feed Hole | ±0.7 | P ₁ | 3.85 | 3.75 | 7.7 | 5.2 | 7.8 | 5.3 | P ¹ |
| Deviation Tape – Plane | Maximum | Δp | 1.3 | 1.3 | 1.3 | 1.3 | 1.3 | 1.3 | 1.3 |
| Lateral Deviation | ±2 | Δh | 2 | 2 | 2 | 2 | 2 | 2 | 2 |
| Total Thickness | ±0.2 | t | 0.7 | 0.7 | 0.7 | 0.7 | 0.9 ^{MAX} | 0.9 ^{MAX} | 0.9 ^{MAX} |
| Sprocket Hole/Cap Body | ±0.5 | H ₀ ⁽²⁾ | 18.5 ^{±0.5} | 18.5 ^{±0.5} | 18.5 ^{±0.5} | 18.5 ^{±0.5} | 18.5 ^{±0.5} | 18.5 ^{±0.5} | 18 ^{+2/-0} |

(1) Maximum cumulative feed hole error, 1 mm per 20 parts.

(2) 16.5 mm available on request.

(3) 15 mm available on request (F ≥ 10 mm).

Lead Taping & Packaging (IEC 60286-2) cont.

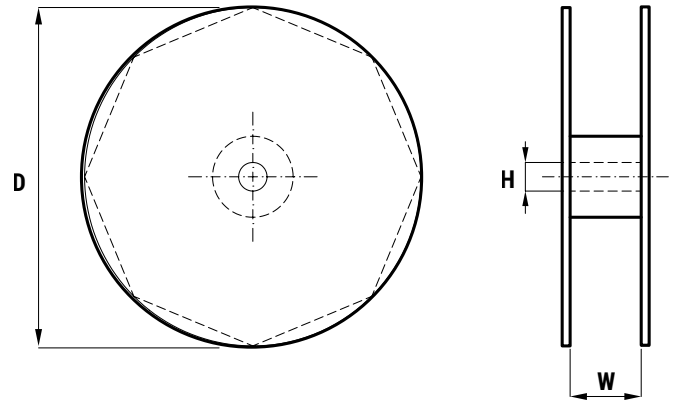
Ammo Specifications

| Series | Dimensions (mm) | | |
|------------------------|-----------------|-----|----|
| | H | W | T |
| R4x, R4x+R, R7x, RSB | 360 | 340 | 59 |
| F5A, F5B, F5D | | | |
| F6xx, F8xx | | | |
| PHExxx, PMExxx, PMRxxx | 330 | 330 | 50 |



Reel Specifications

| Series | Dimensions (mm) | | |
|------------------------|-----------------|----|-----------------|
| | D | H | W |
| R4x, R4x+R, R7x, RSB | 355 500 | 30 | 55 |
| F5A, F5B, F5D | | 25 | (maximum) |
| F6xx, F8xx | | | |
| PHExxx, PMExxx, PMRxxx | 360 500 | 30 | 46 (maximum) |



KEMET Electronics Corporation Sales Offices

For a complete list of our global sales offices, please visit www.kemet.com/sales.

Disclaimer

All product specifications, statements, information and data (collectively, the "Information") in this datasheet are subject to change. The customer is responsible for checking and verifying the extent to which the Information contained in this publication is applicable to an order at the time the order is placed. All Information given herein is believed to be accurate and reliable, but it is presented without guarantee, warranty, or responsibility of any kind, expressed or implied.

Statements of suitability for certain applications are based on KEMET Electronics Corporation's ("KEMET") knowledge of typical operating conditions for such applications, but are not intended to constitute – and KEMET specifically disclaims – any warranty concerning suitability for a specific customer application or use. The Information is intended for use only by customers who have the requisite experience and capability to determine the correct products for their application. Any technical advice inferred from this Information or otherwise provided by KEMET with reference to the use of KEMET's products is given gratis, and KEMET assumes no obligation or liability for the advice given or results obtained.

Although KEMET designs and manufactures its products to the most stringent quality and safety standards, given the current state of the art, isolated component failures may still occur. Accordingly, customer applications which require a high degree of reliability or safety should employ suitable designs or other safeguards (such as installation of protective circuitry or redundancies) in order to ensure that the failure of an electrical component does not result in a risk of personal injury or property damage.

Although all product-related warnings, cautions and notes must be observed, the customer should not assume that all safety measures are indicated or that other measures may not be required.

KEMET is a registered trademark of KEMET Electronics Corporation.

Mouser Electronics

Authorized Distributor

Click to View Pricing, Inventory, Delivery & Lifecycle Information:

KEMET:

[F862DJ334K310ZLH0J](#) [F862BK104K310ALR0L](#) [F862BK124K310ALR0L](#) [F862BK154K310ALR0L](#)
[F862BP184K310ALR0L](#) [F862BP224K310ALR0L](#) [F862BS334K310ALR0L](#) [F862BS394K310ALR0L](#)
[F862BY474K310ALR0L](#) [F862BZ564K310ALR0L](#) [F862DB154K310ZLH0J](#) [F862DI224K310ZLH0J](#)
[F862DJ394K310ZLH0J](#) [F862DO474K310ZLH0J](#) [F862DO564K310ZLH0J](#) [F862DP684K310ZLH0J](#)
[F862DP824K310ZLH0J](#) [F862DU105K310ZLH0J](#) [F862DU125K310ZLH0J](#) [F862BP224K310Z](#) [F862BY474K310Z](#)
[F862BZ564K310Z](#) [F862BK104K310Z](#) [F862BK154K310Z](#) [F862BS334K310Z](#) [F862FS335K310Z](#)
[F862FN225K310ZLH0J](#) [F862FY475K310ZLH0J](#) [F862FS335K310ZLH0J](#) [F862FI155K310ZLH0J](#)
[F862FC105K310ZLH0J](#) [F862DJ334K310R](#) [F862DI224K310R](#) [F862DO474K310Z](#) [F862BY474K310R](#)
[F862BK104K310R](#) [F862DO474K310R](#) [F862DU105K310Z](#) [F862BS334K310R](#) [F862FN225K310Z](#) [F862BP224K310R](#)
[F862BP184K310Z](#) [F862DP824K310R](#) [F862BK154K310R](#) [F862BZ564K310R](#) [F862DO564K310Z](#)
[F862DP684K310R](#) [F862DP684K310Z](#) [F862DP824K310Z](#) [F862DU125K310Z](#) [F862DI224K310Z](#) [F862BP184K310R](#)
[F862DJ334K310Z](#) [F862FY475M310Z](#) [F862DJ394K310Z](#) [F862DJ394K310R](#) [F862DB154K310R](#) [F862DB154K310Z](#)
[F862DO564K310R](#) [F862BK124K310R](#) [F862BS394K310R](#) [F862BK124K310Z](#) [F862BS334K310ZL32K](#)
[F862DU125K310ZL32K](#) [F862DJ394K310ZL32K](#) [F862DO474K310ZL32K](#) [F862DO564K310ZL32K](#)
[F862DP824K310ZL32K](#) [F862DB154K310ZL32K](#) [F862BP184K310ZL32K](#) [F862BP224K310ZL32K](#)
[F862BS394K310ZL32K](#) [F862BK104K310ZL32K](#) [F862DJ334K310ZL32K](#) [F862DP684K310ZL32K](#)
[F862DI224K310ZL32K](#) [F862DU105K310ZL32K](#) [F862BK154K310ZL32K](#) [F862BZ564K310ZL32K](#) [F862BS394K310Z](#)
[F862BY474K310ZL32K](#) [F862BK124K310ZL32K](#) [F862BK104M310Z](#) [F862DO474K310ZV054](#) [F862BS334K310ZV054](#)
[F862BS394K310ZV054](#) [F862DJ334K310ZV054](#) [F862DU105K310ZV054](#) [F862DU125K310ZV054](#)
[F862FI155K310ZV054](#) [F862BK154K310ZV054](#) [F862BZ564K310ZV054](#) [F862BP224K310ZV054](#)
[F862FC105K310ZV054](#) [F862DB154K310ZV054](#) [F862BK104K310ZV054](#) [F862DP684K310ZV054](#)
[F862FY475K310ZV054](#) [F862DJ394K310ZV054](#) [F862DO564K310ZV054](#)