

TMC 81C 05A - Thermomagnetic device circuit breaker



2907562

<https://www.phoenixcontact.com/us/products/2907562>

Please be informed that the data shown in this PDF document is generated from our online catalog. Please find the complete data in the user documentation. Our general terms of use for downloads are valid.

Thermomagnetic device circuit breaker, number of positions: 1, cross section: 1 mm²- 35 mm², AWG: 18 - 2, mounting type: DIN rail: 35 mm



Commercial data

Item number	2907562
Packing unit	1 pc
Note	Made to order (non-returnable)
Sales key	CL08
Product key	CLA125
GTIN	4055626214948
Weight per piece (including packing)	134.69 g
Weight per piece (excluding packing)	134.69 g
Customs tariff number	85362010
Country of origin	CN

TMC 81C 05A - Thermomagnetic device circuit breaker



2907562

<https://www.phoenixcontact.com/us/products/2907562>

Technical data

Product properties

Product type	Thermomagnetic device circuit breakers
Product family	TMC 8
Type	DIN rail module, one-piece
Number of positions	1
Mechanical service life	20000

Electrical properties

Service life electrical	6000
-------------------------	------

General

Operating voltage	120 V AC (277 V AC)
	60 V DC
Rated current I_N	5 A
Tripping method	TM (thermomagnetic)
Rated short-circuit switching capacity I_{cn}	10 kA (IC)
Fuse	C

Connection data

Conductor cross section rigid	1 mm ² ... 35 mm ²
Cross section AWG	18 ... 2 (converted acc. to IEC)
Conductor cross section flexible	1 mm ² ... 35 mm ²
Connection method	Screw connection
Tightening torque, min	2 Nm
Stripping length	11 mm ... 12 mm
Conductor cross section flexible max.	35 mm ²
Conductor cross section, rigid max.	35 mm ²

Dimensions

Dimensional drawing	
Width	17.6 mm
Height	116 mm
Depth	75.9 mm (incl. DIN rail 7.5 mm)

Material specifications

Color	light grey (RAL 7035)
	gray (RAL 7042)

Environmental and real-life conditions

TMC 81C 05A - Thermomagnetic device circuit breaker



2907562

<https://www.phoenixcontact.com/us/products/2907562>

Ambient conditions

Ambient temperature (operation)	-35 °C ... 70 °C
Humidity test	48 h, 95% RH, 40°C (IEC 60068-2-78)
Shock (operation)	30g (11 ms) (IEC 60068-2-11)
Vibration (operation)	±0.38 mm (10-57 Hz), 5g (57...500 Hz) (IEC 60068-2-6, Fc, sine)

Standards and regulations

Standards/specifications	UL 489
	IEC 60947-2

Mounting

Mounting type	DIN rail: 35 mm
---------------	-----------------

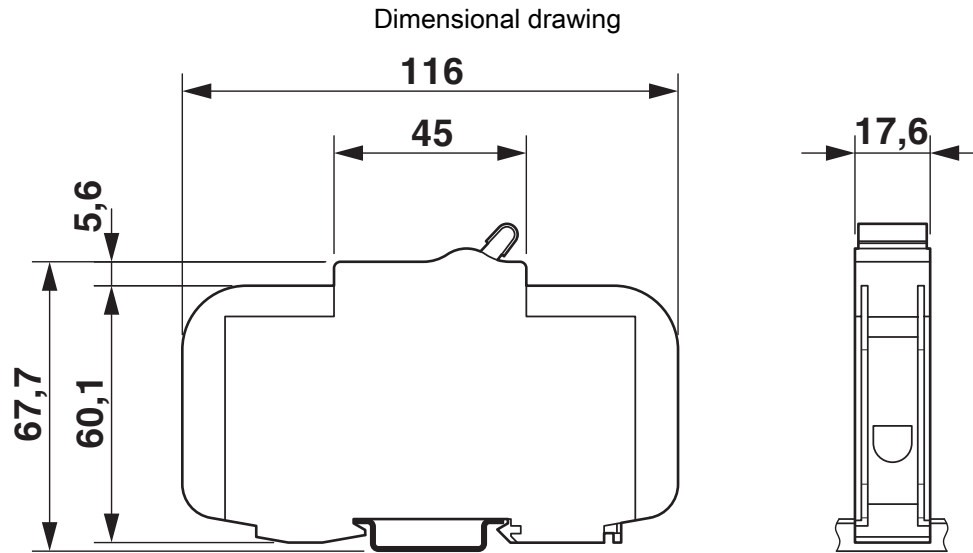
TMC 81C 05A - Thermomagnetic device circuit breaker



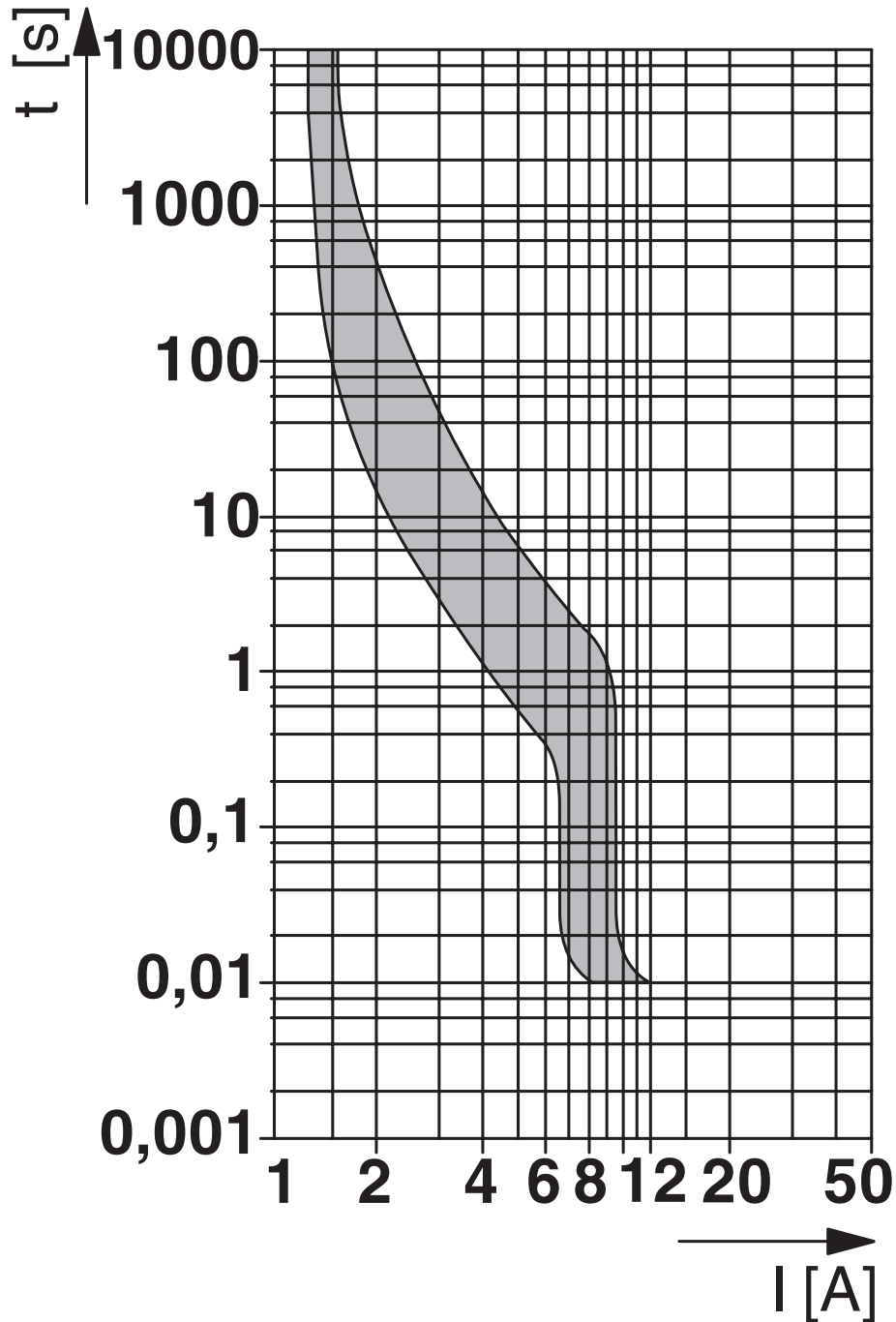
2907562

<https://www.phoenixcontact.com/us/products/2907562>

Drawings



Diagram



TMC 81C 05A - Thermomagnetic device circuit breaker



2907562

<https://www.phoenixcontact.com/us/products/2907562>

Approvals

To download certificates, visit the product detail page: <https://www.phoenixcontact.com/us/products/2907562>



UL Listed

Approval ID: FILE E 320373



cUL Listed

Approval ID: FILE E 320373



TÜV Rheinland

Approval ID: R 50531587

cULus Listed

TMC 81C 05A - Thermomagnetic device circuit breaker



2907562

<https://www.phoenixcontact.com/us/products/2907562>

Classifications

ECLASS

ECLASS-11.0	27141116
ECLASS-12.0	27141116
ECLASS-13.0	27140401

ETIM

ETIM 8.0	EC000899
----------	----------

UNSPSC

UNSPSC 21.0	39121400
-------------	----------

TMC 81C 05A - Thermomagnetic device circuit breaker



2907562

<https://www.phoenixcontact.com/us/products/2907562>

Environmental product compliance

EU RoHS

Fulfills EU RoHS substance requirements	Yes, No exemptions
---	--------------------

China RoHS

Environment friendly use period (EFUP)	EFUP-E
	No hazardous substances above the limits

EU REACH SVHC

REACH candidate substance (CAS No.)	No substance above 0.1 wt%
-------------------------------------	----------------------------

TMC 81C 05A - Thermomagnetic device circuit breaker



2907562

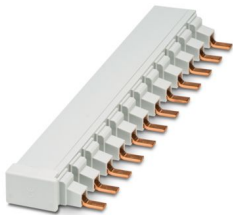
<https://www.phoenixcontact.com/us/products/2907562>

Accessories

TMC 8 B1 80 57 C - Wiring bridge

2907991

<https://www.phoenixcontact.com/us/products/2907991>

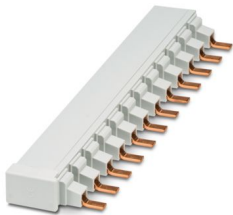


Bus bar for TMC 81... circuit breakers (single phase). 17.8 mm pitch, up to 57 positions. Rated for 80 A (end feed) 1000 V AC/DC. UL 508 Listed for connection of UL 489 rated circuit breakers.

TMC 8 B1 80 37 CA - Wiring bridge

2907992

<https://www.phoenixcontact.com/us/products/2907992>



Bus bar for TMC 81... circuit breakers (single phase) with auxilliary switch module. 27 mm pitch, up to 37 positions. Rated for 80 A (end feed) 1000 V AC/DC. UL 508 Listed for connection of UL 489 rated circuit breakers.

TMC 81C 05A - Thermomagnetic device circuit breaker



2907562

<https://www.phoenixcontact.com/us/products/2907562>

TMC 8 B TERM PIN - Terminal adapter

2907998

<https://www.phoenixcontact.com/us/products/2907998>

Feeder terminal adapter for TMC 8..... circuit breaker bus bars. Rated for 1000 V AC/DC, 115 A. Wire range 14...2 AWG. UL Listed for connection to UL 489 rated circuit breakers.



TMC 8 B END CAP - Wiring bridge end cover

2907999

<https://www.phoenixcontact.com/us/products/2907999>

Protective end covers for TMC 8 bus bars



TMC 81C 05A - Thermomagnetic device circuit breaker



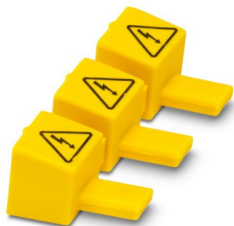
2907562

<https://www.phoenixcontact.com/us/products/2907562>

TMC 8 B BUS CAP - Protective cover

2908000

<https://www.phoenixcontact.com/us/products/2908000>



Protective covers for TMC 8 bus bars. Cuttable, three positions, yellow.

TMC 7/8 AUX - Thermomagnetic device circuit breaker

2908219

<https://www.phoenixcontact.com/us/products/2908219>



Thermomagnetic device circuit breaker, number of positions: 1, connection method: Screw, cross section: 1 mm²- 35 mm², AWG: 18 - 2, mounting type: Snaps on to side of circuit breaker

TMC 81C 05A - Thermomagnetic device circuit breaker



2907562

<https://www.phoenixcontact.com/us/products/2907562>

TMC 7/8 ALARM - Thermomagnetic device circuit breaker

2908220

<https://www.phoenixcontact.com/us/products/2908220>



Thermomagnetic device circuit breaker, number of positions: 1, connection method: Screw, cross section: 1 mm²- 35 mm², AWG: 18 - 2, mounting type: Snaps on to side of circuit breaker

TMC 7/8 12VDC SHNT - Thermomagnetic device circuit breaker

2908221

<https://www.phoenixcontact.com/us/products/2908221>



Thermomagnetic device circuit breaker, number of positions: 1, connection method: Screw, cross section: 1 mm²- 35 mm², AWG: 18 - 2, mounting type: Snaps on to side of circuit breaker

TMC 81C 05A - Thermomagnetic device circuit breaker



2907562

<https://www.phoenixcontact.com/us/products/2907562>

TMC 7/8 24VDC SHNT - Thermomagnetic device circuit breaker

2908222

<https://www.phoenixcontact.com/us/products/2908222>



Thermomagnetic device circuit breaker, number of positions: 1, connection method: Screw, cross section: 1 mm²- 35 mm², AWG: 18 - 2, mounting type: Snaps on to side of circuit breaker

TMC 7/8 48VDC SHNT - Thermomagnetic device circuit breaker

2908224

<https://www.phoenixcontact.com/us/products/2908224>



Thermomagnetic device circuit breaker, number of positions: 1, connection method: Screw, cross section: 1 mm²- 35 mm², AWG: 18 - 2, mounting type: Snaps on to side of circuit breaker

TMC 81C 05A - Thermomagnetic device circuit breaker



2907562

<https://www.phoenixcontact.com/us/products/2907562>

TMC 7/8 125VDC SHNT - Thermomagnetic device circuit breaker

2908225

<https://www.phoenixcontact.com/us/products/2908225>



Thermomagnetic device circuit breaker, number of positions: 1, connection method: Screw, cross section: 1 mm²- 35 mm², AWG: 18 - 2, mounting type: Snaps on to side of circuit breaker

TMC 7/8 120VAC SHNT - Thermomagnetic device circuit breaker

2908226

<https://www.phoenixcontact.com/us/products/2908226>



Thermomagnetic device circuit breaker, number of positions: 1, connection method: Screw, cross section: 1 mm²- 35 mm², AWG: 18 - 2, mounting type: Snaps on to side of circuit breaker

TMC 81C 05A - Thermomagnetic device circuit breaker



2907562

<https://www.phoenixcontact.com/us/products/2907562>

TMC 7/8 240VAC SHNT - Thermomagnetic device circuit breaker

2908227

<https://www.phoenixcontact.com/us/products/2908227>



Thermomagnetic device circuit breaker, number of positions: 1, connection method: Screw, cross section: 1 mm²- 35 mm², AWG: 18 - 2, mounting type: Snaps on to side of circuit breaker

TMC 7/8 277VAC SHNT - Thermomagnetic device circuit breaker

2908228

<https://www.phoenixcontact.com/us/products/2908228>



Thermomagnetic device circuit breaker, number of positions: 1, connection method: Screw, cross section: 1 mm²- 35 mm², AWG: 18 - 2, mounting type: Snaps on to side of circuit breaker

TMC 81C 05A - Thermomagnetic device circuit breaker



2907562

<https://www.phoenixcontact.com/us/products/2907562>

EML (10X4)R - Label

0815583

<https://www.phoenixcontact.com/us/products/0815583>



Label, Roll, white, unlabeled, can be labeled with: THERMOMARK E.300 (D)/600 (D), THERMOMARK ROLL 2.0, THERMOMARK ROLL, THERMOMARK ROLL X1, THERMOMARK ROLLMASTER 300/600, THERMOMARK X1.2, mounting type: adhesive, lettering field size: 10 x 4 mm, Number of individual labels: 10000

TML (104X3,8)R - Marker strip

0801833

<https://www.phoenixcontact.com/us/products/0801833>



Marker strip, Roll, white, unlabeled, can be labeled with: THERMOMARK E.300 (D)/600 (D), THERMOMARK ROLL 2.0, THERMOMARK ROLL, THERMOMARK ROLL X1, THERMOMARK ROLLMASTER 300/600, THERMOMARK X1.2, mounting type: adhesive, for terminal block width: 104 mm, lettering field size: 104 x 3.8 mm, Number of individual labels: 2500

TMC 81C 05A - Thermomagnetic device circuit breaker



2907562

<https://www.phoenixcontact.com/us/products/2907562>

SZK PZ2 VDE - Screwdriver

1206463

<https://www.phoenixcontact.com/us/products/1206463>



Screwdriver, PZ crosshead, VDE insulated, size: PZ 2 x 100 mm, 2-component grip, with non-slip grip

Phoenix Contact 2024 © - all rights reserved

<https://www.phoenixcontact.com>

Phoenix Contact USA
586 Fulling Mill Road
Middletown, PA 17057, United States
(+717) 944-1300
info@phoenixcon.com