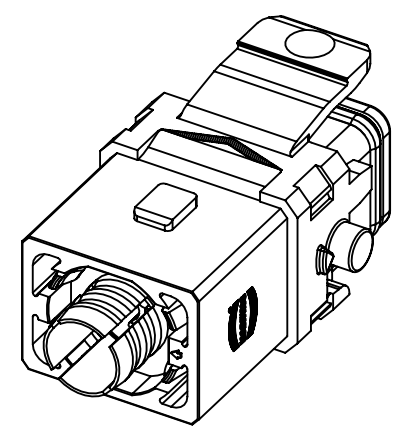


order contacts separately

wire gauge	part-no.
AWG 28-24	09 67 000 7476
AWG 26-22	09 67 000 5476
AWG 24-20	09 67 000 8476
AWG 22-18	09 67 000 3476



	All rights reserved Department EL PD	All Dimensions in mm Original Size DIN A4		Scale 2:1	Free size tol.		Ref. Sub.
		HARTING Electric GmbH & Co. KG D-32339 Espelkamp	Created by ROEBEN	Inspected by LOETKEMANN	Standardisation 302077	Date 2020-11-19	State Final Release
Title Han 1A-M12-f D-coded, latch						Doc-Key / ECM-Nr. 100761136/UGD/001/G 500000183756	
Type TB				Number 09 10 004 3101		Rev. G	Page 1/1