



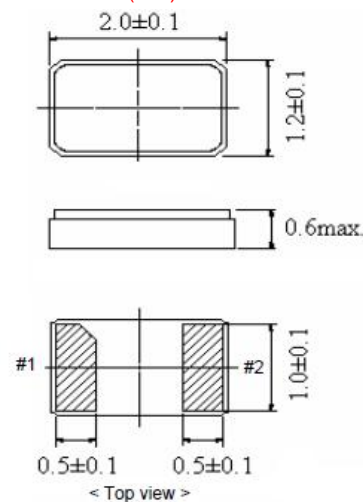
## Quartz Crystal

32,768 kHz

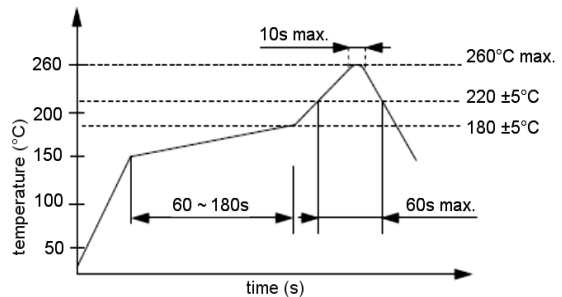
SMD-version

model	KX-327RT
frequency	32,768 kHz
operating temperature	-40° ~ +85°C
frequency tolerance (df/F) at +25°C ± 3°C	± 20 ppm
temperature tolerance (parabolic coefficient) at -40° ~ +85°C	-0,03 ppm ± 0,01/°C <sup>2</sup> typ.
turnover temperature	+25°C ± 5°C
storage temperature range	-55°C ~ +125°C
turnover temperature	+25°C ± 5°C
load capacitance C <sub>L</sub>	12,5 pF ± 1,0 pF
motional capacitance( C <sub>1</sub> )	7,0 pF typ.
series resonance R <sub>1</sub> max.	60k Ohm typ., 70k Ohm max.
aging (df/F) ( first year ) at 25°C ± 3°C	± 5 ppm
shunt capacitance C <sub>0</sub>	1,3 pF typ.
drive level in μW max.	0,5 μW typ.
reflow soldering condition	10 seconds at +260°C max.
RoHS	according to RoHS 2011/65/EU
contents of reel	3000 pcs.
part no.	12.87160

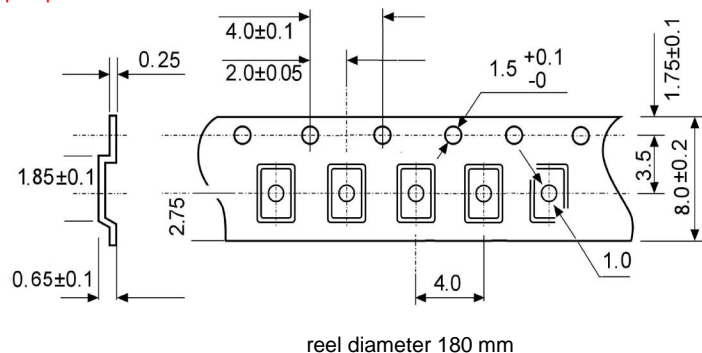
**Dimensions (mm):**



**Reflow soldering condition:**



**Tape specification:**



**Suggested soldering pad:**

