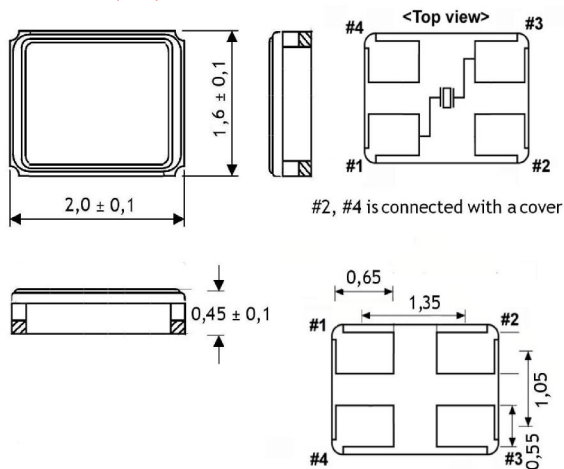


## Quartz Crystal

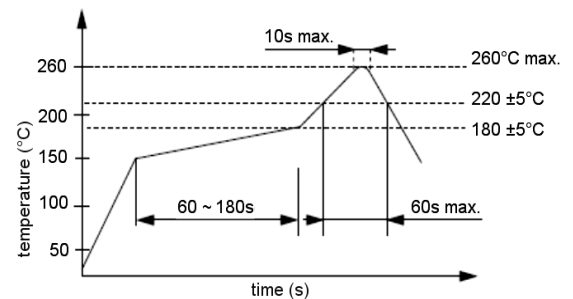
SMD-version

part no.	12.85509
model	KX – 5
frequency	20.0 MHz
mode	fundamental
operating temperature	-20° ~ +70°C
frequency tolerance at +25°C	±30 ppm
temperature tolerance -20° ~ +70°C	±50 ppm
load capacitance $C_L$	8 pF
series resistance R1 max.	120 Ohm
aging at +25°C (first year) max.	±2 ppm
shunt capacitance $C_O$ max.	3.5 pF
drive level	50 $\mu$ W typ., 100 $\mu$ W max.
contents of reel	1000 pcs.

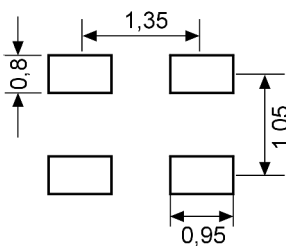
### Dimensions (mm):



### Reflow soldering condition:



### Suggested soldering pad:



### Tape specifications:

