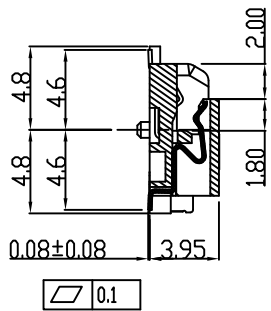
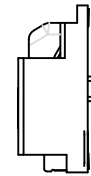


SECTION A-A



DATE CODE: 0163 (YWW)
 Y: 0 YEAR(2010)
 WW:16 WEEK(01~52)
 D: 3 DAY(01~07)



PRODUCT NO.	ITEM	PART NAME	Q'TY	MATERIAL	PLATING
119A-40A00-R02	1	BODY	1	LCP	
	2	CONTACT	52	PHOSPHOR BRONZE	GOLD 1u"
	3	HOLD DOWN	2	BRASS	TIN 100u"

Material
 Plastic Body : LCP, Color Black.
 Contact : Phosphor Bronze Alloy (C5191R-H)
 Contacts Plating: Contact area: Gold Plated
 Solder area: Tin
 Hold Down : Brass(C2680R-H)
 Hold Down Plating: Tin

Electrical:
 Rating Current: 0.5A(Max.)/(1PIN)
 Rating Voltage: 50V AC
 Contact Resistance: 30 mΩ (Max)
 Insulation Resistance: 500 MΩ (Min.)

Mechanical:
 Contact Normal Force: 50 gf per pin (Min.)
 Durability: 100 mating and unmating cycles

Environmental:
 Operating Temperature: -40°C to +90°C
 Storage Temperature: -40°C to +90°C
 Solder ability: 260±5°C

PRODUCT NUMBER:
 119A-40 A 0 0-R02
 1 2 3 4

- Stand off
40: 4.0mm
- Contact plating
A: gold flash
- Color
0: black
- RoHS

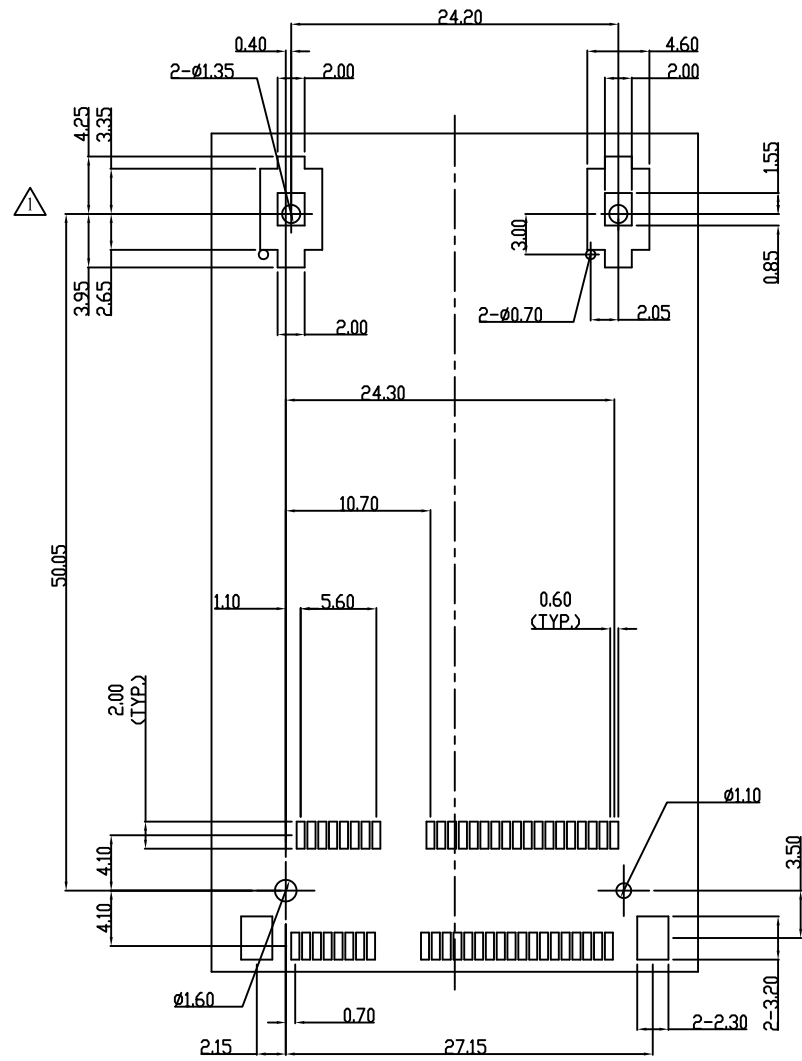
UNLESS OTHERWISE SPECIFIED TOLERANCE		
ANGLES	ANG.	±5°
LINEAR	0.	±0.3
	0.0	±0.25
	0.00	±0.20
SCALE	AS SHOWN	UNIT: mm
DRAWN	Willis	2012/08/03
CHECKED	Angel	2012/08/03
APPROVED	Ken	2012/08/03
SIZE	A4	REV. 1.0



www.attend.com.tw

DRAWN NAME: Mini PCI Express Socket H:4.0mm	
PRODUCT NO.	119A-40A00-R02
FILE NAME	119A-40A00-R02_B_4

REV.	DESCRIPTION	DATE	REV.	DESCRIPTION	DATE
3	Revise:				
2	Revise: Date Code	2010/04/30			
1	Revise: Latch Layout	2010/01/15			



RECOMMEND PC BOARD LAYOUT
GENERAL TOLERANCE: ±0.05mm

UNLESS OTHERWISE SPECIFIED TOLERANCE		
ANGLES	ANG.	±5°
LINEAR	0.	±0.3
	0.0	±0.25
	0.00	±0.20
SCALE	AS SHOWN	UNIT: mm
DRAWN	Willis	2012/08/03
CHECKED	Angel	2012/08/03
APPROVED	Ken	2012/08/03



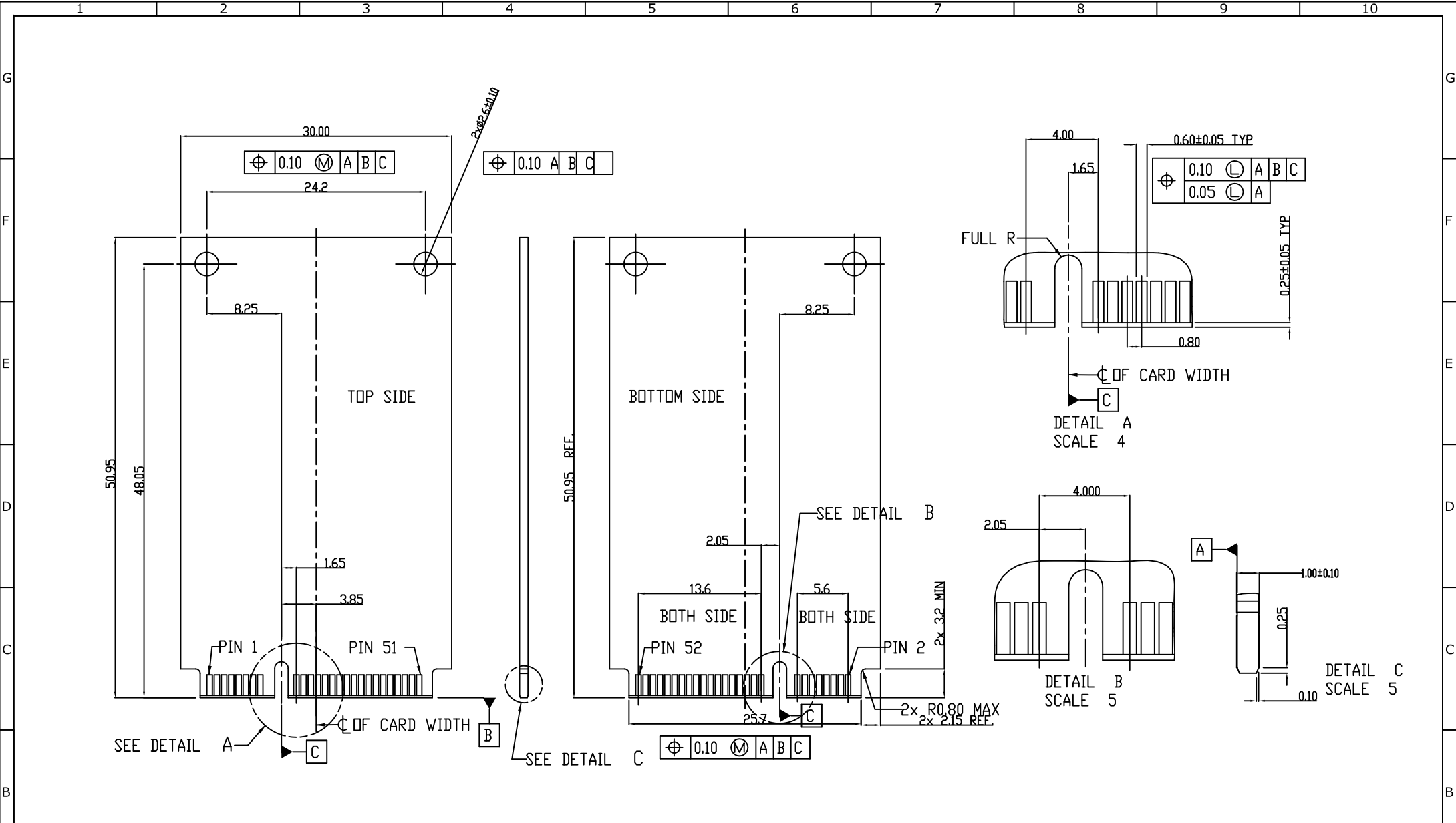
www.attend.com.tw

REV.	DESCRIPTION	DATE	REV.	DESCRIPTION	DATE
3	Revise:				
2	Revise: Date Code	2010/04/30			
1	Revise: Latch Layout	2010/01/15			

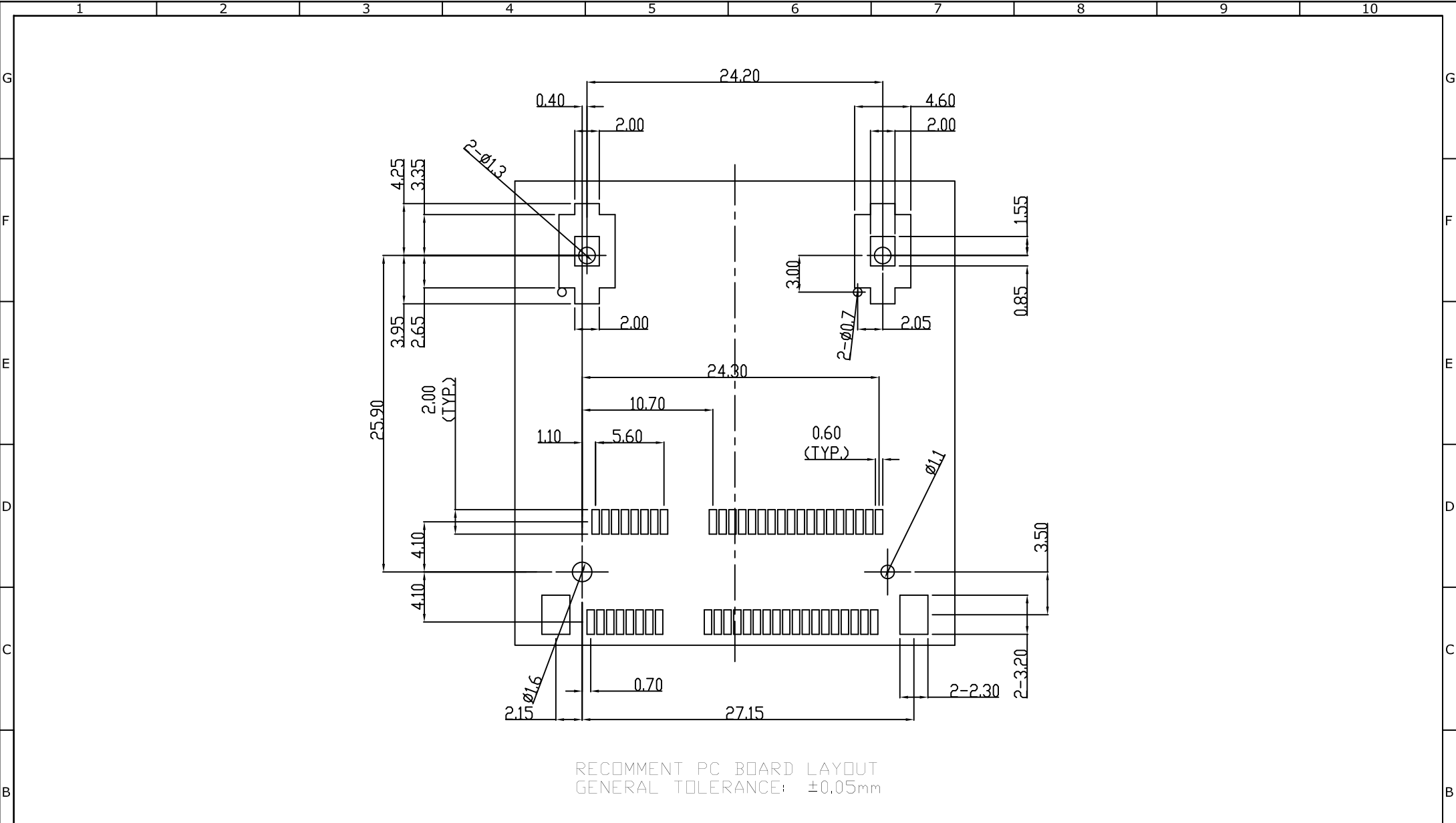
DRAWN NAME:		Mini PCI Express Socket H:4.0mm	
PRODUCT NO.	119A-40A00-R02	FILE NAME	119A-40A00-R02_B_4



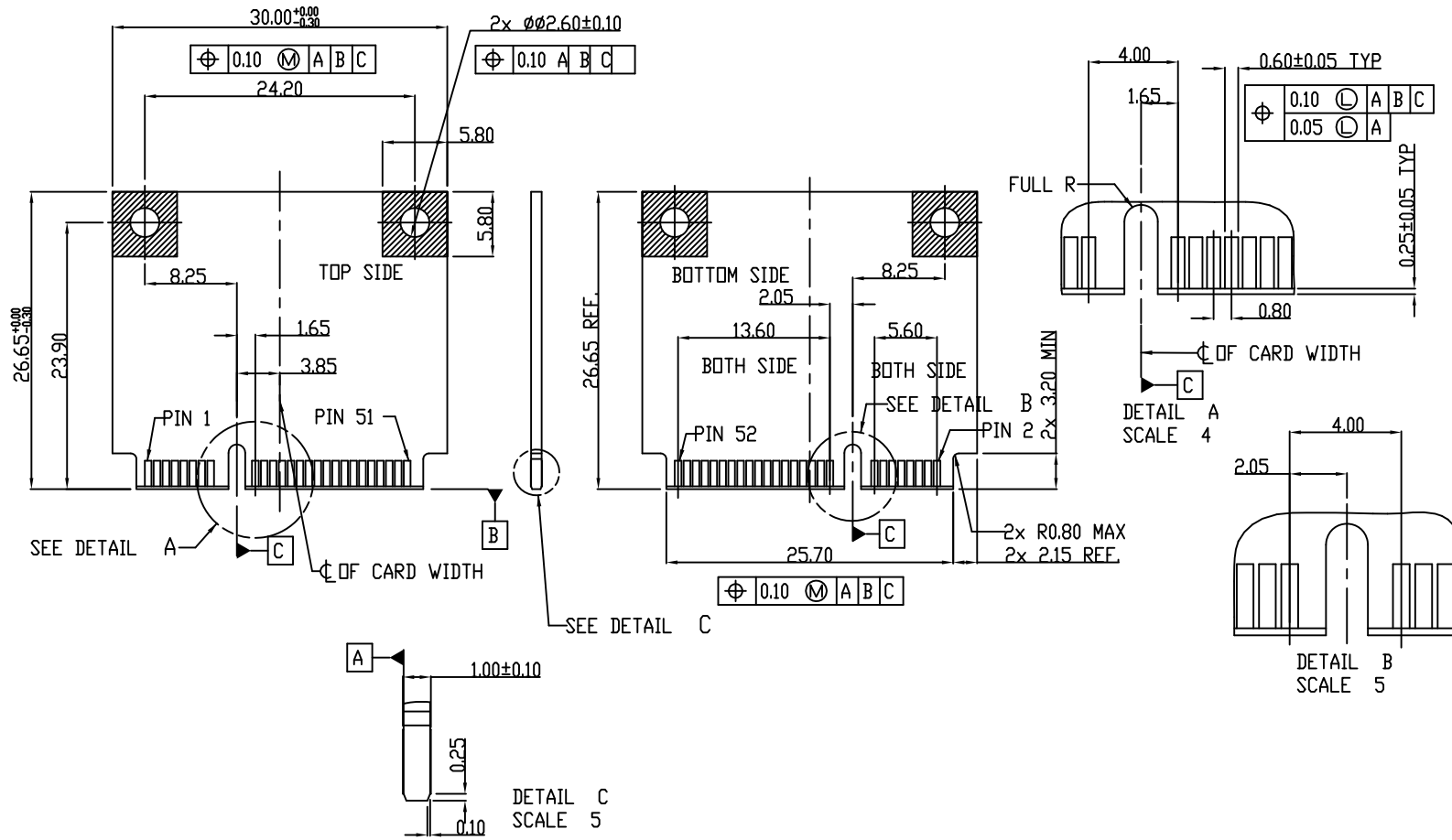
SIZE A4 REV. 1.0




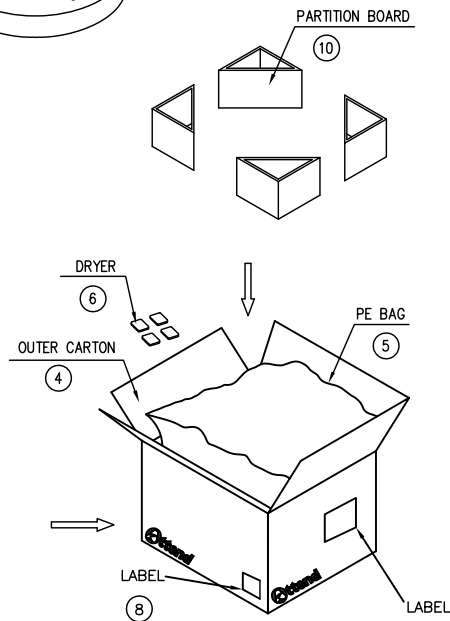
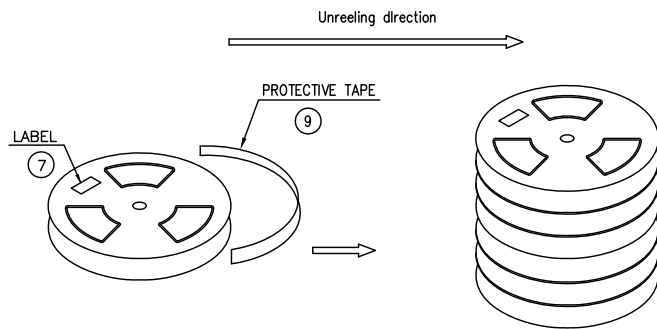
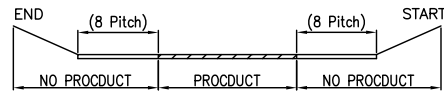
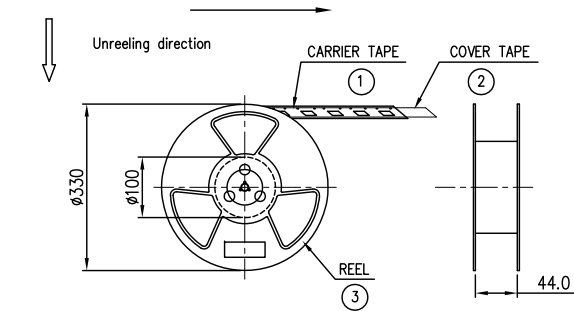
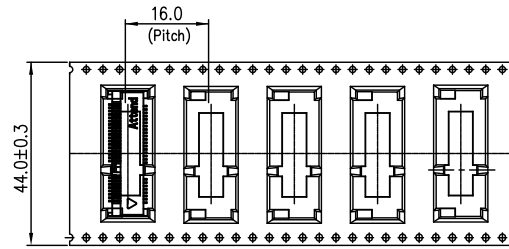
				UNLESS OTHERWISE SPECIFIED TOLERANCE			 www.attend.com.tw	
				ANGLES	ANG.	±5°	DRAWN NAME: Mini PCI Express Socket H:4.0mm	
					0.	±0.3		
				LINEAR	0.0	±0.25	DRAWN: Willis 2012/08/03	
					0.00	±0.20		
				SCALE	AS SHOWN	UNIT: mm	CHECKED: Angel 2012/08/03	
				DRAWN	Willis	2012/08/03		
				APPROVED	Ken	2012/08/03	PRODUCT NO. 119A-40A00-R02	
				REV.	1.0	FILE NAME		
REV.	DESCRIPTION	DATE	REV.	DESCRIPTION	DATE	SIZE	REV.	FILE NAME
1						A4	1.0	119A-40A00-R02_B_4



				UNLESS OTHERWISE SPECIFIED TOLERANCE			 www.attend.com.tw		
				ANGLES	ANG.	±5°			
				LINEAR	0.	±0.3	DRAWN NAME: Mini PCI Express Socket H:4.0mm		
					0.00	±0.20			
				SCALE	AS SHOWN	UNIT: mm	DRAWN: Willis 2012/08/03		
				CHECKED	Angel	2012/08/03			
				APPROVED	Ken	2012/08/03	PRODUCT NO. 119A-40A00-R02		
				REV.	1.0	FILE NAME			
REV.	DESCRIPTION	DATE	REV.	DESCRIPTION	DATE	SIZE	REV.	FILE NAME	
1						A4	1.0		



REV.	DESCRIPTION	DATE	REV.	DESCRIPTION	DATE	UNLESS OTHERWISE SPECIFIED TOLERANCE	SCALE	AS SHOWN	UNIT: mm	FILE NAME
A	Revise:					ANGLES	ANG.	$\pm 5^\circ$		 www.attend.com.tw
	Revise: Date Code	2010/04/30				LINEAR	0.	± 0.3		
	Revise: Latch Layout	2010/01/15					0.00	± 0.25		
							0.00	± 0.20		
						DRAWN	Willis	2012/08/03		DRAWN NAME:
						CHECKED	Angel	2012/08/03		Mini PCI Express Socket H:4.0mm
						APPROVED	Ken	2012/08/03		PRODUCT NO.
										119A-40A00-R02
										FILE NAME
										119A-40A00-R02_B_4



NOTES:
1. PACKING STYLE:

119A-40A00-R02
700 PCS/REEL
4200 PCS/OUTER CARTON

119A-56A00-R02
550 PCS/REEL
3300 PCS/OUTER CARTON

119A-80A00-R02
400 PCS/REEL
2400 PCS/OUTER CARTON

① ②
119A-92A00-R02
300 PCS/REEL
1800 PCS/OUTER CARTON

2. MATERIAL CARRIER TAPE: PS BLACK
COVER TAPE: PET FILM
REEL: PLASTIC

3. PEEL STRENGTH OF COVER TAPE: 20-80g (PEEL SPEED 300mm/MINUTE).

10	PARTITION BOARD	4	PCS	
9	PROTECTIVE TAPE	3	PCS	
8	LABEL	1	PCS	
7	LABEL	6	PCS	
6	DRYER	4	BAG	
5	PE BAG	1	PCS	L850*W750mm
4	OUTER CARTON	1	PCS	
3	REEL	6	SET	φ330*100mm, W=44mm
2	COVER TAPE	SEE NOTES	6	PCS
1	CARRIER TAPE			W=37.5mm
				W=44mm, T=0.35mm
NO	PACKING NAME		PCS/R/R/BOX	UNIT
			PACKING QTY	NOTE

UNLESS OTHERWISE SPECIFIED TOLERANCE

ANGLES	ANG.	±5°
LINEAR	0.	±0.3
	0.0	±0.25
	0.00	±0.20

SCALE AS SHOWN UNIT: mm

DRAWN Willis 2012/08/03

CHECKED Angel 2012/08/03

APPROVED Ken 2012/08/03

SIZE A4 REV. 1.0



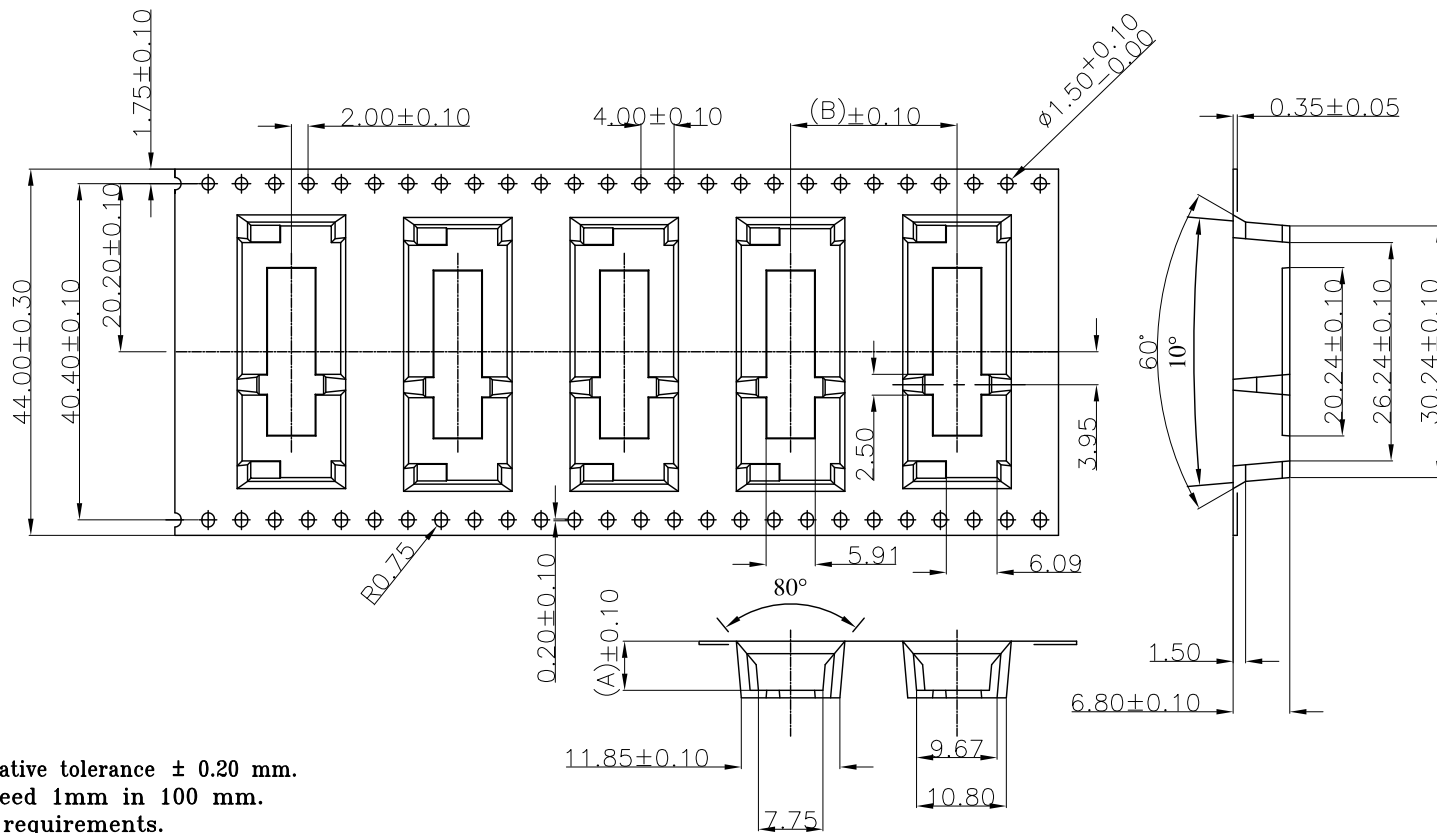
www.attend.com.tw

DRAWN NAME: Mini PCI Express Socket

PRODUCT NO. 119A-XXA00-R02

FILE NAME 119A-XXA00-R02_D_4

REV.	DESCRIPTION	DATE	REV.	DESCRIPTION	DATE
③	Revise:				
②	Revise: NOTE 9.2H 300PCS/REEL	2010/04/30			
①	Revise: NOTE 9.2H 350PCS/REEL	2010/01/21			



NOTES:

1. 10 sprocket hole pitch cumulative tolerance ± 0.20 mm.
2. Carrier camber not to exceed 1mm in 100 mm.
3. All scope meet EIA-481-C requirements.
4. Material: Black Anti-static Polystyrene.
5. Thickness: 0.35 ± 0.05 mm.

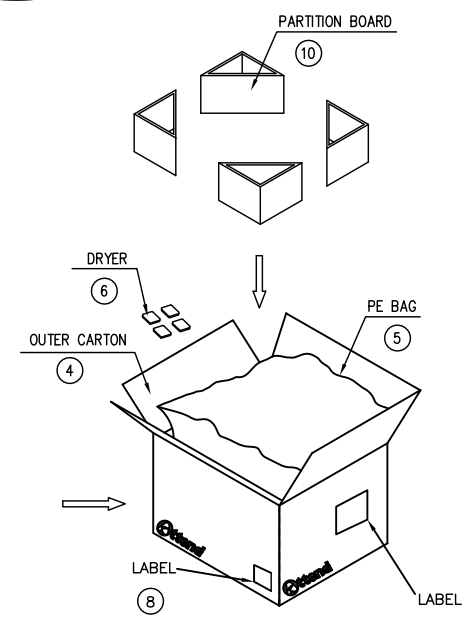
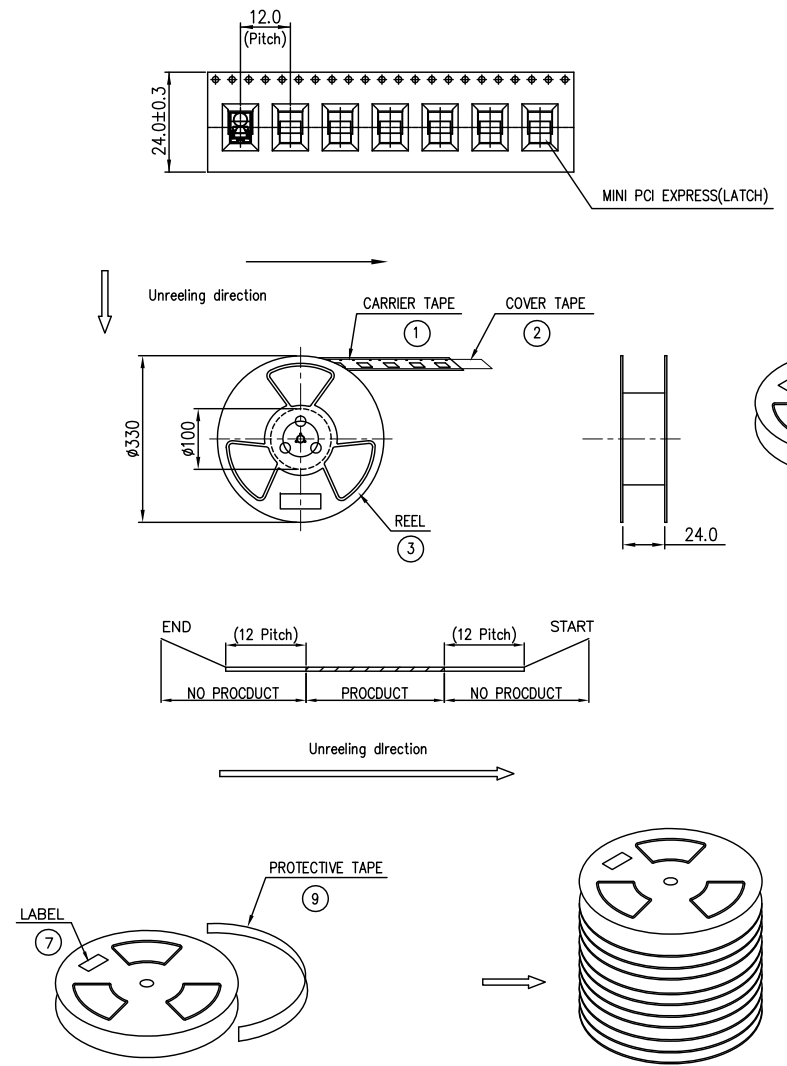
DIM.	119A-40A00-R02	119A-52A00-R02	119A-56A00-R02	119A-80A00-R02	119A-92A00-R02
A	4.30	5.50	5.90	8.30	9.50
B	16.00	16.00	16.00	16.00	20.00

UNLESS OTHERWISE SPECIFIED TOLERANCE		
ANGLES	ANG.	$\pm 5^\circ$
LINEAR	0.	± 0.3
	0.0	± 0.25
	0.00	± 0.20
SCALE	AS SHOWN	UNIT: mm
DRAWN	Willis	2012/08/03
CHECKED	Angel	2012/08/03
APPROVED	Ken	2012/08/03



www.attend.com.tw
 DRAWN NAME: Mini PCI Express Socket
 PRODUCT NO. 119A-XXA00-R02
 FILE NAME 119A-XXA00-R02_D_4

REV.	DESCRIPTION	DATE	REV.	DESCRIPTION	DATE	SIZE	REV.	FILE NAME
1			4			A4	1.0	119A-XXA00-R02_D_4



- NOTES:
- PACKING STYLE
 - 119A-LATCH-40 (4.0H) 700 PCS/REEL 7000 PCS/OUTER CARTON
 - 119A-LATCH-56 (5.6H) 550 PCS/REEL 5500 PCS/OUTER CARTON
 - 119A-LATCH-80 (8.0H) 400 PCS/REEL 4000 PCS/OUTER CARTON
 - 119A-LATCH-92 (9.2H) 300 PCS/REEL 3000 PCS/OUTER CARTON
 - MATERIAL CARRIER TAPE: PS BLACK
COVER TAPE: PET FILM
REEL: PLASTIC
 - PEEL STRENGTH OF COVER TAPE: 20-80g (PEEL SPEED 300mm/MINUTE).

10	PARTITION BOARD	4	PCS	
9	PROTECTIVE TAPE	3	PCS	
8	LABEL	1	PCS	
7	LABEL	6	PCS	
6	DRYER	4	BAG	
5	PE BAG	1	PCS	L850*W750mm
4	OUTER CARTON	1	PCS	
3	REEL	10	SET	Ø330*100mm, W=44mm
2	COVER TAPE	SEE NOTES	10	PCS W=21.5mm
1	CARRIER TAPE	SEE NOTES	10	PCS W=24mm, T=0.5mm
NO	PACKING NAME	PCS/R/R/BOX	UNIT	NOTE
		PACKING QTY		

UNLESS OTHERWISE SPECIFIED TOLERANCE		
ANGLES	ANG.	±5°
LINEAR	0.	±0.3
	0.0	±0.25
	0.00	±0.20
SCALE	AS SHOWN	UNIT: mm
DRAWN	Willis	2012/08/03
CHECKED	Angel	2012/08/03
APPROVED	Ken	2012/08/03

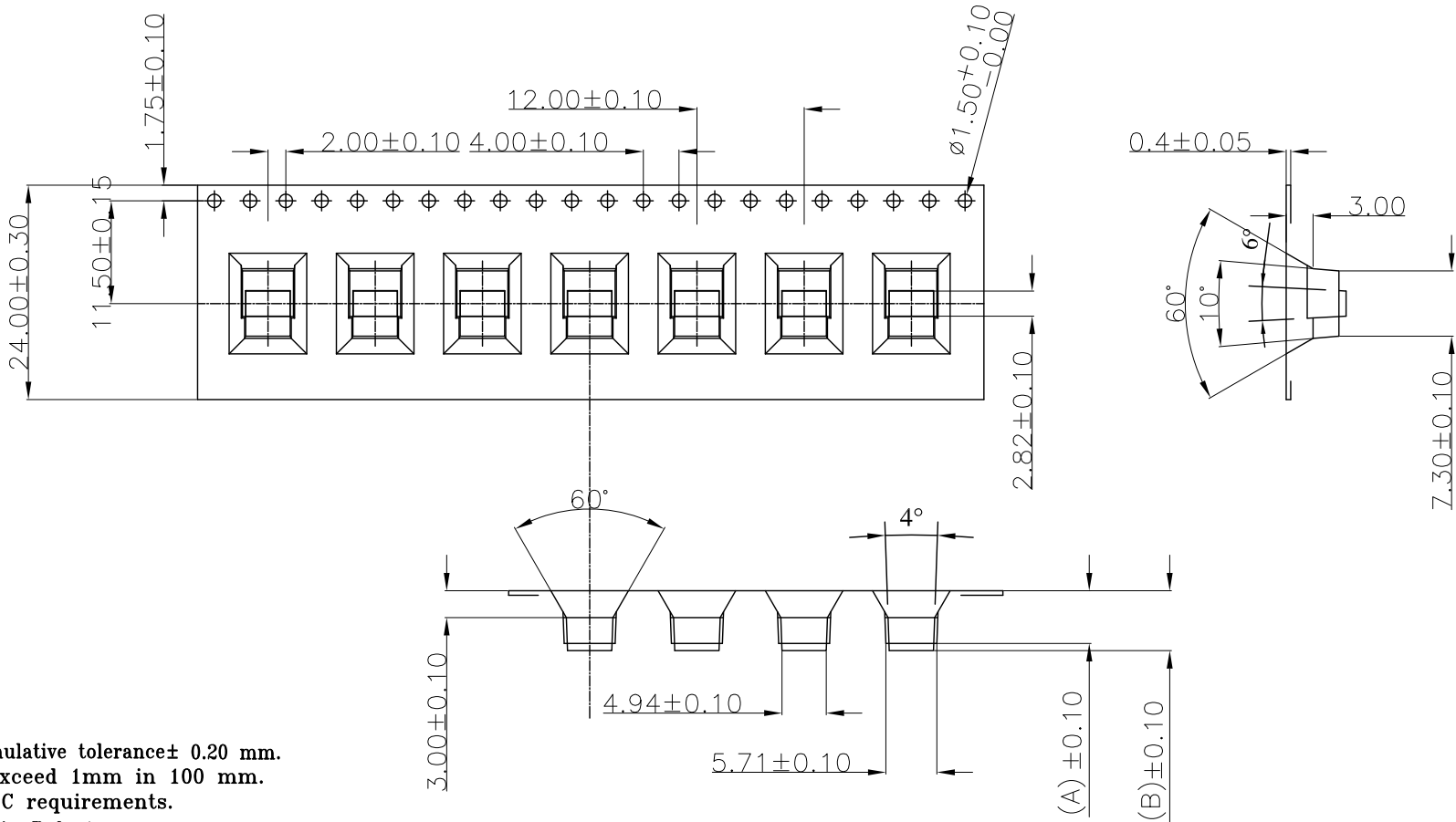
www.attend.com.tw

DRAWN NAME: Mini PCI Express Latch

PRODUCT NO. 119A-LATCH-XX

REV.	DESCRIPTION	DATE	REV.	DESCRIPTION	DATE
1			4		
2			5		
3			6		
4			7		

SIZE	A4	REV.	1.0	FILE NAME	119A-LATCH-XX_D_2
------	----	------	-----	-----------	-------------------



- NOTES:**
1. 10 sprocket hole pitch cumulative tolerance ± 0.20 mm.
 2. Carrier camber not to exceed 1mm in 100 mm.
 3. All scope meet EIA-481-C requirements.
 4. Material: Black Anti-static Polystyrene.
 5. Thickness: 0.40 ± 0.05 mm.

DIM.	119A-LATCH-40	119A-LATCH-52	119A-LATCH-56	119A-LATCH-80	119A-LATCH-92
A	5.90	7.10	7.50	9.90	11.10
B	6.70	7.90	8.30	10.70	11.90

UNLESS OTHERWISE SPECIFIED TOLERANCE		
ANGLES	ANG.	$\pm 5^\circ$
LINEAR	0.	± 0.3
	0.0	± 0.25
	0.00	± 0.20
SCALE	AS SHOWN	UNIT: mm
DRAWN	Willis	2012/08/03
CHECKED	Angel	2012/08/03
APPROVED	Ken	2012/08/03



www.attend.com.tw
 DRAWN NAME: Mini PCI Express Latch
 PRODUCT NO. 119A-LATCH-XX
 FILE NAME 119A-LATCH-XX_D_2

REV.	DESCRIPTION	DATE	REV.	DESCRIPTION	DATE	SIZE	REV.	FILE NAME
1			4			A4	1.0	119A-LATCH-XX_D_2