

Sealed 2.8 Receptacle Housings with Secondary Locking

**Technical Features**

**No. of Positions:**

15 Positions

**Housing Material:**

PBT-GF20

**Extraction Tool:**

Part No. 1-1579007-2

**Wire Size Range:**

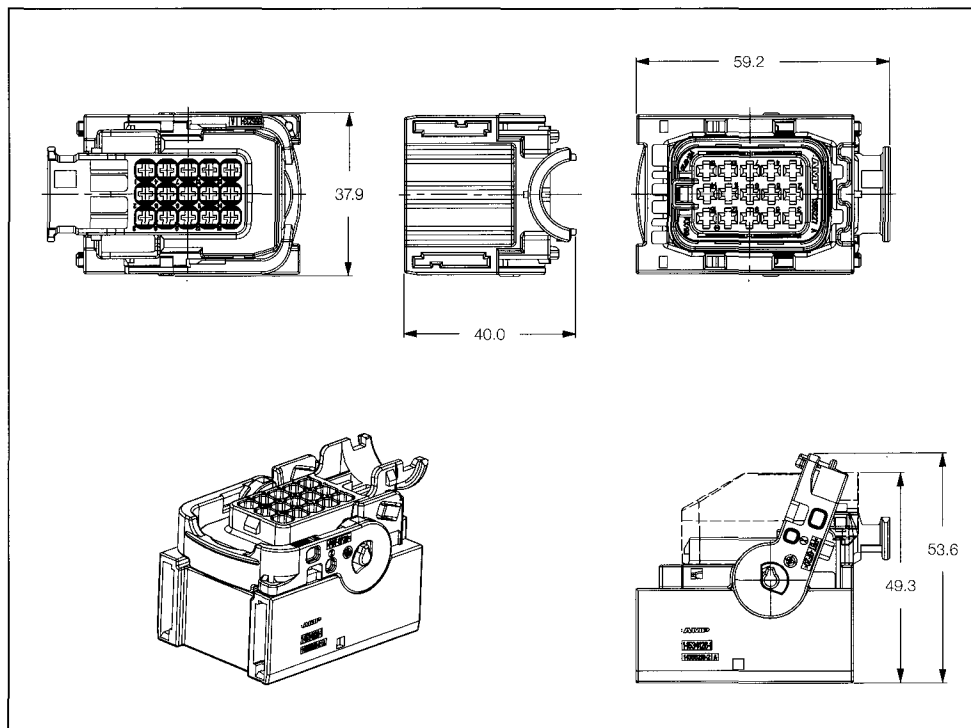
2.5 mm<sup>2</sup> FLR Max.

**Product Specification:**

108-18696

**Application Specification:**

114-18376



Sealed 2.8 Receptacle Housings with Secondary Locking

| No. of Positions | Keying Options | Housing Color | Part Numbers       |                  |             |                    |
|------------------|----------------|---------------|--------------------|------------------|-------------|--------------------|
|                  |                |               | Receptacle Housing | Package Quantity | Cover       | Mating Tab Housing |
| 15               | A              | Black         | 1-1534126-1        | —                | 9-1394049-1 | —                  |
|                  | B              | Natural       | 2-1534126-1        | —                |             |                    |
|                  | C              | Blue          | 3-1534126-1        | —                |             |                    |
|                  | D*             |               |                    |                  |             |                    |

\*) Coding D possible. Consult your local Sales Engineer.