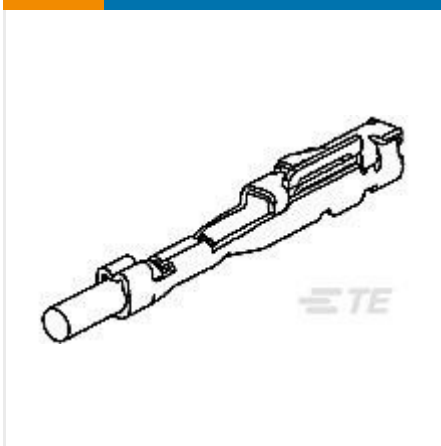




**+** TERMINALS & SPLICES

AUTOMOTIVE, TRUCK, BUS, & OFF-ROAD TERMINALS



✓ Active

TE CONNECTIVITY (TE)

## 025 REC CONTACT

AMP | TH/.025 Connector System

1123343-1

TE Internal Number: 1123343-1

EU RoHS Compliant

EU ELV Compliant

**Terminal Style** Receptacle

**Mating Tab Width** .64 mm [ .025 in ]

**Mating Tab Thickness** .64 mm [ .024 in ]

**Terminal Transmits** 0 – 24 A (Low Power)

**Sealed** No

[↓](#) **PRODUCT DRAWING**  
Japanese

[↓](#) **3D PDF**

### DOCUMENTATION

Product Drawings

#### 025 RECEPTACLE CONTACT

PDF

**Japanese**

CAD Files

#### Customer View Model

2D\_DXF.ZIP

**English**

#### 3D PDF

PDF

**3D**

#### Customer View Model

3D\_IGS.ZIP

**English**

### **Customer View Model**

3D\_STP.ZIP

**English**

---

Product Specifications

Product Specification

### **025 SERIES I/O CONNECTORS (H-Type V-Type 2Row, Wire To Wire)**

PDF

**Japanese**

### **025 SERIES I/O CONNECTORS (H-Type V-Type 2Row, Wire To Wire)**

PDF

**Japanese**

### **025 G W-W CONNECTOR**

TIF

**Japanese**

### **025 G W-W CONNECTOR**

PDF

**Japanese**

### **025/040 I/O Connector**

PDF

**Japanese**

### **025/040 I/O Connector**

TIF

**Japanese**

### **025/040 I/O Connector**

TIF

**Japanese**

### **025/040 I/O Connector**

PDF

**Japanese**

### **025 SERIES I/O CONNECTOR (SMD-TYPE)**

PDF

**Japanese**

### **025 SERIES I/O CONNECTOR (SMD-TYPE)**

TIF

**Japanese**

### **025 SERIES I/O CONNECTOR (SMD-TYPE)**

PDF

**Japanese**

### **025 SERIES I/O CONNECTOR (SMD-TYPE)**

TIF

**Japanese**

### **025 SERIES I/O CONNECTORS (SMD-Type)**

PDF

Japanese

**025 SERIES I/O CONNECTORS (SMD-Type)**

TIF

Japanese

**025 SERIES I/O CONNECTORS (SMD-Type)**

PDF

Japanese

**025 SERIES I/O CONNECTORS (SMD-Type)**

TIF

Japanese

**025 SERIES I/O CONNECTORS (SMD-Type)**

PDF

Japanese

**025 SERIES I/O CONNECTORS (SMD-Type)**

TIF

Japanese

**025/090II I/O CONNECTOR**

TIF

Japanese

**025/090II I/O CONNECTOR**

PDF

Japanese

**025/090II I/O CONNECTOR**

TIF

Japanese

**025/090II I/O CONNECTOR**

PDF

Japanese

**025(0.64)/375(9.5) HYBRID Connector**

TIF

Japanese

**025(0.64)/375(9.5) HYBRID Connector**

PDF

Japanese

**025(0.64)/375(9.5) HYBRID Connector**

PDF

Japanese

**.025 LIGHT SENSOR CONNECTOR**

TIF

Japanese

**.025 LIGHT SENSOR CONNECTOR**

PDF

Japanese

**0.64 LIGHT SENSOR CONNECTOR**

TIF

Japanese

## **0.64 LIGHT SENSOR CONNECTOR**

PDF

**Japanese**

## **025 Series Connector 1Row**

PDF

**English**

## **025 Series Connector 4Pos.**

PDF

**Japanese**

## **025 G W-W CONNECTOR**

TIF

**Japanese**

## **025 G W-W CONNECTOR**

PDF

**Japanese**

## **025 Series Connector 1Row**

PDF

**English**

## **025 Series Connector 4Pos.**

PDF

**Japanese**

## **025/090II WIRE TO WIRE PANEL CONNECTOR**

PDF

**Japanese**

## **025/090II WIRE TO WIRE PANEL CONNECTOR**

TIF

**Japanese**

## **025/090II WIRE TO WIRE PANEL CONNECTOR**

PDF

**Japanese**

## **025/090II WIRE TO WIRE PANEL CONNECTOR**

TIF

**Japanese**

Application Specification

## **Crimping .040III Unsealed Contact, Receptacle**

PDF

**Japanese**

## **Crimping .040III Unsealed Contact, Receptacle**

TIF

**Japanese**

## **Crimping Of 025 Receptacle Contact**

TIF

**Japanese**

## **Crimping Of 025 Receptacle Contact**

PDF

**Japanese**

## **Crimping Of 025 Receptacle Contact**

TIF

**Japanese**

## **Crimping Of 025 Receptacle Contact**

PDF

**Japanese**

## **TH.025 Contacts System**

PDF

**English**

Qualification Test Report

## **025-090II I/O CONNECTOR**

PDF

**Japanese**

## **025-090II I/O CONNECTOR**

TIF

**Japanese**

## **025G CONNECTOR WIRE-TO-WIRE TERMINATION**

PDF

**Japanese**

## **025G CONNECTOR WIRE-TO-WIRE TERMINATION**

TIF

**Japanese**

## **025 Series Connector 1Row**

PDF

**Japanese**

## **025/040 I/O CONNECTOR**

PDF

**Japanese**

## **025/040 I/O CONNECTOR**

TIF

**Japanese**

## **025 SERIES CONNECTOR (H-Type, V-Type, Wire To Wire)**

PDF

**Japanese**

## **025(0.64)/375(9.5) HYBRID CONNECTOR**

PDF

**Japanese**

## **025(0.64)/375(9.5) HYBRID CONNECTOR**

TIF

**Japanese**

---

Product Environmental Compliance

TE Material Declaration

## **MD\_1123343-1\_1230201531\_dmtec**

PDF

**English**

---

Instruction Sheets

Instruction Sheet (non U.S.)

**025 SERIES I/O CONNECTORS (H-Type, V-Type 2Row)**

PDF

Japanese

**025 SERIES I/O CONNECTORS (H-Type, V-Type 2Row)**

PDF

Japanese

**025/040 I/O Connector**

PDF

Japanese

**025/040 I/O Connector**

TIF

Japanese

**025/040 I/O Connector**

PDF

Japanese

**025/040 I/O Connector**

TIF

Japanese

**025/090II I/O Connector**

TIF

Japanese

**025/090II I/O Connector**

PDF

Japanese

**.025 SERIES I/O CONNECTORS (H-Type 1Row 8Position)**

TIF

Japanese

**.025 SERIES I/O CONNECTORS (H-Type 1Row 8Position)**

PDF

Japanese

**.025 LIGHT SENSOR CONNECTOR**

TIF

Japanese

**.025 LIGHT SENSOR CONNECTOR**

PDF

Japanese

**.025 SERIES I/O CONNECTORS (H-Type 1Row 8Position)**

TIF

Japanese

**.025 SERIES I/O CONNECTORS (H-Type 1Row 8Position)**

PDF

Japanese

**025/040 IMMOBILIZER CONNECTOR**

TIF

**Japanese**

**025/040 IMMOBILIZER CONNECTOR**

PDF

**English**

**025/040 IMMOBILIZER CONNECTOR**

TIF

**Japanese**

**025/040 IMMOBILIZER CONNECTOR**

PDF

**English**

**025 SERIES CONNECTOR 4P**

PDF

**Japanese**

**025 G Wire To Wire Connector**

TIF

**Japanese**

**025 G Wire To Wire Connector**

PDF

**Japanese**

**025 G Wire To Wire Connector**

TIF

**Japanese**

**025 G Wire To Wire Connector**

PDF

**Japanese**

**025 Wire To Wire Connector**

PDF

**Japanese**

**025 Wire To Wire Connector**

TIF

**Japanese**

**025 Wire To Wire Connector**

PDF

**Japanese**

**025 Wire To Wire Connector**

TIF

**Japanese**

**025(0.64)/187(4.8) I/O CONNECTOR**

TIF

**Japanese**

**025(0.64)/187(4.8) I/O CONNECTOR**

PDF

**Japanese**

**025(0.64)/187(4.8) I/O CONNECTOR**

TIF

Japanese

**025(0.64)/187(4.8) I/O CONNECTOR**

PDF

Japanese

**025(0.64)/375(9.5) HYBRID Connector**

PDF

English

**025(0.64)/375(9.5) HYBRID Connector**

TIF

English

**025(0.64)/375(9.5) HYBRID Connector**

PDF

English

**025(0.64)/375(9.5) HYBRID Connector**

TIF

English

**025/090II I/O Connector**

TIF

Japanese

**025/090II I/O Connector**

PDF

Japanese

**.025 LIGHT SENSOR CONNECTOR**

TIF

Japanese

**.025 LIGHT SENSOR CONNECTOR**

PDF

Japanese

**FEATURES**



Please review product documents or [contact us](#) for the latest agency approval information.

Please Note: Use the Product Drawing for all design activity.

---

Product Type Features

**Sealed** No

**Primary Locking Feature** Locking Lance

**Wire Type** Copper

**Receptacle Style** 180°

---

Contact Features



**Terminal Style** Receptacle

**Mating Tab Width** .64 mm [ .025 in ]

**Mating Tab Thickness** .64 mm [ .024 in ]

**Interface Plating** Tin (Sn)

**Contact Termination Area Plating Material** Tin (Sn)

**Typical Current Rating (A)** 4

---

Termination Features

**Termination Method** Crimp

**Crimp Type** F-Crimp

---

Dimensions

**Wire Size Search (mm<sup>2</sup>)** .22, .25, .3, .35, .38, .4, .5

**Wire Insulation Diameter** .95 – 1.72 mm [ .037 – .067 in ]

**Wire Size (mm<sup>2</sup>)** .22 – .5

---

Usage Conditions

**Operating Temperature (Max) (°C)** 80, 85, 90, 100, 105, 110, 120

**Operating Temperature (Max) (°F)** 176, 185, 194, 212, 221, 230, 248

**Operating Temperature Range** -40 – 120 °C [ -40 – 248 °F ]

---

Packaging Features

**Packaging Quantity** 10000

**Packaging Method** Reel

---

Other

**Terminal Transmits** 0 – 24 A (Low Power)

Statement of Compliance

**Statement of Compliance**

PDF

---