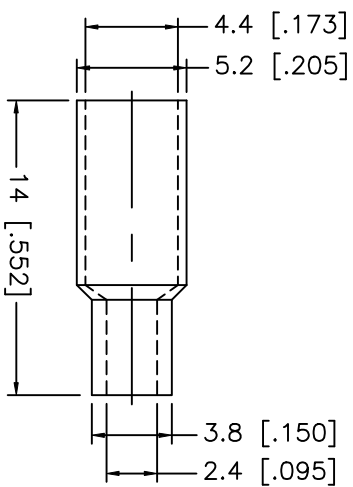
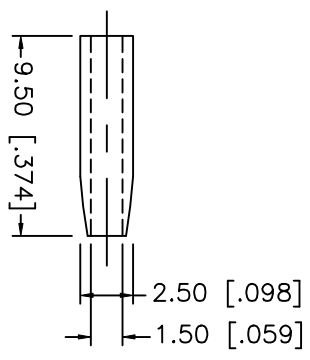
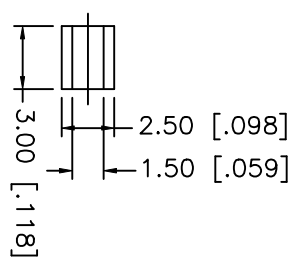
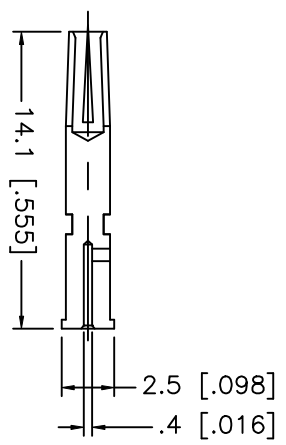
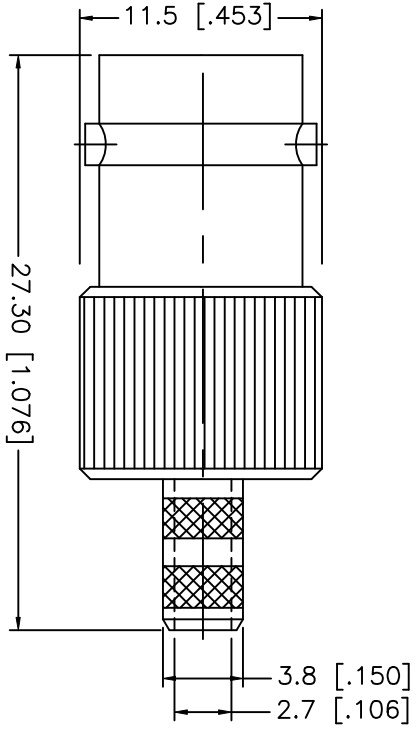
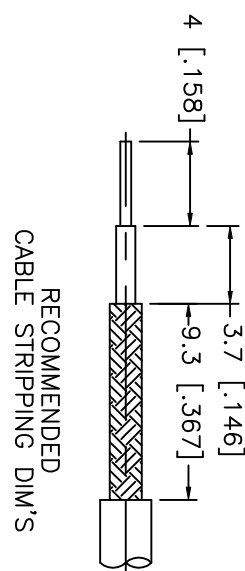


REV.	DATE	DESCRIPTION
A	03/31/02	MODIFY CABLE DESCRIPTION



DESCRIPTION	MATERIAL	FINISH	UNLESS OTHERWISE SPECIFIED DIMENSIONS ARE IN MILLIMETERS DIMENSIONS IN [] ARE IN INCHES FOR CUSTOMER REFERENCE ONLY	APPROVALS	DATE	TITLE	SCALE	PART NO.	SHEET
1 BODY	BRASS	NICKEL		DRAWN	03/31/02	Amphenol - Connex CONNECTOR CORPORATION BNC CRIMP JACK (FOR MOGAMI 1354 CABLE) DWG. NO. 112160-11	NA	112160-11	1 OF 1
2 INSULATOR	DELRIN	NATURAL		CHECKED			SIZE		
3 CONTACT PIN	PHOS. BRONZE	GOLD		ISSUED			A	99001	112160-11.DWG
4 SPACER	BRASS	NATURAL	UNLESS OTHERWISE SPECIFIED TOLERANCES FOR MILLIMETERS ARE: 0.5-6 = ± 0.2 6-30 = ± 0.4 30-120 = ± 0.6 120-315 = ± 1 315-1000 = ± 1.6 1000-2000 = ± 2.4						
5 SLEEVE	DELRIN	NATURAL							
6 FERRULE	COPPER	NICKEL							
7									
8			DO NOT SCALE DRAWING						