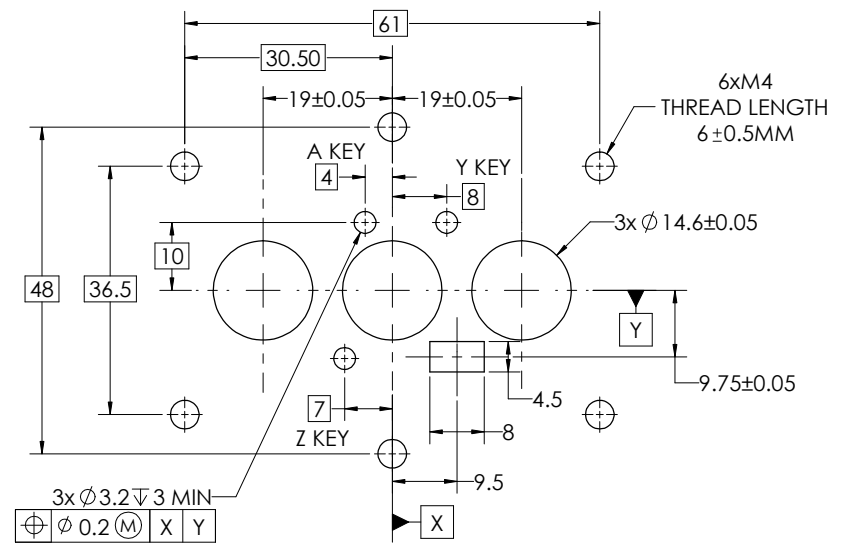
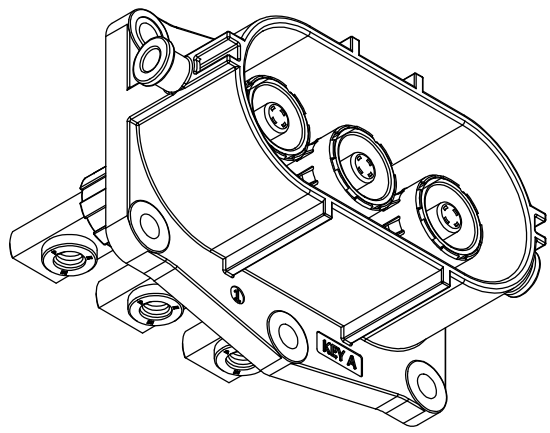
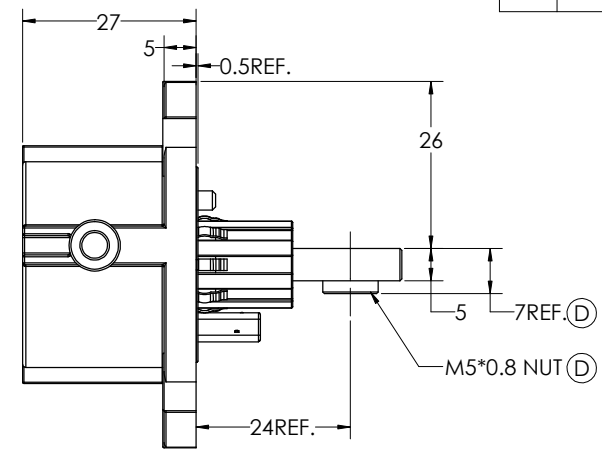
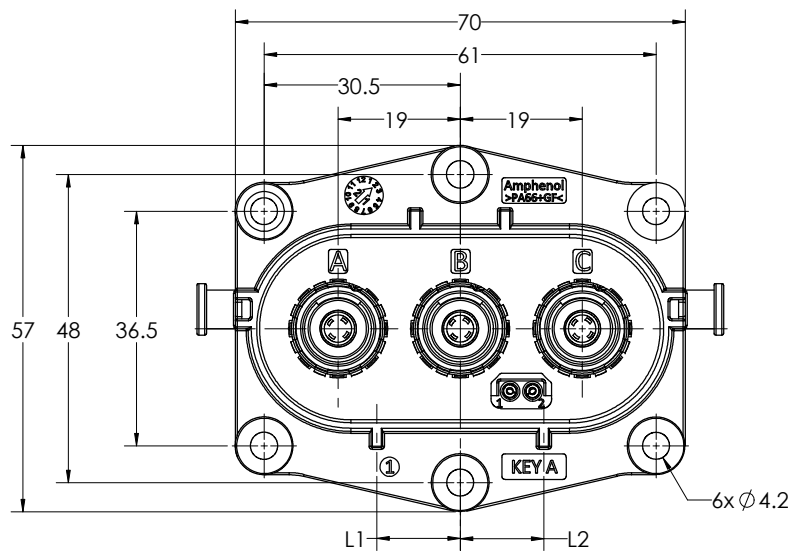


# CUSTOMER DRAWING



REVISION		
REV.	DESCRIPTION	DATE
A	INITIAL RELEASE	2020-10-21
B	UPDATE DESIGN	2021-02-20
C	UPDATE DESIGN REMOVE THE U&W KEY	2021-06-15
D	ADD M5*0.8 NUT	2021-08-03



2. FOR ORDRING INFORMATION, PLEASE SEE CODE NUMBER REFERENCE. TO COMPLETE IT, ADD APPLICABLE CHARACTERS FOR DESIRED REQUIREMENT. SEE PAGE 2 FOR DETAIL INFORMATION.

1. THE REFERENCED PRODUCT SHALL BE COMPLIANT TO RoHS DIRECTIVE

### RECOMMENDED CUT-OUT PANEL LAYOUT DIMENSIONS

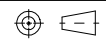
UNLESS OTHERWISE SPECIFIED		APPROVALS		DATE
LINEAR DIMENSIONS ARE IN MILLIMETERS TOLERANCES:		PREPARED BY:	THOR YAN	2021-02-20
DIM. RANGE   0 - 3   >3-6   >6-30   >30-120   >120-400		LEAD/PRODUCT ENGINEER:	THOR YAN	
TOLERANCE   ±0.1   ±0.1   ±0.2   ±0.3   ±0.5		ENGINEERING MANAGER:	ROB WENG	
ANGLES = ±2°		PRODUCT GROUP:	C&I	
DIM. & TOL. PER ASME Y14.5M-1994; DRM PER MIL-DTL-31000; OTHER AMPHENOL STANDARDS: 9-9318		AIPG DIVISION:	AIO	
THIRD ANGLE PROJECTION		MATERIAL SPEC		PROCESS SPEC
		N/A		N/A

AMPHENOL CORPORATION			
Amphenol Technology (Zhuhai) Co. Ltd. No. 63 Xingnan Road, Sanzao Town, Jinwan, Zhuhai, PRC			
5.7mm Epower-lite RECEPTACLE CONNECTOR 3PORTS			
SIZE	CAGE CODE	DOCUMENT NUMBER	REV
C	77820	( )0-765780-3( )P( )	D
SCALE: 2:1		REF: N/A	SHEET 1 OF 2

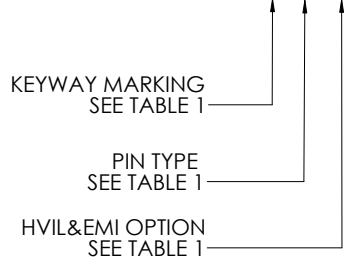
#### NOTES

THIS DOCUMENT CONTAINS PROPRIETARY INFORMATION AND SUCH INFORMATION MAY NOT BE DISCLOSED TO OTHERS FOR ANY PURPOSE OR USED FOR MANUFACTURING PURPOSES WITHOUT WRITTEN PERMISSION FROM THE AMPHENOL CORP.

Next Assembly



CODE NUMBER REFERANCE: ELRA3( ) ( ) ( )



MFG NUMBER REFERANCE: C( )-765780-3( )P( )

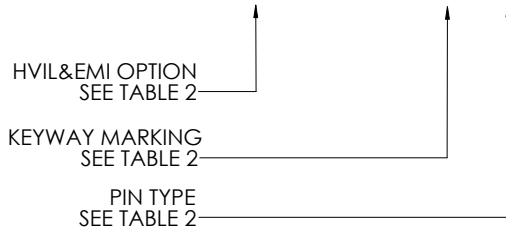


TABLE 1			
ITEM NO.	DESCRIPTION	CODE NUMBER	DIMENSION L1&L2
KEYWAY MARKING	KEYWAY A	A	L1=13,L2=13
	KEYWAY Y	Y	L1=9,L2=13
	KEYWAY Z	Z	L1=9,L2=9
PIN TYPE	BUSBAR	03	
HVIL & EMI OPTION	YES EMI & YES HVIL	--	
	YES EMI & NO HVIL	01	
	NO EMI & YES HVIL	10	
	NO EMI & NO HVIL	11	

SEPCIFICATION	
CONTACT SIZE	5.7 MM (RADSOK CONTACT) / #20 (HVIL CONTACT)
CONTACT TEST CURRENT	120 Amps Max / 5 Amps
OPERATING VOLTAGE	1000V DC
OPERATING TEMPERATRUE	-40°C TO 140°C
DIELECTRIC WITHATANDING VOLTAGE	3000V AC
NUMBER OF CANTACT	3&2
DURABILITY	100 (MIN)
WATER PROOF	IP67 (MATED)
FINGER PROOF	IPXXB
HVIL&EMI	OPTION
SALT SPRAY	96 H
TORQUE OF M5 NUT	5±0.5N.m

TABLE 2			
ITEM NO.	DESCRIPTION	MFG NUMBER	DIMENSION L1&L2
KEYWAY MARKING	KEYWAY A	A	L1=13,L2=13
	KEYWAY Y	Y	L1=9,L2=13
	KEYWAY Z	Z	L1=9,L2=9
PIN TYPE	BUSBAR	3	
HVIL & EMI OPTION	YES EMI & YES HVIL	10	
	YES EMI & NO HVIL	20	
	NO EMI & YES HVIL	30	
	NO EMI & NO HVIL	40	

NOTES:

THIS DOCUMENT CONTAINS PROPRIETARY INFORMATION AND SUCH INFORMATION MAY NOT BE DISCLOSED TO OTHERS FOR ANY PURPOSE OR USED FOR MANUFACTURING PURPOSES WITHOUT WRITTEN PERMISSION FROM THE AMPHENOL CORP.

SIZE	CAGE CODE	DOCUMENT NUMBER	REV
C	77820	( )0-765780-3( )P( )	D
SCALE: 2:1	REF:	N/A	SHEET 2 OF 2

# Mouser Electronics

Authorized Distributor

Click to View Pricing, Inventory, Delivery & Lifecycle Information:

## [Amphenol:](#)

[ELRA3A03](#) [ELRA3A0301](#) [ELRA3A0310](#) [ELRA3A0311](#) [ELRA3Y03](#) [ELRA3Y0301](#) [ELRA3Y0310](#) [ELRA3Y0311](#)  
[ELRA3Z03](#) [ELRA3Z0301](#) [ELRA3Z0310](#) [ELRA3Z0311](#)