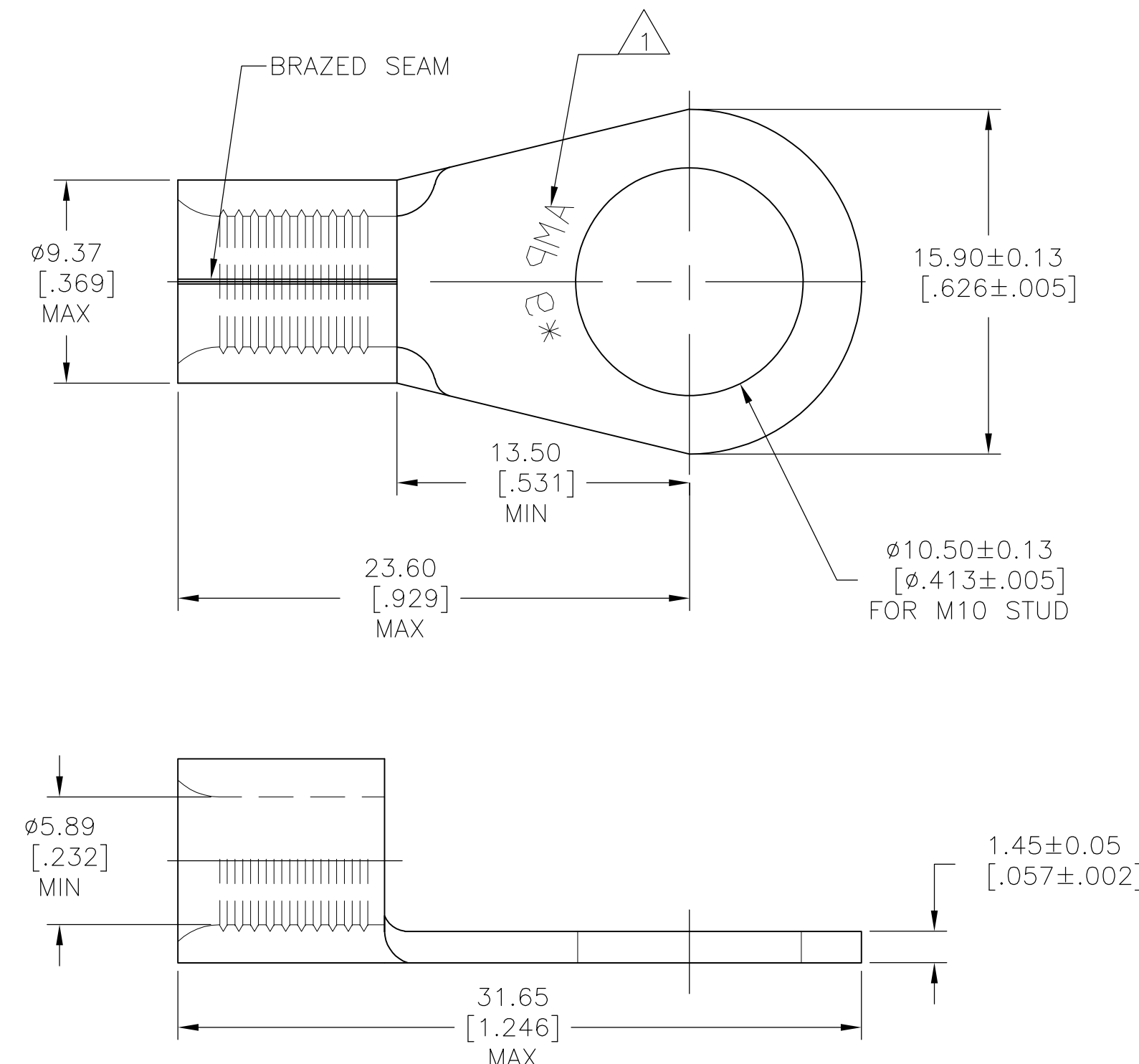


THIS DRAWING IS UNPUBLISHED. RELEASED FOR PUBLICATION
 © COPYRIGHT - BY TYCO ELECTRONICS CORPORATION. ALL INTERNATIONAL RIGHTS RESERVED.

LOC	DIST	REVISIONS					
G	14	P	LTR	DESCRIPTION	DATE	DWN	APVD
			B1	REVISED PER ECO-10-021669	26OCT10	HMR	DR



AMP
 WIRE RANGE
 6 AWG
 SOLID OR STRANDED

- 1 STAMP AMP 6* APPROX AS SHOWN
- 2 MATERIAL: COPPER PER ASTM B-152, ANNEALED
- 3 FINISH: TIN PLATE 0.00254[.000100] MIN EXT THK PER ASTM B-545

160032
 PART NO

THIS DRAWING IS A CONTROLLED DOCUMENT.		DWN jr_ruth 09JUN04	Tyco Electronics Corporation Harrisburg, PA 17105-3608	
DIMENSIONS: mm [INCHES]		CHK T MICHELUTTI 09JUN04	NAME	
TOLERANCES UNLESS OTHERWISE SPECIFIED:		APVD T MICHELUTTI 09JUN04	WIRE TERMINAL SOLISTRAND RING TONGUE 6 AWG - M10	
0 PLC ± -		PRODUCT SPEC	SIZE	RESTRICTED TO
1 PLC ± -		APPLICATION SPEC	CAGE CODE	
2 PLC ± -		WEIGHT	DRAWING NO	
3 PLC ± -			A3 00779	C-160032
4 PLC ± -			SCALE	SHEET
ANGLES ± -			4:1	1 OF 1
FINISH			REV	B1
MATERIAL		CUSTOMER DRAWING		
2		3		

Mouser Electronics

Authorized Distributor

Click to View Pricing, Inventory, Delivery & Lifecycle Information:

[TE Connectivity:](#)

[160032](#)