

SAC-6P-MINMS/ 5,0-U20 - Power cable



1416858

<https://www.phoenixcontact.com/us/products/1416858>

Please be informed that the data shown in this PDF document is generated from our Online Catalog. Please find the complete data in the user documentation. Our General Terms of Use for Downloads are valid.



Power cable, 6-position, PVC, yellow, Plug straight 7/8"-16UNF, coding: A, on free cable end, coding: A, cable length: 5 m

Your advantages

- Easy and safe: 100% electrically tested plug-in components

Commercial Data

Item number	1416858
Packing unit	1 pc
Minimum order quantity	1 pc
Note	Made to Order (non-returnable)
Sales Key	BF14
Product Key	BF1IMB
GTIN	4055626224213
Weight per Piece (including packing)	22.22 g
Weight per Piece (excluding packing)	22.22 g
Customs tariff number	85444290
Country of origin	MX

Technical Data

Notes

Trade restriction

CE note	The products are offered exclusively for export outside the EU and the European Economic Area.
---------	--

Product properties

Product type	Sensor/actuator cable
Number of positions	6
Application	Standard
No. of cable outlets	1
Shielded	no
Coding	A

Material specifications

Color Handle area	yellow
Flammability rating according to UL 94	V0
Material of grip body	PVC
Contact material	CuZn
Contact surface material	Au
Contact carrier material	PVC
Material for screw connection	Anodized aluminum

Electrical properties

Contact resistance	$\leq 5 \text{ m}\Omega$
Insulation resistance	$\geq 100 \text{ M}\Omega$
Nominal voltage U_N	600 V AC
	600 V DC
Nominal current I_N	8 A
Protective circuit	unwired

Mechanical properties

Mechanical data

Insertion/withdrawal cycles	100
-----------------------------	-----

Signaling

Status display	No
Status display present	No

Connection data

Conductor connection

Tightening torque	10 lb _F -in.
-------------------	-------------------------

SAC-6P-MINMS/ 5,0-U20 - Power cable



1416858

<https://www.phoenixcontact.com/us/products/1416858>

	1.12 Nm
--	---------

Connector

Connection 1

Type	Plug straight 7/8"-16UNF
Coding type	A

Connection 2

Type	free cable end
------	----------------

Cable/line

Cable length	5 m
--------------	-----

Yellow, STOOW [U20]

Number of positions	6
Shielded	no
Cable type	Yellow, STOOW [U20]
Conductor cross section	6 x AWG 16
External cable diameter	13.7 mm
Outer sheath, material	PVC
External sheath, color	yellow
Conductor material	Bare Cu litz wires
Single wire, color	white 1, red 2, green 3, orange 4, black 5, blue 6
Nominal voltage, cable	600 V
Minimum bending radius, fixed installation	4 x D
Minimum bending radius, flexible installation	12.5 x D
Flame resistance	UL 1581, FT2
Resistance to oil	Premium oil resistance (jacket and conductor)
Other resistance	UV resistant (720 h) UL 2556
Ambient temperature (operation)	-40 °C ... 105 °C (cable, fixed installation) -30 °C ... 105 °C (Cable, flexible installation)

Environmental and real-life conditions

Ambient conditions

Degree of protection	IP68
Ambient temperature (operation)	-20 °C ... 105 °C (Plug / socket) -40 °C ... 105 °C (cable, fixed installation) -30 °C ... 105 °C (Cable, flexible installation)

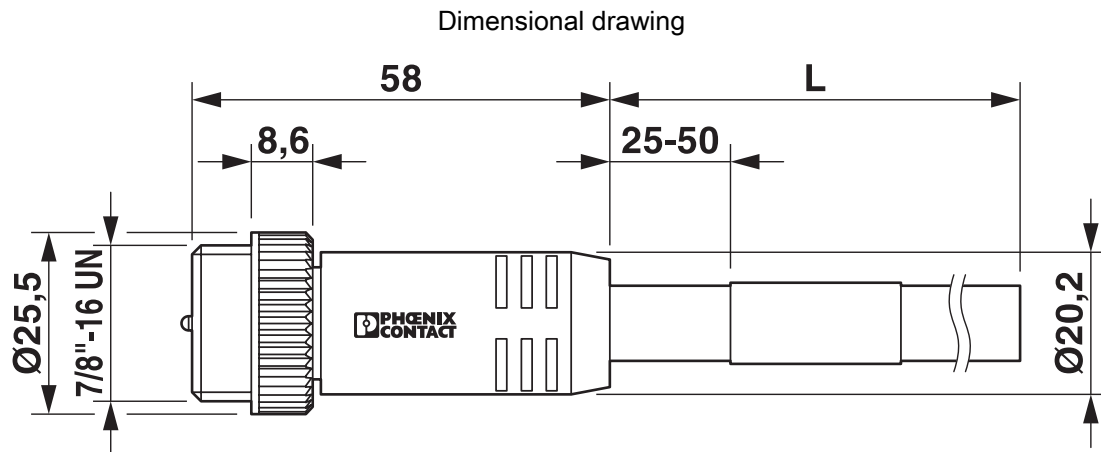
SAC-6P-MINMS/ 5,0-U20 - Power cable



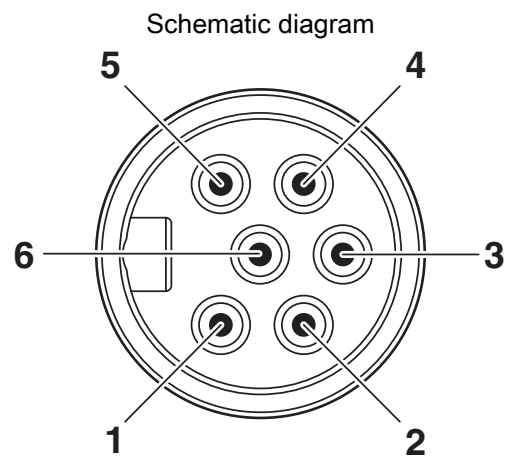
1416858

<https://www.phoenixcontact.com/us/products/1416858>

Drawings



7/8"-16UNF plug, straight



Pin assignment, plug, 7/8"-16UNF, 6-pos., view of male side

SAC-6P-MINMS/ 5,0-U20 - Power cable



1416858

<https://www.phoenixcontact.com/us/products/1416858>

Circuit diagram



SAC-6P-MINMS/ 5,0-U20 - Power cable



1416858

<https://www.phoenixcontact.com/us/products/1416858>

Approvals

To download certificates, visit the product detail page: <https://www.phoenixcontact.com/us/products/1416858>



EAC

Approval ID: RU C-DE.BL08.B.00286



UL Listed

Approval ID: FILE E 221474



cUL Listed

Approval ID: FILE E 221474

SAC-6P-MINMS/ 5,0-U20 - Power cable



1416858

<https://www.phoenixcontact.com/us/products/1416858>

Classifications

ECLASS

ECLASS-11.0	27060311
ECLASS-12.0	27060311
ECLASS-13.0	27060311

ETIM

ETIM 7.0	EC001855
----------	----------

UNSPSC

UNSPSC 21.0	31251501
-------------	----------

SAC-6P-MINMS/ 5,0-U20 - Power cable



1416858

<https://www.phoenixcontact.com/us/products/1416858>

Environmental Product Compliance

China RoHS	Environmentally friendly use period: unlimited = EFUP-e
	No hazardous substances above threshold values

SAC-6P-MINMS/ 5,0-U20 - Power cable



1416858

<https://www.phoenixcontact.com/us/products/1416858>

Accessories

PROT-MINFS-PA-CHAIN - Sealing cap

1430912

<https://www.phoenixcontact.com/us/products/1430912>

7/8" sealing cap made of plastic with fixing band, for sensor cables, for 7/8" connectors



PABA WH/23 - Insert label

1013779

<https://www.phoenixcontact.com/us/products/1013779>

Insert label, Strip, white, unlabeled, can be labeled with: CMS-P1-PLOTTER, mounting type: slide-on, cable diameter range: 1.5 ... 35 mm, lettering field size: 23 x 4 mm, Number of individual labels: 20



SAC-6P-MINMS/ 5,0-U20 - Power cable

1416858

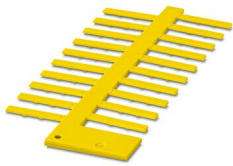
<https://www.phoenixcontact.com/us/products/1416858>



PABA YE/23 - Insert label

1013782

<https://www.phoenixcontact.com/us/products/1013782>



Insert label, Strip, yellow, unlabeled, can be labeled with: CMS-P1-PLOTTER, mounting type: slide-on, cable diameter range: 1.5 ... 35 mm, lettering field size: 23 x 4 mm, Number of individual labels: 20

B-STIFT - Marker pen

1051993

<https://www.phoenixcontact.com/us/products/1051993>



Marker pen, for manual labeling of unprinted Zack strips, smear-proof and waterproof, line thickness 0.5 mm

SAC-6P-MINMS/ 5,0-U20 - Power cable

1416858

<https://www.phoenixcontact.com/us/products/1416858>



PROT-MINMS-PA-CHAIN - Screw plug

1430925

<https://www.phoenixcontact.com/us/products/1430925>

7/8" sealing cap made of plastic with fixing band, for sensor cables, for 7/8" sockets



TSD 08 SAC - Torque screwdriver

1212597

<https://www.phoenixcontact.com/us/products/1212597>

Torque screw driver with preset torque of 0.8 Nm, with 4 mm hexagon for accommodating SAC bits, two-component handle with non-slip grip



SAC-6P-MINMS/ 5,0-U20 - Power cable

1416858

<https://www.phoenixcontact.com/us/products/1416858>



TSD-M 1,2NM - Torque screwdriver

1212224

<https://www.phoenixcontact.com/us/products/1212224>



Torque screw driver, accuracy as per EN ISO 6789 standard, adjustable from 0.3 - 1.2 Nm

TSD-M SAC-BIT ADAPTER - Adapter insert

1212600

<https://www.phoenixcontact.com/us/products/1212600>



Adapter bit for TSD-M...torque tools, E6.3-1/4" drive with 4 mm hexagon to accommodate SAC bits

SAC-6P-MINMS/ 5,0-U20 - Power cable

1416858

<https://www.phoenixcontact.com/us/products/1416858>



SAC BIT MIN-D25 - Tool

1212512

<https://www.phoenixcontact.com/us/products/1212512>

Nut for assembling 7/8" connectors with a knurl diameter of 25 mm, with 4 mm hexagonal drive



Phoenix Contact 2023 © - all rights reserved

<https://www.phoenixcontact.com>

Phoenix Contact USA
586 Fulling Mill Road
Middletown, PA 17057, United States
(+717) 944-1300
info@phoenixcon.com