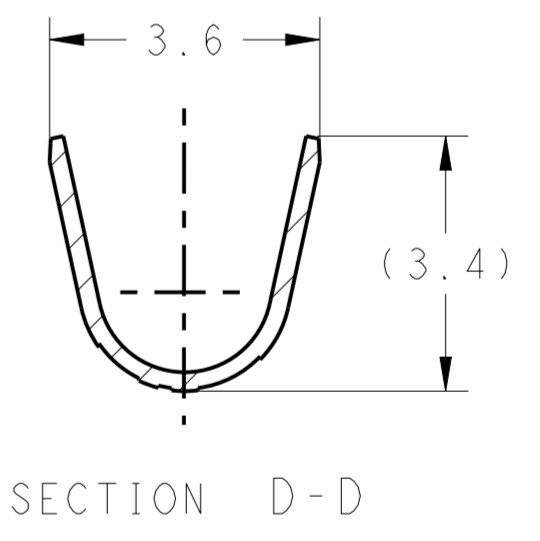
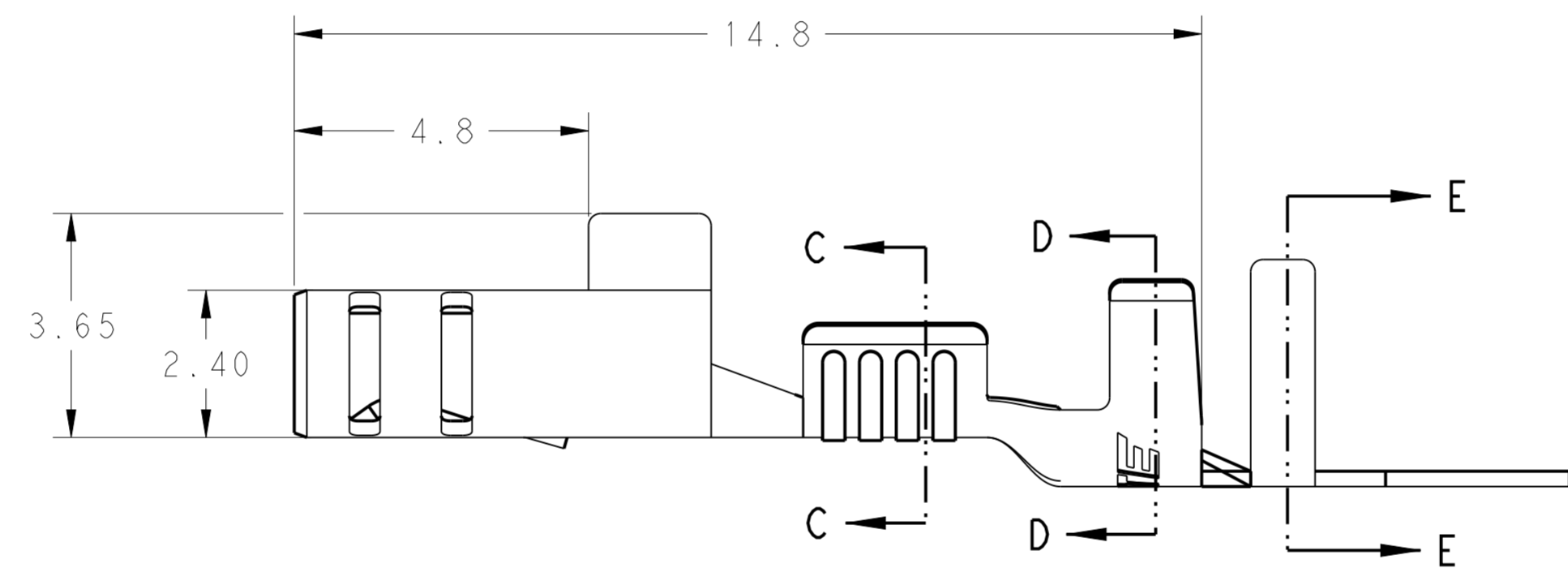
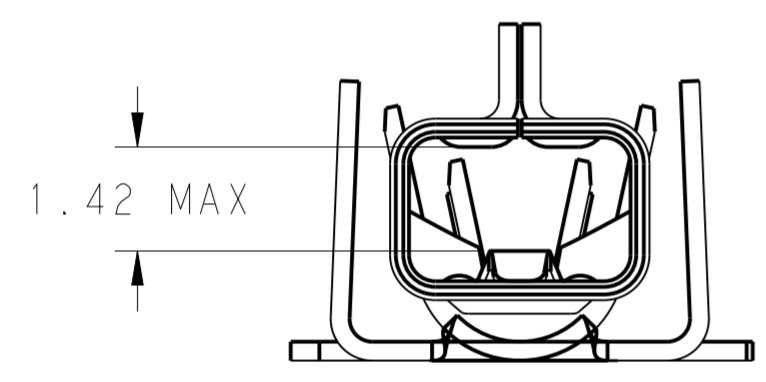
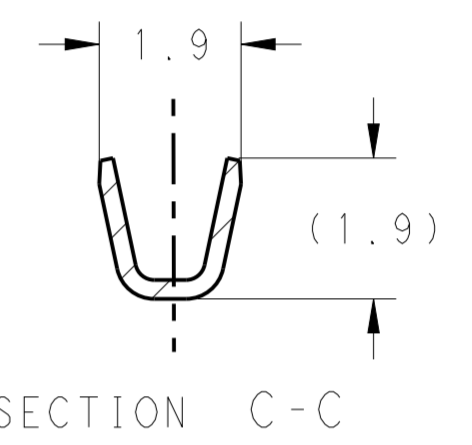
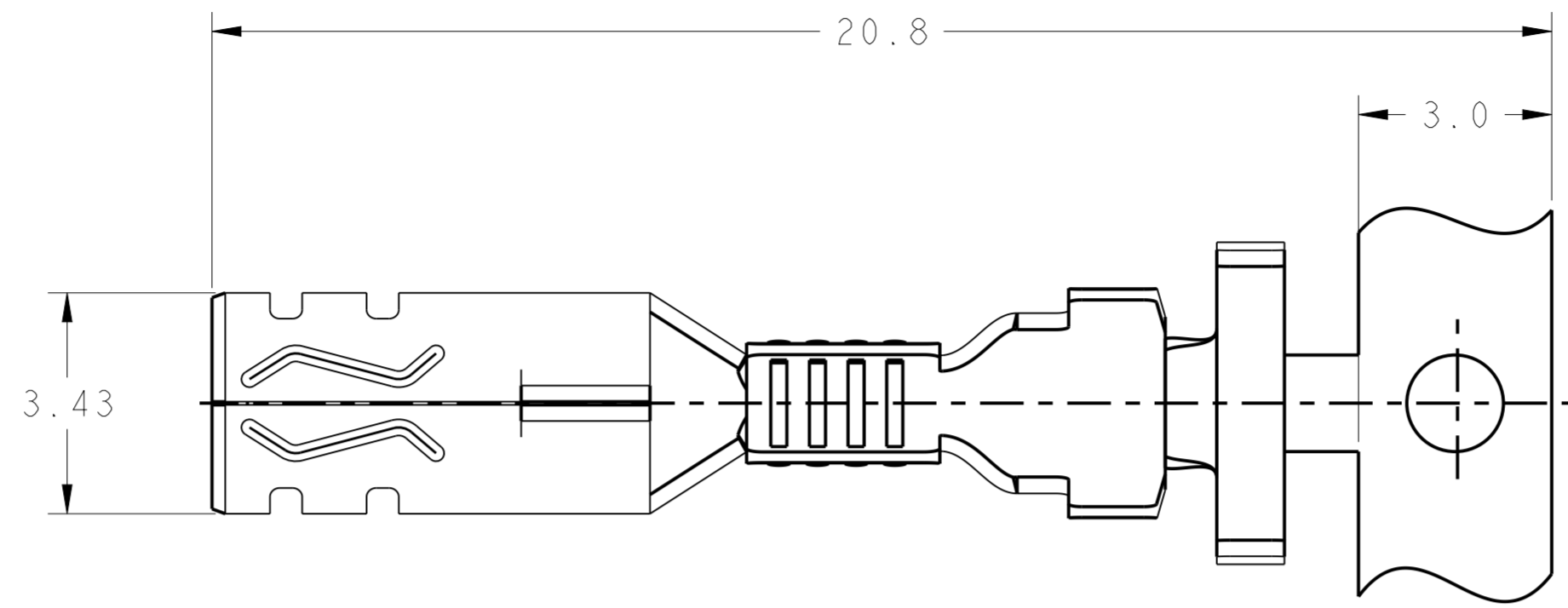
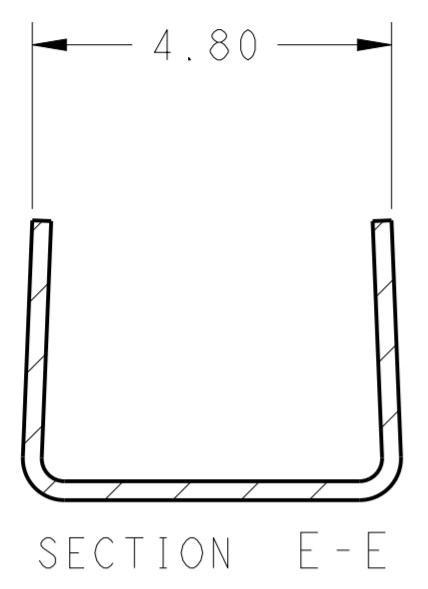
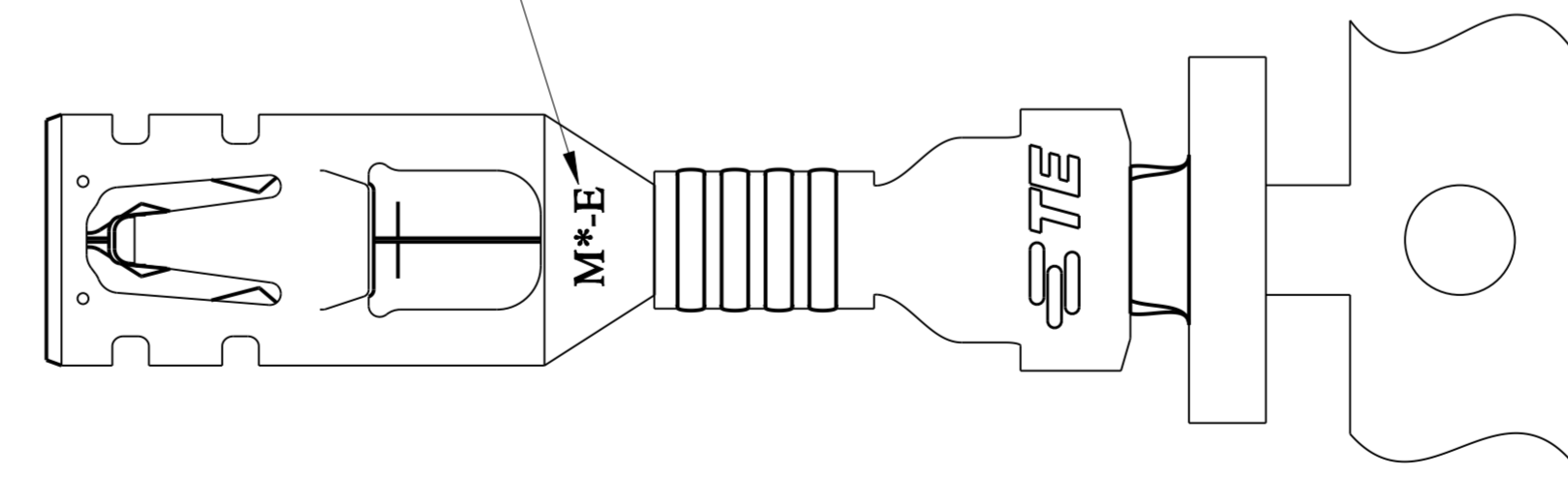


THIS DRAWING IS UNPUBLISHED. RELEASED FOR PUBLICATION 20  
 © COPYRIGHT 20 BY - ALL RIGHTS RESERVED.

REVISIONS				DATE	DWN	APVD
P	LTR	DESCRIPTION				
	F	REVISED PER ECR-21-100678	08APR2021	SS	VS	



4 MATERIAL/SIZE MARK



- RECOMMENDED WIRE RANGE: 20-24 AWG COPPER STRANDED(375-1200 CMA)
- RECOMMENDED INSULATION DIAMETER: 1.43-2.70mm. INSULATION < 1.76mm REQUIRES AN APPLICATOR WITH AN OVERLAP INSULATION CRIMPER.
- APPLICABLE MATED PLUG HOUSING P/N:  
 \*-1971773-\*/\*-1971776-\*/\*-1971876-\*/  
 \*-2232265-\*/\*-2232266-\*/\*-2232357-\*

4 WIRE SIZE INDICATOR "E"=20-24 AWG

COPPER ALLOY	HIGH(150°C)	M0-E	1971785-2
PHOS BRONZE	STANDARD(105°C)	M1-E	1971785-1
MATERIAL	TEMP. RATING	4 MATERIAL/SIZE MARK	PART NO

THIS DRAWING IS A CONTROLLED DOCUMENT.

DIMENSIONS: mm	TOLERANCES UNLESS OTHERWISE SPECIFIED:	DWN TOMMY WU 11JUL2012	TE Connectivity RECEPTACLE CONTACT POWER TRIPLE LOCK
		CHK HAPYE WU 11JUL2012	
		APVD YUHONG MAO 11JUL2012	
		NAME	
		PRODUCT SPEC	SIZE CAGE CODE DRAWING NO RESTRICTED TO
MATERIAL SEE TABLE	PRE-TIN	108-106118	A2100779C-1971785
		114-106118	SCALE 6:1 SHEET 1 OF 1 REV F
		WEIGHT	Customer Drawing

# Mouser Electronics

Authorized Distributor

Click to View Pricing, Inventory, Delivery & Lifecycle Information:

[TE Connectivity:](#)

[1971785-1 \(Cut Strip\)](#) [1971785-1 \(Mouser Reel\)](#)