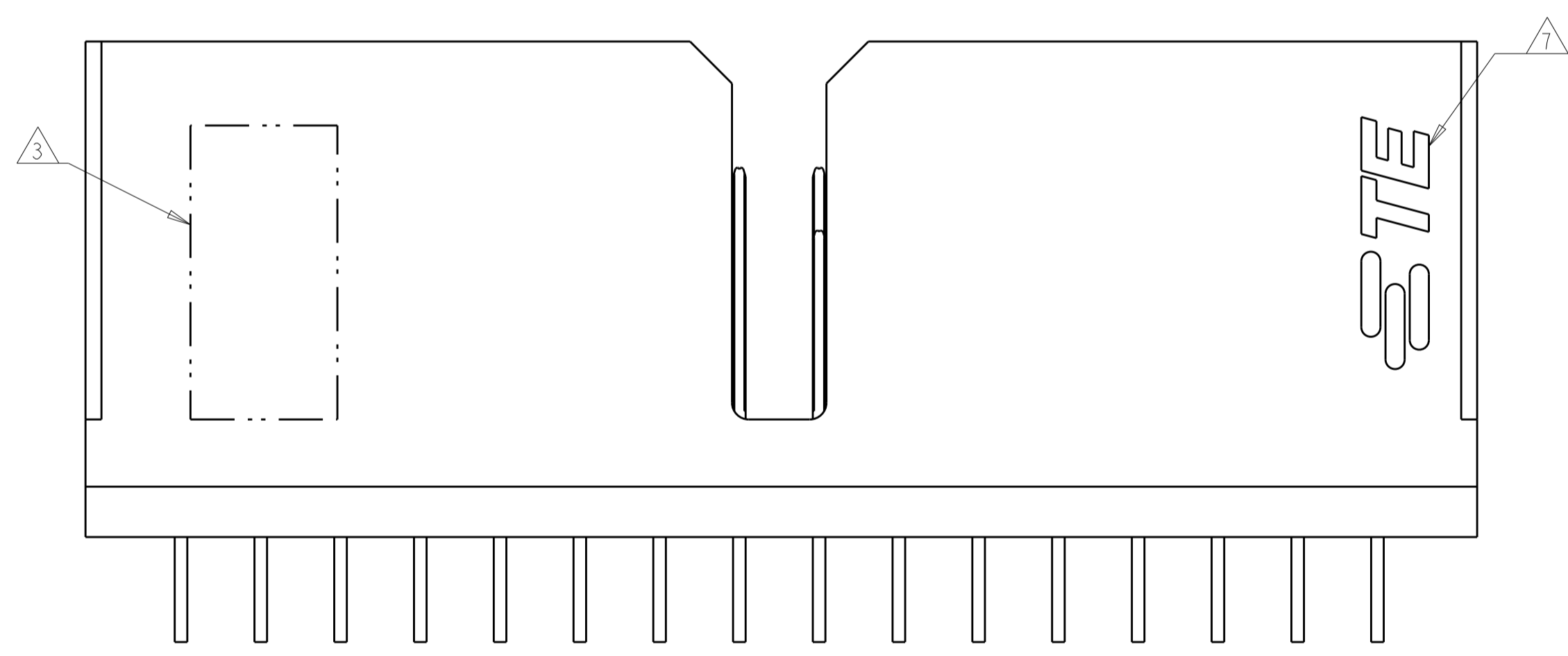
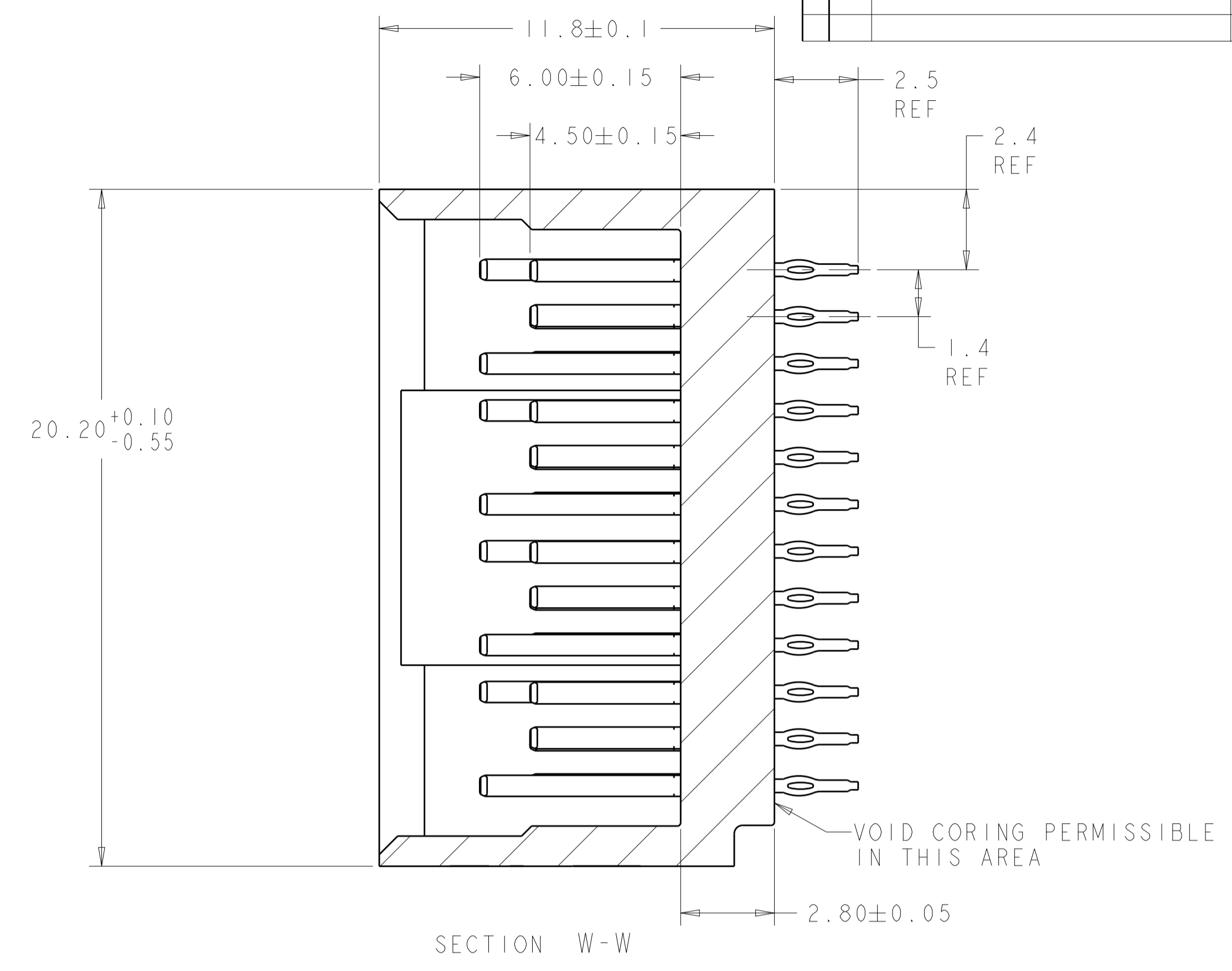
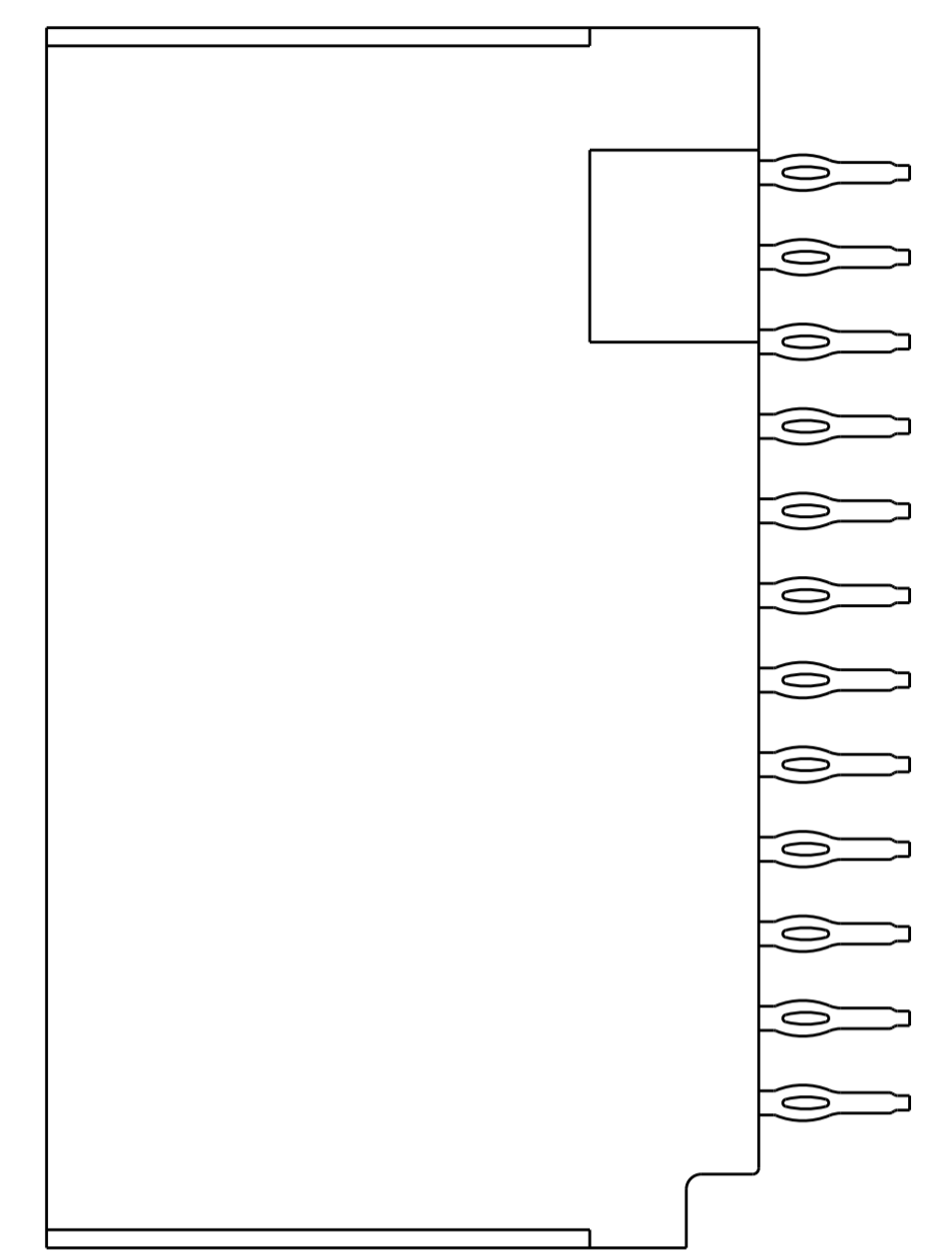
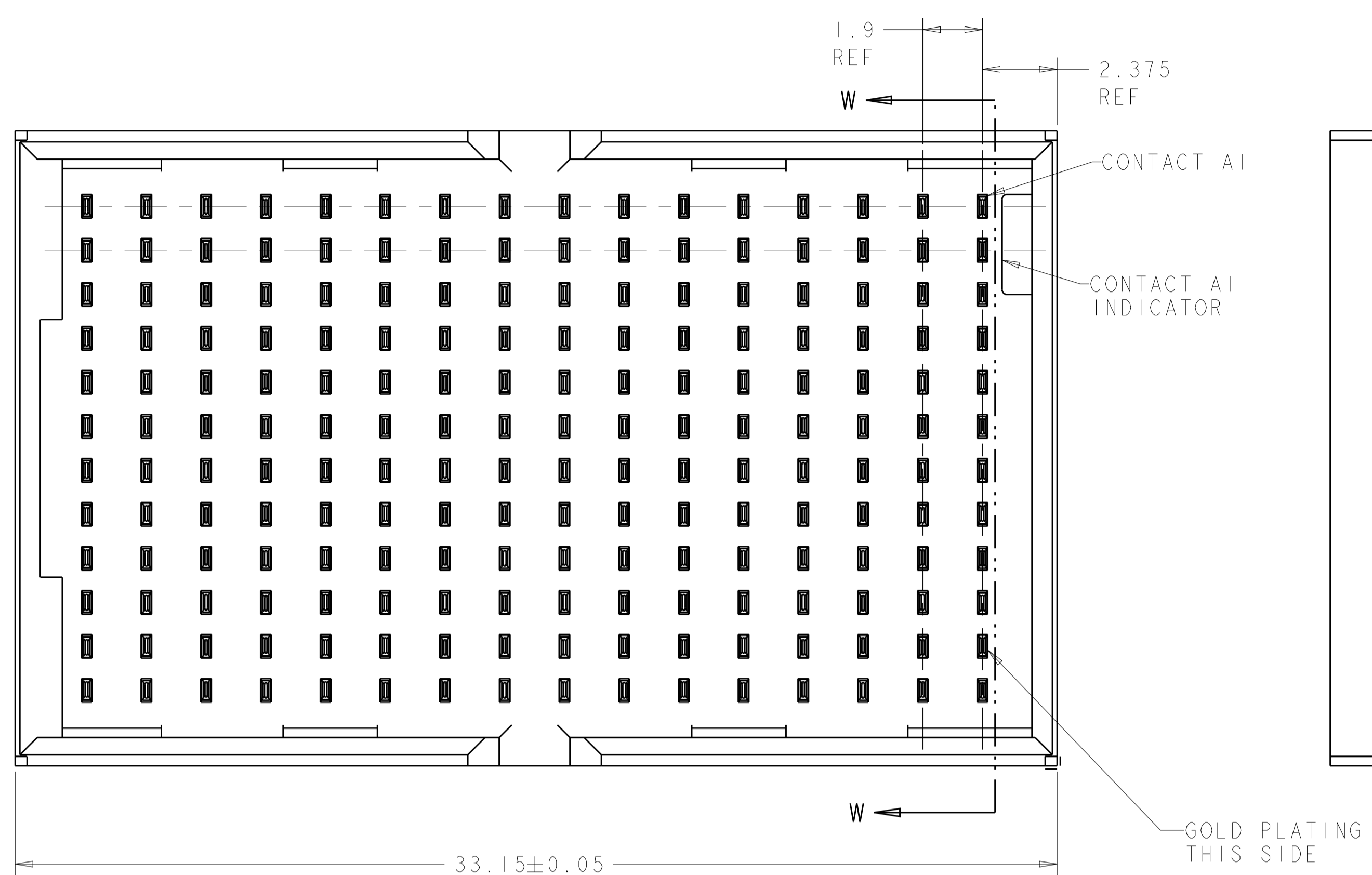


LOC	DIST	REVISIONS			
GP	00	REV	DATE	BY	CHK
		F	31 JUL 2013	KH	RP
		G	04 JUL 2019	AP	SY



△ SHOWN LOGO OR OTHER TE OWNED LOGOS IN APPROXIMATE AREA.

△ MATERIAL:  
 CONTACT - PHOS BRONZE  
 HOUSING - LCP, UL 94V-0, COLOR - BLACK

△ FINISH:  
 CONTACT AREA FINISH CONFORMS TO THE REQUIREMENTS OF TE PRODUCT SPECIFICATION 108-2303; BASED ON TELCORDIA GR-1217-CORE FOR SYSTEM QUALITY LEVEL III, APPLICATIONS IN CONTROLLED ENVIRONMENTS (CENTRAL OFFICE). COMPLIANT PIN AREA- 0.5µm MIN MATTE TIN OVER 1.27µm MIN NICKEL.

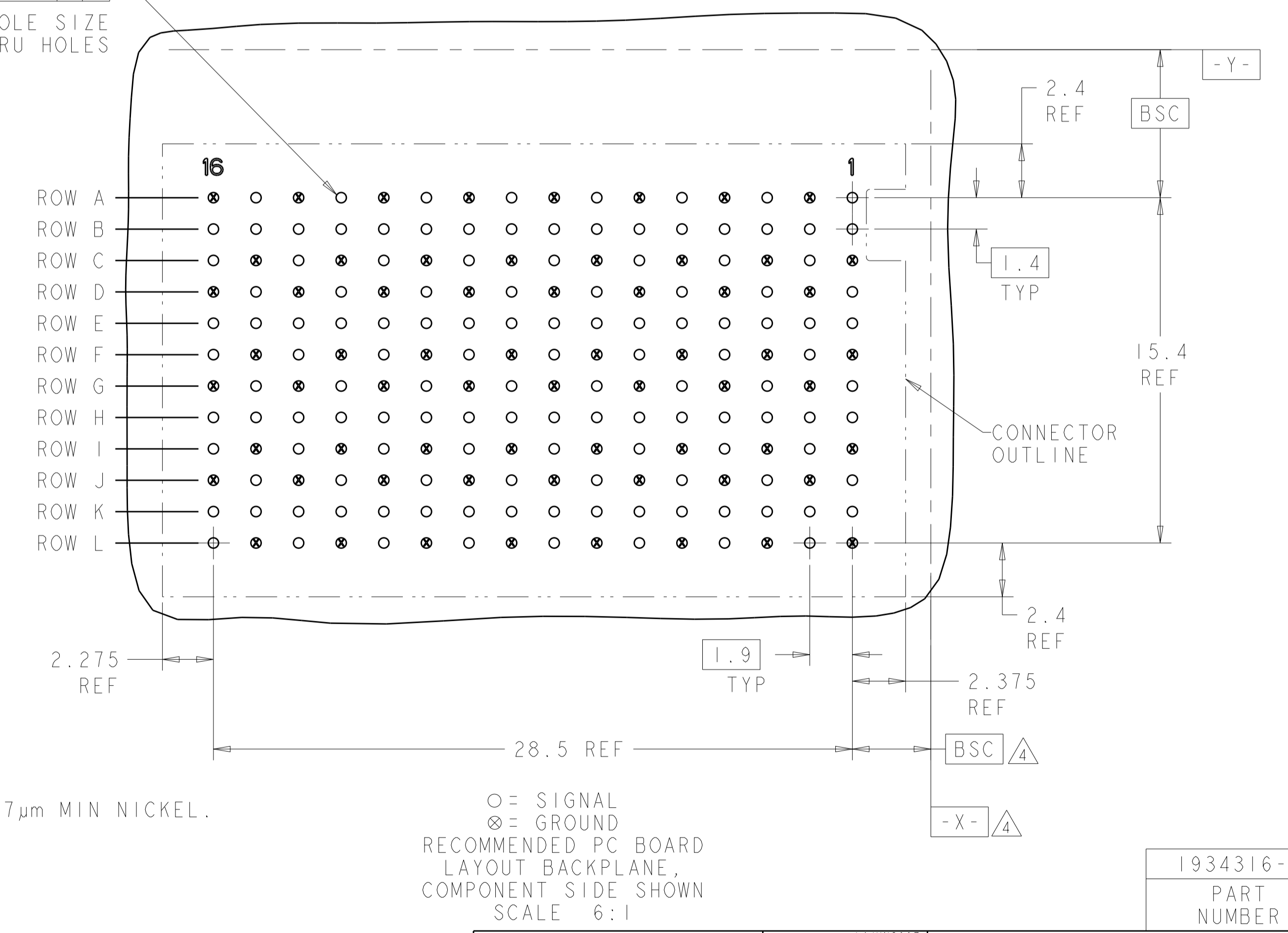
△ CONNECTOR MARKED WITH PART NUMBER, DATE CODE AND STANDARD IN APPROXIMATE AREA SHOWN

△ DATUMS AND BASIC DIMENSIONS ESTABLISHED BY CUSTOMER.

5. CONTACT AREA LUBRICATED WITH BELLCORE APPROVED LUBRICANT. TECHNICAL REFERENCE GR-1217-CORE, ISSUE 1, NOVEMBER 1995.

△ REFERENCE APPLICATION SPEC 114-13202 FOR RECOMMENDED PLATED THRU HOLE DIAMETER AND PLATING THICKNESSES.

△ ⊕ ∅0.05 ⊕ X Y  
 FINISHED HOLE SIZE AND PLATED THRU HOLES



THIS DRAWING IS A CONTROLLED DOCUMENT.		OWN B. MCMASTER 14 JUN 2007	1934316-1
DIMENSIONS:		CHK W. DAVIS 14 JUN 2007	NAME HEADER ASSEMBLY, DOUBLE WALL, 4 PAIR 16 COLUMN TinMan
TOLERANCES UNLESS OTHERWISE SPECIFIED:		APVD W. DAVIS 14 JUN 2007	
mm	0 PLC ±	PRODUCT SPEC	SIZE
	1 PLC ±	APPLICATION SPEC	CAGE CODE
	2 PLC ±		DRAWING NO
	3 PLC ±		RESTRICTED TO
	4 PLC ±		A100779C=1934316
	ANGLES ±		SCALE
MATERIAL	FINISH	WEIGHT	8:1
△	△	CUSTOMER DRAWING	SHEET 1 OF 1
			REV G

# Mouser Electronics

Authorized Distributor

Click to View Pricing, Inventory, Delivery & Lifecycle Information:

[TE Connectivity:](#)

[1934316-1](#)