

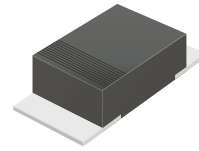
## CGRKM4001-HF Thru. CGRKM4007-HF

Reverse Voltage: 50 to 1000 Volts

Forward Current: 1.0 Amp

RoHS Device

Halogen Free

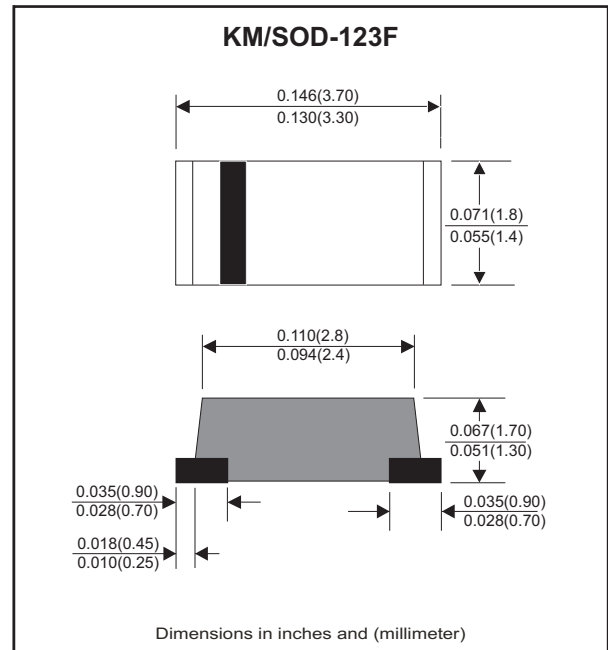


### Features

- Ideal for surface mount applications
- Easy pick and place
- Exceeds environmental standard MIL-STD-19500/228
- Low leakage current
- Qualified according AEC-Q101

### Mechanical data

- Epoxy: UL94-V0 rated flame retardant
- Case: Molded plastic, SOD-123F
- Terminals: Solderable per MIL-STD-750, method 2026
- Polarity: Indicated by cathode band
- Weight: 0.027 grams approx.



### Circuit diagram



### Maximum Ratings (at TA=25°C unless otherwise noted)

Parameter	Symbol	CGRKM 4001-HF	CGRKM 4002-HF	CGRKM 4003-HF	CGRKM 4004-HF	CGRKM 4005-HF	CGRKM 4006-HF	CGRKM 4007-HF	Unit	
Maximum repetitive peak reverse voltage	$V_{RRM}$	50	100	200	400	600	800	1000	V	
Maximum DC blocking voltage	$V_{DC}$	50	100	200	400	600	800	1000	V	
Maximum RMS voltage	$V_{RMS}$	35	70	140	280	420	560	700	V	
Maximum averaged forward current	$I_o$	1.0							A	
Maximum Instantaneous forward voltage at $I_F=1.0A$	$V_F$	1.1				1.0	1.1		V	
Forward surge current, 8.3ms single half sine-wave superimposed on rated load (JEDEC method)	$I_{FSM}$	30							A	
Reverse current at rated DC blocking voltage	$I_R$	@TA=25°C	5							μA
		@TA=100°C	50							
Thermal resistance, junction to ambient air	$R_{θJA}$	60							°C/W	
Operating junction temperature	$T_J$	-55 to +150							°C	
Storage temperature range	$T_{STG}$	-65 to +170							°C	
Junction capacitance f=1MHz and applied 4V DC reverse voltage	$C_J$	15							pF	

## Rating and Characteristic Curves (CGRKM4001-HF Thru. CGRKM4007-HF)

Fig.1- Current Derating Curve

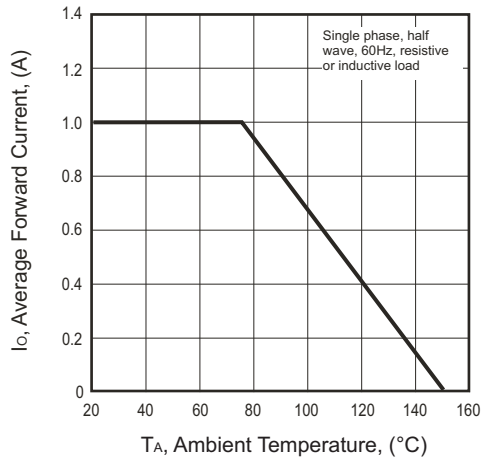


Fig.2- Forward Characteristics

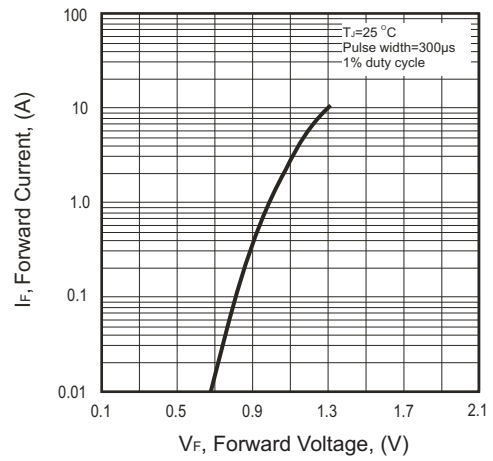


Fig.3- Non-repetitive Forward Surge Current

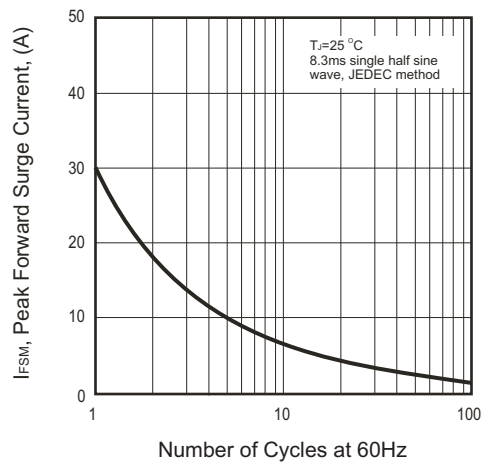


Fig.4- Reverse Characteristics

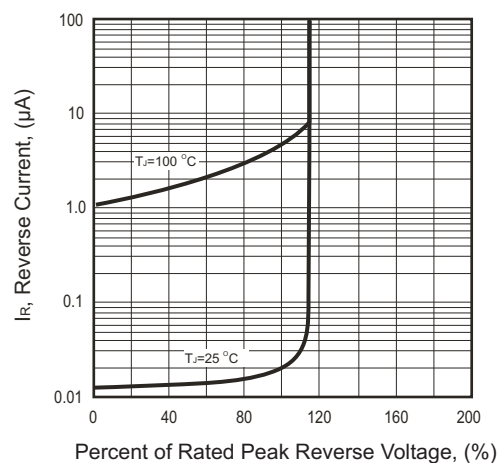
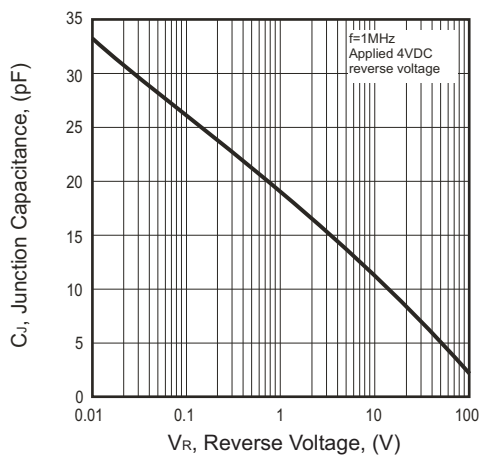
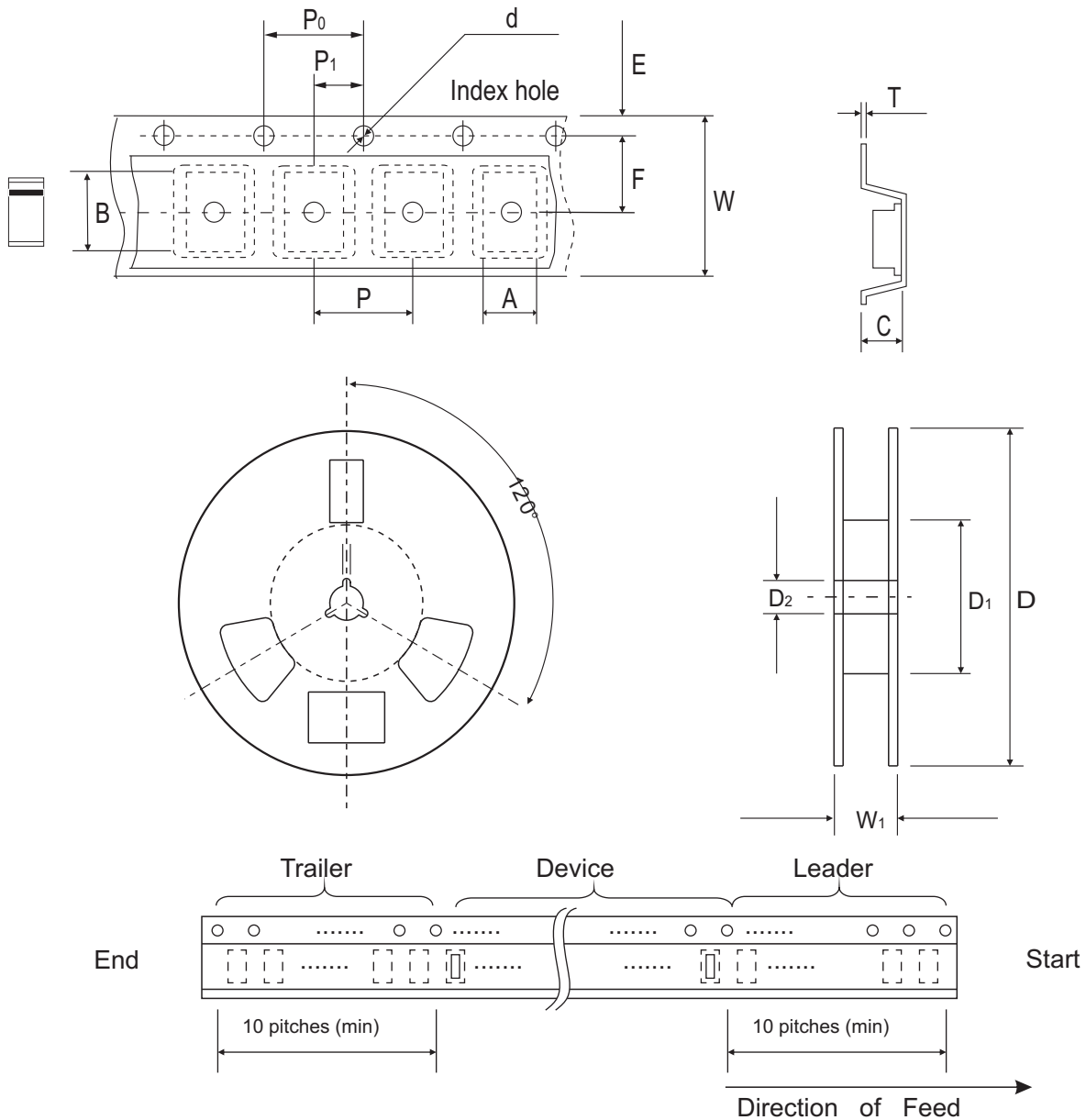


Fig.5- Junction Capacitance



## Reel Taping Specification



KM/SOD-123F	SYMBOL	A	B	C	d	D	D1	D2
	(mm)	$1.90 \pm 0.10$	$3.90 \pm 0.10$	$1.68 \pm 0.10$	$1.50 \pm 0.10$	$178 \pm 2.00$	62.0 MIN.	$13.0 \pm 0.50$
	(inch)	$0.075 \pm 0.04$	$0.154 \pm 0.04$	$0.066 \pm 0.04$	$0.059 \pm 0.004$	$7.00 \pm 0.079$	2.440 MIN.	$0.512 \pm 0.020$

KM/SOD-123F	SYMBOL	E	F	P	P0	P1	T	W	W1
	(mm)	$1.75 \pm 0.10$	$3.50 \pm 0.10$	$4.00 \pm 0.10$	$4.00 \pm 0.10$	$2.00 \pm 0.10$	$0.23 \pm 0.10$	$8.00 \pm 0.30$	$11.40 \pm 1.0$
	(inch)	$0.069 \pm 0.004$	$0.138 \pm 0.004$	$0.157 \pm 0.004$	$0.157 \pm 0.004$	$0.079 \pm 0.004$	$0.009 \pm 0.004$	$0.315 \pm 0.012$	$0.449 \pm 0.004$

## Marking Code

Part Number	Marking Code
CGRKM4001-HF	A1
CGRKM4002-HF	A2
CGRKM4003-HF	A3
CGRKM4004-HF	A4
CGRKM4005-HF	A5
CGRKM4006-HF	A6
CGRKM4007-HF	A7

## Week Code

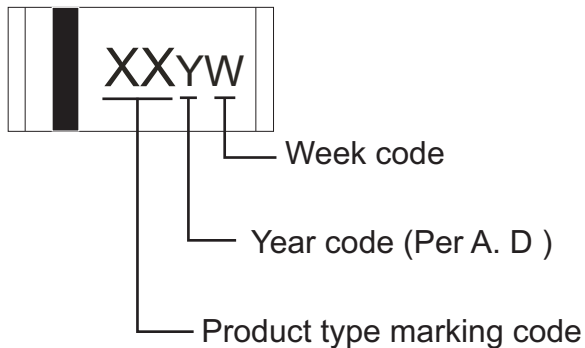
Week	Code	Week	Code	Week	Code	Week	Code
1	A	14	N	27	A	40	N
2	B	15	O	28	B	41	O
3	C	16	P	29	C	42	P
4	D	17	Q	30	D	43	Q
5	E	18	R	31	E	44	R
6	F	19	S	32	F	45	S
7	G	20	T	33	G	46	T
8	H	21	U	34	H	47	U
9	I	22	V	35	I	48	V
10	J	23	W	36	J	49	W
11	K	24	X	37	K	50	X
12	L	25	Y	38	L	51	Y
13	M	26	Z	39	M	52	Z

## Year Code

Y = Year code (Per A. D )  
(2012: 2 , 2013: 3 , .....)

## Product code printed

### - From 1~26 Weeks

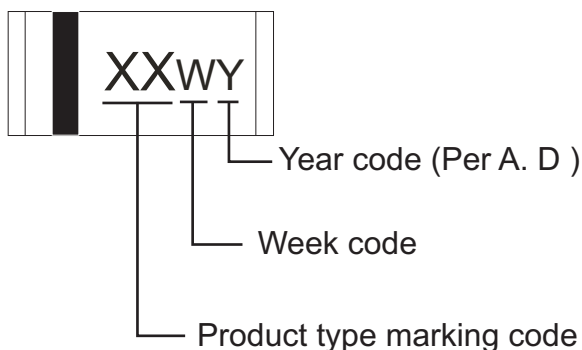


For example as follows:

P/N: CGRKM4005-HF  
Manufacture date\_ Year: 2012 / Week:13  
Product code printed: A52M



### - From 27~52 Weeks



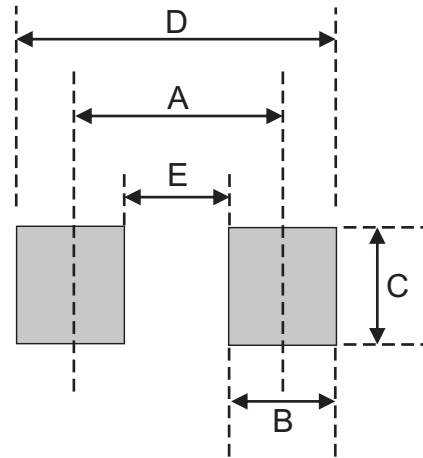
For example as follows:

P/N: CGRKM4005-HF  
Manufacture date\_ Year: 2012 / Week: 39  
Product code printed: A5M2



## Suggested PAD Layout

SIZE	KM/SOD-123F	
	(mm)	(inch)
A	3.30	0.130
B	1.40	0.055
C	1.90	0.075
D	4.70	0.185
E	1.90	0.075



## Standard Packaging

Case Type	Qty Per Reel	Reel Size
	(Pcs)	(inch)
KM/SOD-123F	2,500	7

# Mouser Electronics

Authorized Distributor

Click to View Pricing, Inventory, Delivery & Lifecycle Information:

[Comchip Technology:](#)

[CGRKM4002-HF](#) [CGRKM4006-HF](#) [CGRKM4003-HF](#)