

AS85049/20 Straight Crimp Ring Backshell and Crimp Ring

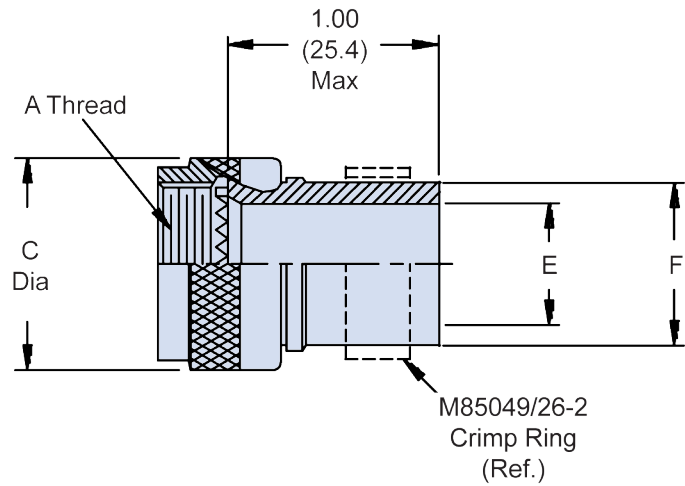
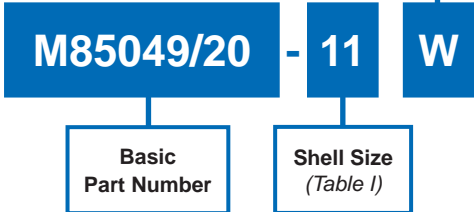


AS85049

B

CONNECTOR DESIGNATOR:	
H	MIL-DTL-38999 Series III and IV EN3645

Finish
<i>N</i> = Electroless Nickel
<i>W</i> = 1,000 Hr. Cadmium Olive Drab over Electroless Nickel
<i>X</i> = Aluminum, Nickel Fluorocarbon Polymer
<i>Z</i> = Aluminum, Zinc-Nickel, Black



Shell Size	A Thread Class 2B	C Dia Max	E Dia ± .015 (0.4)	F Dia Max	M85049/26-2 Crimp Ring Ref
9	M12 X 1 - 6H	.750 (19.1)	.250 (6.4)	.347 (8.8)	8
11	M15 X 1 - 6H	.850 (21.6)	.325 (8.3)	.498 (12.6)	10
13	M18 X 1 - 6H	1.000 (25.4)	.420 (10.7)	.510 (13.0)	12
15	M22 X 1 - 6H	1.100 (27.9)	.540 (13.7)	.630 (16.0)	14
17	M25 X 1 - 6H	1.250 (31.8)	.670 (17.0)	.760 (19.3)	16
19	M28 X 1 - 6H	1.400 (35.6)	.789 (20.0)	.890 (22.6)	18
21	M31 X 1 - 6H	1.500 (38.1)	.914 (23.2)	1.010 (25.7)	20
23	M34 X 1 - 6H	1.650 (41.9)	1.039 (26.4)	1.130 (28.7)	22
25	M37 X 1 - 6H	1.750 (44.5)	1.112 (28.2)	1.202 (30.5)	24

1.	For complete dimensions see the applicable Military Specification.
2.	Metric dimensions (mm) are in parentheses.
3.	Cable Entry is defined as the accommodation range for the wire bundle or cable. Dimensions shown are not intended for inspection criteria.

Dimensions in inches (millimeters) and are subject to change without notice.

Mouser Electronics

Authorized Distributor

Click to View Pricing, Inventory, Delivery & Lifecycle Information:

Glenair:

[M85049/20-25W](#) [M85049/20-9N](#) [M85049/20-23N](#) [M85049/20-23W](#) [M85049/20-25N](#) [M85049/20-11N](#) [M85049/20-11W](#) [M85049/20-13N](#) [M85049/20-13W](#) [M85049/20-15N](#) [M85049/20-15W](#) [M85049/20-17N](#) [M85049/20-17W](#) [M85049/20-21N](#) [M85049/20-21W](#) [M85049/20-9W](#) [M85049/42-20DW](#) [M85049/42-4DB](#) [M85049/20-19N](#) [M85049/20-19W](#)