

THRU-HOLE (THM) & SURFACE MOUNT (SMT) COIN CELL HOLDERS


12mm to 16mm COIN CELL HOLDERS

DESIGN ADVANTAGES...

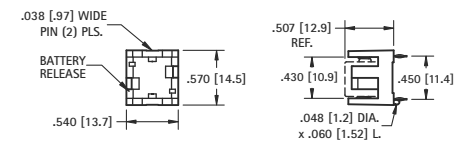
- Reliable spring tension assures low contact resistance
- Retains battery securely to withstand shock and vibration
- Base material UL Rated 94V-0. Impervious to most industrial solvents
- Operating temperature range: -60°F to +293°F (-50°C to +145°C)

IDEALLY SUITED FOR...

- Computer memory, power transfer and back-up systems
- Video and telecommunications power back-up
- Microprocessors and Microcomputer memory hold (desktop and laptop applications)
- Industrial and commercial security and alarm systems
- PC/104 application



THRU HOLE MOUNT




.038 [9.7] WIDE PIN (2) PLS.
BATTERY RELEASE
.570 [14.5]
.540 [13.7]

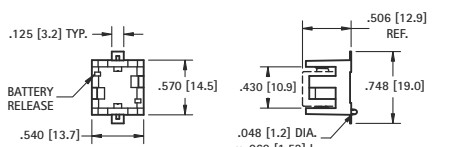
.507 [12.9] REF.
.430 [10.9]
.450 [11.4]
.048 [1.2] DIA. x .060 [1.52] L.

1/3N

AVAILABLE ON TAPE AND REEL



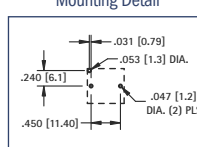
SURFACE MOUNT



.125 [3.2] TYP.
BATTERY RELEASE
.570 [14.5]
.430 [10.9]
.506 [12.9] REF.
.748 [19.0]
.048 [1.2] DIA. x .060 [1.52] L.

MATERIAL:
Base: High Temperature Nylon 46, UL Rated 94V-0
Contacts: .012 (.30) Phosphor Bronze, Tin Plate

Mounting Detail

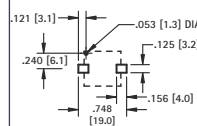


.031 [0.79]
.053 [1.3] DIA.
.240 [6.1]
.450 [11.40]
.047 [1.2] DIA. (2) PLS

MATERIAL:
Base: High Temperature Nylon 46, UL Rated 94V-0
Contacts: .012 (.30) Phosphor Bronze, Gold Plate (Flash)


CAT. NO. BULK	ON TAPE & REEL	CELLS	BATTERY REFERENCE
498	498TR	1	DL1/3N, K58L, CR1/3N
		2	SR44, 357, MS76, G-13, 303, V313, PX76A

Pad Layout

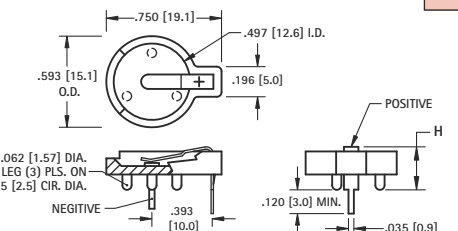


.121 [3.1]
.053 [1.3] DIA.
.125 [3.2]
.240 [6.1]
.748 [19.0]
.156 [4.0]

Tape & Reel Spec's: 44mm wide; 20mm pitch; 13 inch reel (200 pieces per reel)



THRU HOLE MOUNT




.750 [19.1]
.593 [15.1] O.D.
.497 [12.6] I.D.
.196 [5.0]
.062 [1.57] DIA. LEG (3) PLS. ON .375 [2.5] CIR. DIA.
NEGATIVE
.393 [10.0]

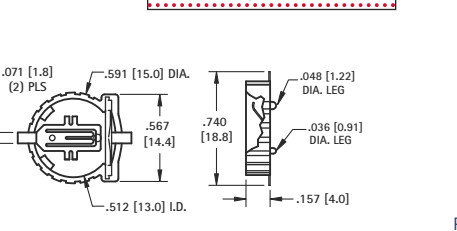
POSITIVE
H
.120 [3.0] MIN.
.035 [0.9]

12mm

AVAILABLE ON TAPE AND REEL



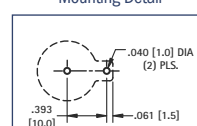
SURFACE MOUNT



.071 [1.8] (2) PLS.
.591 [15.0] DIA.
.740 [18.8]
.048 [1.22] DIA. LEG
.567 [14.4]
.036 [0.91] DIA. LEG
.157 [4.0]
.512 [13.0] I.D.

MATERIAL:
Base: PBT, UL Rated 94V-0
Positive Contact: .015 (.38) Spring Steel, Tin-Nickel Plate
Negative Contact: .035 (.89) Dia. Steel, Tin-Nickel Plate

Mounting Detail

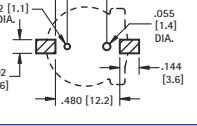


.040 [1.0] DIA (2) PLS.
.393 [10.0]
.061 [1.5]

MATERIAL:
Base: Glass Filled PPS, UL Rated 94V-0
Contacts: .008 (.20) Phosphor Bronze, Gold Plate (Flash)

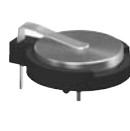
CAT. NO. BULK	ON TAPE & REEL	CELLS	BATTERY REFERENCE
1056	1056TR	1	CR1220, BR1220

Pad Layout

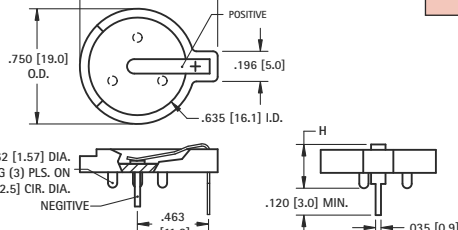


.088 [2.2]
.042 [1.1] DIA.
.295 [7.5]
.055 [1.4] DIA.
.102 [2.6]
.480 [12.2]
.144 [3.6]

Tape & Reel Spec's: 32mm wide; 20mm pitch; 13 inch reel (500 per reel)



THRU HOLE MOUNT




.897 [22.8]
.750 [19.0] O.D.
.635 [16.1] I.D.
.196 [5.0]
.062 [1.57] DIA. LEG (3) PLS. ON .375 [2.5] CIR. DIA.
NEGATIVE
.463 [11.8]

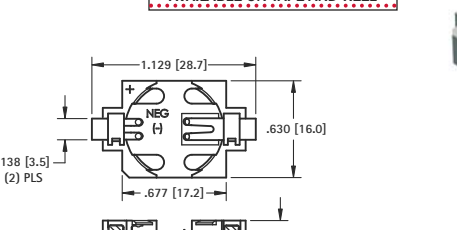
POSITIVE
H
.120 [3.0] MIN.
.035 [0.9]

16mm

AVAILABLE ON TAPE AND REEL



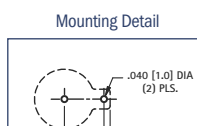
SURFACE MOUNT



.129 [28.7]
.630 [16.0]
.138 [3.5] (2) PLS.
.677 [17.2]
.212 [5.4]

MATERIAL:
Base: Glass Filled LCP, UL Rated 94V-0
Positive Contact: .015 (.38) Spring Steel, Tin-Nickel Plate
Negative Contact: .035 (.89) Dia. Steel, Tin-Nickel Plate

Mounting Detail

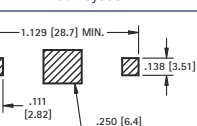


.040 [1.0] DIA (2) PLS.
.463 [11.8]
.061 [1.5]

MATERIAL:
Base: Glass Filled LCP, UL Rated 94V-0
Contacts: .006 (.15) Phosphor Bronze, Gold Plate (Flash)


CAT. NO. BULK	ON TAPE & REEL	CELLS	BATTERY REFERENCE
504	504TR	1	BR1625, CR1632

Pad Layout

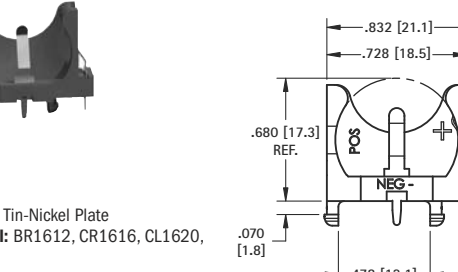


.129 [28.7] MIN.
.138 [3.5]
.250 [6.4] SQUARE ZONE FOR OPTIONAL ADHESIVE
.111 [2.82]

Tape & Reel Spec's: 44mm wide; 24mm pitch; 13 inch reel (450 per reel)



THRU HOLE MOUNT




.832 [21.1]
.728 [18.5]
.680 [17.3] REF.
.070 [1.8]
.478 [12.1]

POS
NEG

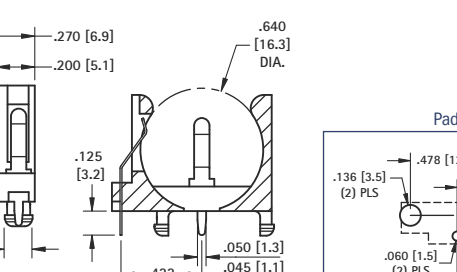
.270 [6.9]
.200 [5.1]
.640 [16.3] DIA.
.125 [3.2]
.145 [3.7] DIA.
.422 [10.7]
.050 [1.3]
.045 [1.1]

16mm VERTICAL

AVAILABLE ON TAPE AND REEL



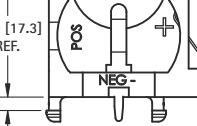
SURFACE MOUNT



.136 [3.5] (2) PLS.
.478 [12.1]
.174 [4.4]
.136 [3.5]
.060 [1.5] (2) PLS.
.422 [10.7]
.047 [1.2]

MATERIAL:
Base: PBT, UL Rated 94V-0
Contacts: .010 (.25) Steel, Tin-Nickel Plate
Battery Reference: (1) cell: BR1612, CR1616, CL1620, CR1625, BR1632

Mounting Detail

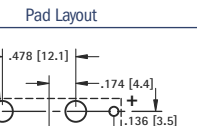


.040 [1.0] DIA (2) PLS.
.463 [11.8]
.061 [1.5]

MATERIAL:
Base: Glass Filled LCP, UL Rated 94V-0
Contacts: .006 (.15) Phosphor Bronze, Gold Plate (Flash)

CAT. NO. BULK	ON TAPE & REEL	CELLS	BATTERY REFERENCE
504	504TR	1	BR1625, CR1632

Pad Layout



.129 [28.7] MIN.
.138 [3.5]
.250 [6.4] SQUARE ZONE FOR OPTIONAL ADHESIVE
.111 [2.82]

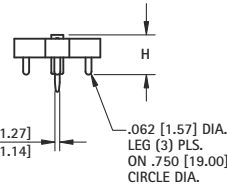
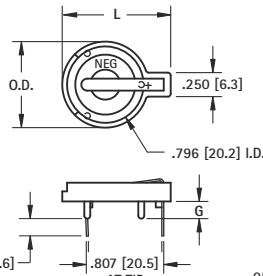
Tape & Reel Spec's: 44mm wide; 24mm pitch; 13 inch reel (450 per reel)

CAT. NO. 1069

20mm THRU-HOLE MOUNT COIN CELL HOLDERS



- Advanced air-flow design enhances air circulation around battery
- Reliable spring tension assures low contact resistance
- Unique notched slots assure quick and easy battery insertion and replacement
- Retains battery securely to withstand shock and vibration
- PBT base material UL rated 94V-0. Impervious to most industrial solvents
- Operating temperature range: -60°F to +293°F (-50°C to +145°C)

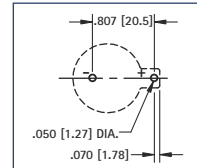


- **Cat. No. 101** is designed to maximize PC Board Capacity
- Unique raised mounting design allows components to be placed underneath the holder
- Ideal when board space is more important than board height, such as PC/104 applicators

MATERIAL:
Contacts: .020 (.50) Spring Steel, Tin-Nickel Plate
Base: PBT, UL Rated 94V-0

CAT. NO.	G	H	L	O.D.	NO. OF CELLS	BATTERY REFERENCE
103	.100 (2.5)	.335 (8.5)	1.130 (28.7)	.896 (22.8)	(1) cell (any 20mm) (2) 2012, (2) 2016	BR2012, CR2012, CR2016, CL2016, DL2020, CL2025, BR2025, CR2032, CL2032
101	.179 (4.6)	.414 (10.5)	1.130 (28.7)	.896 (22.8)	(1) cell (any 20mm) (2) 2012, (2) 2016	BR2012, CR2012, CR2016, CL2016, DL2020, CL2025, BR2025, CR2032, CL2032
106	.100 (2.5)	.335 (8.5)	1.219 (31.0)	1.093 (27.8)	(1) cell (any 20mm) (2) 2012, (2) 2016	BR2012, CR2012, CR2016, CL2016, DL2020, CL2025, BR2025, CR2032, CL2032
1026	.100 (2.5)	.452 (11.5)	1.219 (31.0)	1.093 (27.8)	(2) 2020, (2) 2025, (2) 2032	DL2020, CR2020, CL2025, BR2025, CR2032, CL2032

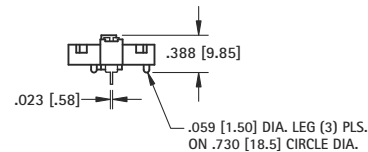
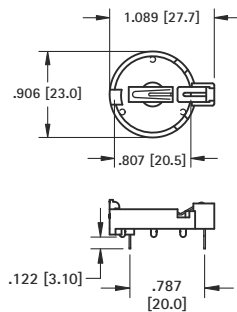
Mounting Detail



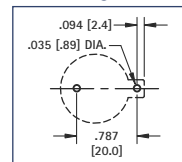
TOP LOADING



- Battery "Pop-in" from top for compact applications
- Finger pressure against lever will release battery
- No tools required for battery changes



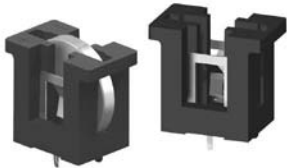
Mounting Detail



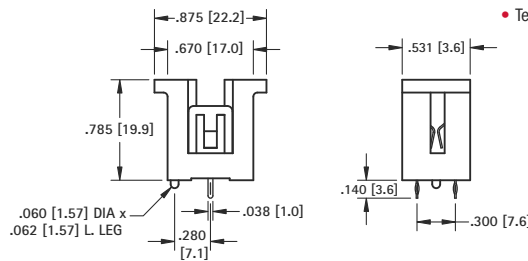
MATERIAL:
Contacts: .016 (.40) Phosphor Bronze, Tin Plate
Base: Nylon UL Rated 94V-0

CAT. NO.	BATTERY REFERENCE
1066	BR2025, CR2032

VERTICAL COMPACT

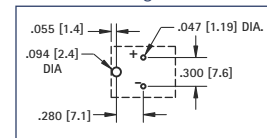


MATERIAL:
Contacts: .012 (.30) Spring Steel, Tin-Nickel Plate
Base: PBT, UL Rated 94V-0



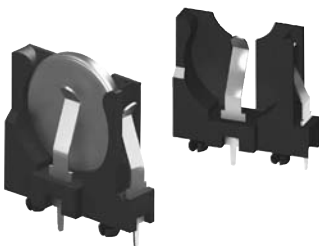
- Accepts all major manufacturers' 20mm diameter batteries
- Molded notch prevents improper insertion of 2032 size cells
- Retains cells securely, withstands shock and vibration
- Polarity clearly marked
- Mounts securely for wave soldering
- Temperature range: -60°F to +293°F (-50°C to +145°C)

Mounting Detail

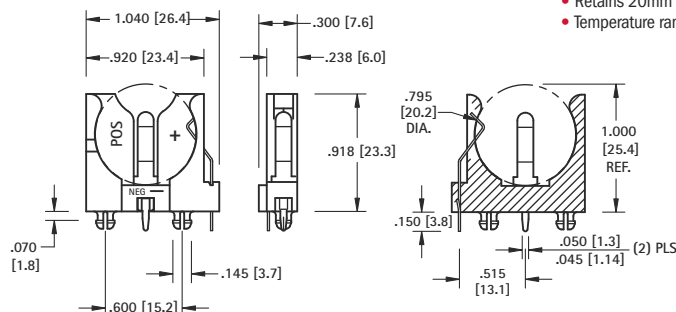


CAT. NO.	BATTERY REFERENCE
1067	CR2016, DL2020, CL2025, CR2032

VERTICAL SLIMLINE

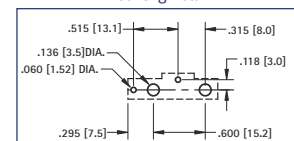


MATERIAL:
Contacts: .016 (.40) Spring Steel, Tin-Nickel Plate
Base: PBT, UL Rated 94V-0



- Polarized holder
- Mounts securely for wave soldering
- Reliable spring tension assures low contact resistance
- Retains 20mm batteries securely to withstand shock and vibration
- Temperature range -60°F to +293°F (-50°C to +145°C)

Mounting Detail



CAT. NO.	BATTERY REFERENCE
1065	BR2012, CR2016, DL2020, CL2025, CR2032

THRU-HOLE (THM) & SURFACE MOUNT (SMT) COIN CELL HOLDERS

20mm COIN CELL HOLDERS

DESIGN ADVANTAGES...

- Reliable spring tension assures low contact resistance
- Retains battery securely to withstand shock and vibration
- All conductive polystyrene carrier tape meets ANSI/EIA - 481 standard

- Base material UL Rated 94V-0. Impervious to most industrial solvents
- Operating temperature range: -60°F to +293°F (-50°C to +145°C)

IDEALLY SUITED FOR...

- Computer memory, power transfer and back-up systems
- Video and telecommunications power back-up
- Microprocessors and Microcomputer memory hold (desktop and laptop applications)

- Industrial and commercial security and alarm systems
- Communications power sources
- PC/104 applications

20mm CELLS



- Polarity clearly marked (+)
- Compatible with vacuum and mechanical pick & place assembly systems
- Low profile for high density packaging
- Rugged construction, light weight
- SMT solder tail with "Flow-Hole" design for increased joint strength
- Viewable solder tails assures reliable joint inspection
- Safe for all soldering & reflow operations

MATERIAL:

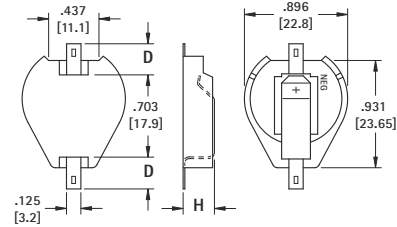
Contacts: .015 (.38) Steel

Base: High Temperature, Nylon 46, UL Rated 94V-0

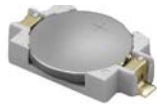
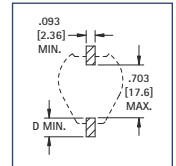
Tin-Nickel Plate		Gold Plate (Flash)		D PAD SIZE	H HEIGHT	CELLS	BATTERY REFERENCE
CAT. NO. BULK	ON TAPE & REEL	CAT. NO. BULK	ON TAPE & REEL				
1061	1061TR	1081	1081TR	.156 (4.0)	.290 (7.4)	(1) Cell (any 20mm) (2) 2012, (2) 2016	CR2012, CL2016, BR2020, DL2032 CR2032
1063	1063TR	1093	1093TR	.278 (7.1)		(2) 2020, (2) 2025, (2) 2032	
1062	1062TR	1082	1082TR	.156 (4.0)	.391 (9.9)	(3) 2012, (3) 2016	
1064	1064TR	1094	1094TR	.278 (7.1)			

Tape & Reel Spec's: 44mm wide; 32mm pitch; 13 inch reel (200 pieces per reel)

AVAILABLE ON TAPE AND REEL



Pad Layout

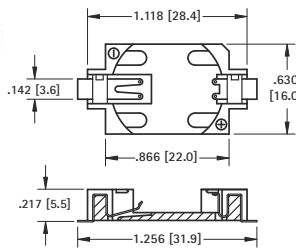


Surface Mount

AVAILABLE ON TAPE AND REEL

2025 / 2032 CELL

- Polarized Holders
- Low Profile for high density packaged PCB's
- Vertical entry



- Compatible with vacuum and mechanical pick & place assembly systems

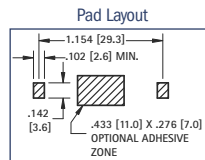
MATERIAL:

Contacts: .006 (.15) Phosphor Bronze, Gold Plate (Flash)

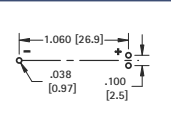
Base: Glass Filled LCP, UL Rated 94V-0

CAT. NO. BULK	ON TAPE & REEL	BATTERY REFERENCE
1060	1060TR	CR2025, DL2032

Tape & Reel Spec's: 44mm wide; 24mm pitch; 13 inch reel (500 pieces per reel)



Mounting Detail



MATERIAL:

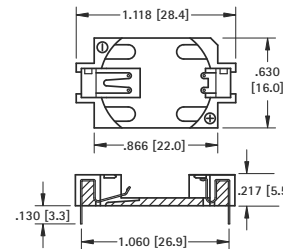
Contacts: .006 (.15) Phosphor Bronze, Tin Plate

Base: Glass Filled LCP, UL Rated 94V-0

CAT. NO.	BATTERY REFERENCE
1059	CR2025, DL2032



Thru Hole Mount



INSULATED RETAINERS

AVAILABLE ON TAPE AND REEL

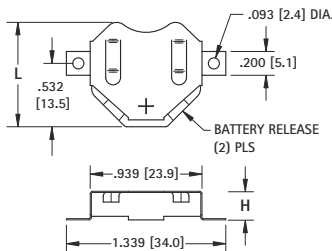
20mm CELLS

- Ideal for 6 volt or 3 volt applications
- Two coin cell batteries can be installed in series
- Plastic insulator prevents shorting of battery, within the holder, when installed improperly
- Low profile
- Battery release ports for easy battery replacement
- Refer to pages 6 & 7 for a complete offering of coin cell retainers

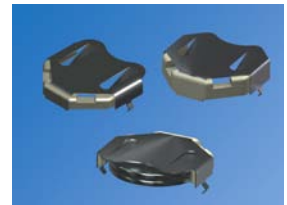
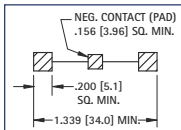
MATERIAL: Contacts: .010 (.25) Phosphor Bronze Insulator: High Temperature, Nylon 46, UL Rated 94V-0



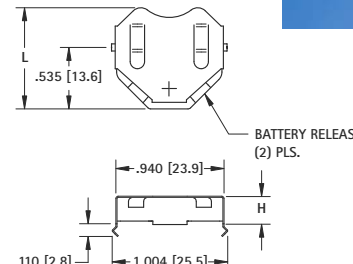
Surface Mount



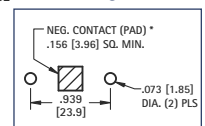
Pad Layout



Thru Hole Mount



Mounting Detail



Surface Mount						BATTERY REFERENCE				Thru Hole Mount	
Tin-Nickel Plate			Matte Tin Plate			6 VOLT (2) CELLS	3 VOLT (1) CELL	L	H	Tin-Nickel Plate	
CAT. NO. LOOSE*	CAT. NO. BULK	ON TAPE & REEL	CAT. NO. LOOSE*	CAT. NO. BULK	ON TAPE & REEL					CAT. NO. LOOSE*	CAT. NO. BULK
3020-2	3020	3020TR	3070-2	3070	3070TR	2012, 2016	2020, 2025	.890 (22.6)	.156 (4.0)	3021-2	3021
3022-2	3022	3022TR	3072-2	3072	3072TR	2020, 2025	2032	.877 (22.3)	.240 (6.1)	3023-2	3023
3024-2	3024	3024TR	3074-2	3074	3074TR	2032	Not Applicable	.877 (22.3)	.295 (7.5)	3025-2	3025

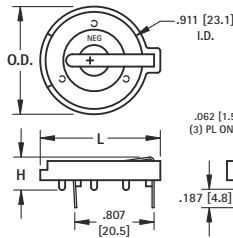
* Supplied Unassembled

Tape & Reel Spec's: 56mm wide; 28mm pitch; 13 inch reel: 3020TR, 3070TR 400 pieces per reel; 3022TR, 3072TR 250 pieces per reel; 3024TR, 3074TR 250 pieces per reel

THRU-HOLE (THM) & SURFACE MOUNT (SMT) COIN CELL HOLDERS

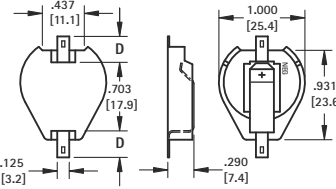
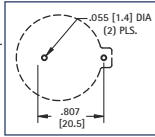
23mm

AVAILABLE ON TAPE AND REEL



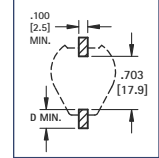
- Polarity clearly marked (+)
- Rugged construction, light weight
- SMT solder tail with "Flow-Hole" design for increased joint strength
- Viewable solder tails assures reliable joint inspection
- Safe for all soldering & reflow operations
- Compatible with vacuum and mechanical pick & place assembly systems

Mounting Detail



Surface Mount

Pad Layout



MATERIAL:

Contacts: .020 (.50) Spring Steel, Tin-Nickel Plate
Base: PBT, UL Rated 94V-0

Operating Temperature: -60°F to +293°F (-50°C to +145°C)

CAT. NO.	H	L	O.D.	NO. OF CELLS	BATTERY REFERENCE
104	.335 (8.5)	1.150 (29.2)	1.000 (25.4)	(1) Cell (Any 23mm)	BR2320, CR2320, CL2325, DL2330, CL2354, CR2335
107	.335 (8.5)	1.219 (31.0)	1.093 (27.8)	(1) Cell (Any 23mm)	
1027	.452 (11.5)	1.219 (31.0)	1.093 (27.8)	(2) 2320, (2) 2325, (2) 2330	

MATERIAL:

Contacts: .015 (.38) Steel

Base: High Temp Nylon 46, UL Rated 94V-0

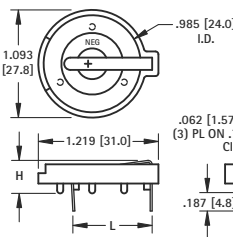
Operating Temperature: -60°F to +293°F (-50°C to +145°C)

Tin-Nickel Plate		Gold Plate (Flash)		D PAD SIZE	BATTERY REFERENCE
CAT. NO.	ON TAPE & REEL	CAT. NO.	ON TAPE & REEL		
1071	1071TR	1091	1091TR	.156 (4.0)	CR2320, CL2325,
1073	1073TR	1083	1083TR	.278 (7.1)	DL2330, CR2335

Tape & Reel Spec's: 44mm wide; 32mm pitch; 13 inch reel, (200 pieces per reel)

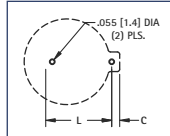
Note: All conductive polystyrene carrier tape meets ANSI/EIA - 481 standard

24mm

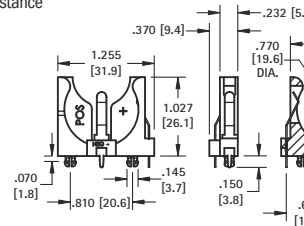


- Advanced air-flow design enhances air circulation around battery
- Unique notched slots assure quick and easy battery insertion and replacement

Mounting Detail



- Polarized holder
- Mounts securely for wave soldering
- Reliable spring tension assures low contact resistance



Thru Hole Mount

MATERIAL:

Base: PBT, UL Rated 94V-0

Contacts: .020 (.50) Spring Steel, Tin-Nickel Plate

Operating Temperature: -60°F to +293°F (-50°C to +145°C)

CAT. NO.	C	H	L	NO. OF CELLS	BATTERY REFERENCE
105	.064 (1.6)	.335 (8.5)	.805 (20.5)	(1) 2430	CR2430, CL2430, BR2450, CR2477
1025	.074 (1.9)	.452 (11.5)	.805 (20.5)	(1) 2450	
1025-7	.074 (1.9)	.503 (12.8)	.805 (20.5)	(1) 2477	
				(2) 2430	

MATERIAL:

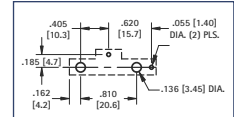
Base: PBT, UL Rated 94V-0

Contacts: .020 (.50) Spring Steel, Tin-Nickel Plate

Operating Temperature: -60°F to +293°F (-50°C to +145°C)

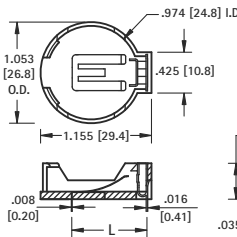
CAT. NO.	BATTERY REFERENCE
1068	(1) CR2450, (1) CL2450

Mounting Detail



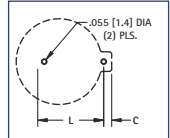
24mm TOP Loading

AVAILABLE ON TAPE AND REEL

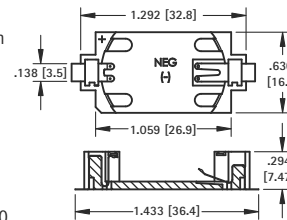


- Battery "Pop-in" from top for compact designs
- No tools required
- Finger pressure battery release

Mounting Detail



- Polarized holder
- Low profile for densely packed PCB's
- Compatible with vacuum and mechanical pick & place systems
- Conductive carrier tape meets ANSA/EIA- 481 standard



Surface Mount

MATERIAL:

Contacts: Phosphor Bronze, Nickel Plate

Base: High Temp Nylon 46, UL Rated 94V-0

Operating Temperature: -60°F to +293°F (-50°C to +145°C)

CAT. NO.	L	C	BATTERY REFERENCE
1053	.788 (20.0)	.048 (1.2)	(1) CR2450

MATERIAL:

Base: LCP, UL Rated 94V-0

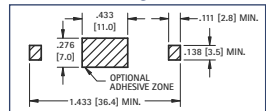
Contacts: .020 (.50) Spring Steel, Tin-Nickel Plate

Operating Temperature: -60°F to +293°F (-50°C to +145°C)

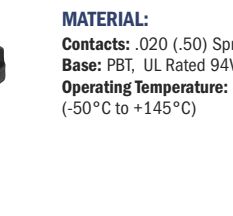
CAT. NO.	ON TAPE & REEL	BATTERY REFERENCE
1052	1052TR	(1) CR2450

Tape & Reel Spec's: 56mm wide; 24mm pitch; 13 inch reel, (250 pieces per reel)

Mounting Detail

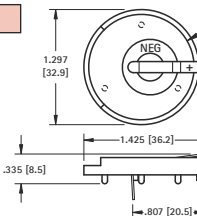


30mm



MATERIAL:
Contacts: .020 (.50) Spring Steel, Tin-Nickel Plate
Base: PBT, UL Rated 94V-0
Operating Temperature: -60°F to +293°F (-50°C to +145°C)

CAT. NO.	BATTERY REFERENCE
301	BR3032



Mounting Detail

