

PLEASE CHECK WWW.MOLEX.COM FOR LATEST PART INFORMATION

Part Number: [1053101204](#)
Status: **Active**
Overview: Nano-Fit™ Power Connectors
Description: Nano-Fit™ Vertical Header, Through Hole, 2.50mm Pitch, Dual Row, 4 Circuits, with Kinked Pins, 0.38µm Gold (Au) Plating, Black

Documents:

3D Model	Packaging Specification PK-105309-100-000 (PDF)
Drawing (PDF)	RoHS Certificate of Compliance (PDF)
Product Specification PS-105300-100-001 (PDF)	Product Literature (PDF)

Agency Certification

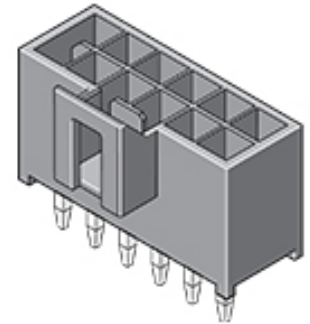
CSA	LR19980
UL	E29179

General

Product Family	PCB Headers
Series	105310
Application	Power, Wire-to-Board
Overview	Nano-Fit™ Power Connectors
Product Literature Order No	987651-1223
Product Name	Nano-Fit™
UPC	887191933528

Physical

Breakaway	No
Circuits (Loaded)	4
Circuits (maximum)	4
Color - Resin	Black
Durability (mating cycles max)	50
Flammability	94V-0
Glow-Wire Compliant	No
Guide to Mating Part	No
Keying to Mating Part	Yes
Lock to Mating Part	Yes
Material - Metal	Brass
Material - Plating Mating	Gold over Nickel
Material - Plating Termination	Tin over Nickel
Material - Resin	Liquid Crystal Polymer
Net Weight	0.430/g
Number of Rows	2
Orientation	Vertical
PC Tail Length	3.20mm
PCB Locator	Yes
PCB Retention	Yes
PCB Thickness - Recommended	1.60mm, 2.40mm
Packaging Type	Tray
Pitch - Mating Interface	2.50mm
Pitch - Termination Interface	2.50mm
Plating min - Mating	0.381µm
Plating min - Termination	1.524µm
Polarized to Mating Part	Yes
Polarized to PCB	Yes
Shrouded	Yes
Stackable	No
Surface Mount Compatible (SMC)	No
Temperature Range - Operating	-40°C to +115°C



Series image - Reference only

EU ELV

Not Relevant

EU RoHS

Compliant

REACH SVHC

Not Contained Per -
ED/21/2016 (20 June
2016)

Halogen-Free

Status

Low-Halogen

Need more information on product environmental compliance?

Email productcompliance@molex.com
Please visit the [Contact Us](#) section for any non-product compliance questions.

China ROHS

ELV

RoHS Phthalates

Green Image

Not Relevant

Not Contained

Search Parts in this Series

[105310](#) Series

Mates With

Nano-Fit™ Receptacle Housing [105308](#)

Termination Interface: Style

Through Hole

Electrical

Current - Maximum per Contact

6.5A

Voltage - Maximum

300V

Material Info

Reference - Drawing Numbers

Packaging Specification

PK-105309-100-000

Product Specification

PS-105300-100-001

Sales Drawing

SD-105310-100-000

This document was generated on 12/28/2016

PLEASE CHECK WWW.MOLEX.COM FOR LATEST PART INFORMATION