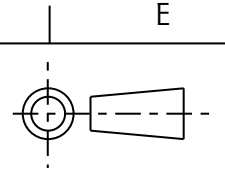


ISS.	DATE	E.C.N.	DESCRIPTION
1	25-May-07		FIRST ISSUE

© 2007 CARCLO  
ALL DIMENSIONS IN mm



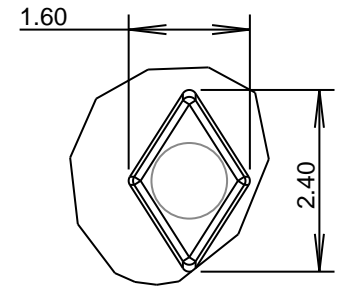
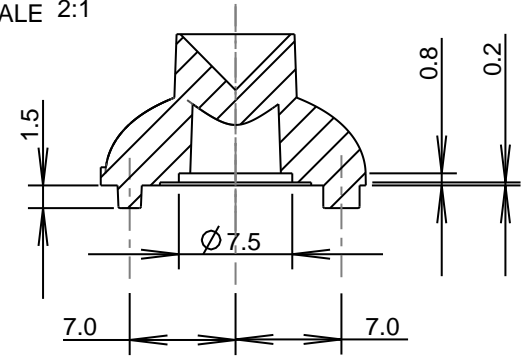
GENERAL VIEW  
SCALE 1:1



CARCLO TECHNICAL PLASTICS (SLOUGH)  
111 BUCKINGHAM AVE, SLOUGH  
SL1 4PF, ENGLAND  
TEL: +44 1753 575011 FAX: +44 1753 811359  
e-mail: design@carclo-optics.com}

CUSTOMER DRAWING

SECTION A-A  
SCALE 2:1



DETAIL C  
SCALE 10:1

GENERAL TOLERANCES (UNLESS STATED)

LINEAR	ANGULAR
X +/- 0.25	X +/- 1°
X.X +/- 0.1	X.X +/- 0.5°
X.XX +/- 0.05	X.XX +/- 0.1°

CUSTOMER

CARCLO

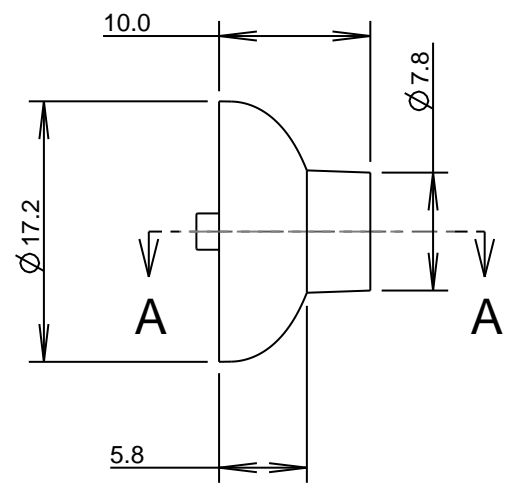
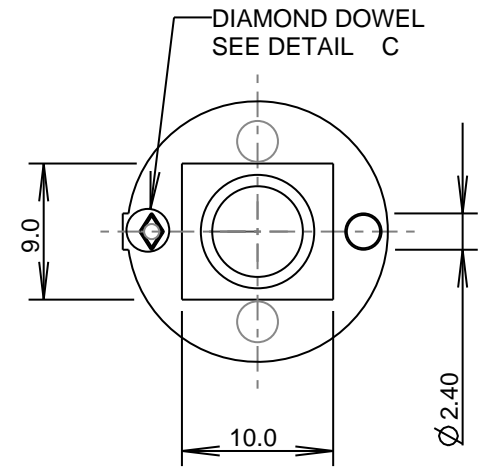
TITLE

10MM HIGH SIDE EMITTER  
OPTIC FOR LUXEON REBEL

DRAWN AJD DATE 25-May-07

CHK'D DATE

APP'D DATE



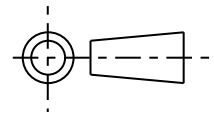
MATERIAL: POLYCARBONATE

SCALE 2:1 CARCLO PART No. 10267

SIZE A4 CARCLO DRG. No. 60465 SHEET 1 OF 2

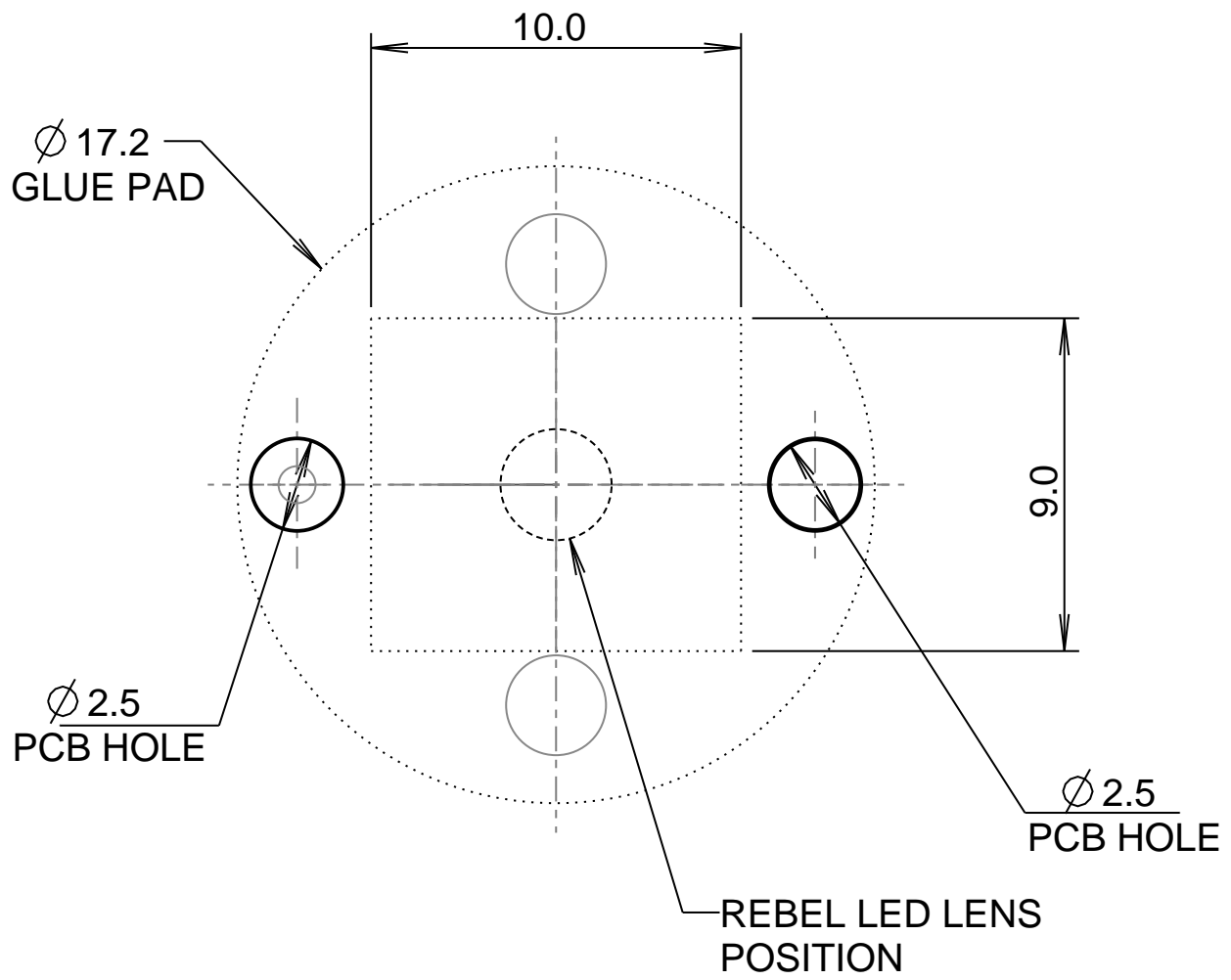
ISS.	DATE	E.C.N.	DESCRIPTION
1	25-May-07		FIRST ISSUE

© 2007 CARCLO  
ALL DIMENSIONS IN mm



CARCLO TECHNICAL PLASTICS (SLOUGH)  
111 BUCKINGHAM AVE, SLOUGH  
SL1 4PF, ENGLAND  
TEL: +44 1753 575011 FAX: +44 1753 811359  
e-mail: design@carclo-optics.com}

PCB GLUE PAD AND ALIGNMENT HOLE  
LAYOUT DIMENSIONS



GENERAL TOLERANCES (UNLESS STATED)

LINEAR	ANGULAR
X +/- 0.25	X +/- 1°
X.X +/- 0.1	X.X +/- 0.5°
X.XX +/- 0.05	X.XX +/- 0.1°

CUSTOMER		
CARCLO		
TITLE		
10MM HIGH SIDE EMITTER OPTIC FOR LUXEON REBEL		
DRAWN	DATE	
AJD	25-May-07	
CHK'D	DATE	
APP'D	DATE	
SCALE	CARCLO PART No.	
5:1	10267	
SIZE	CARCLO DRG. No.	SHEET
A4	60465	2 OF 2