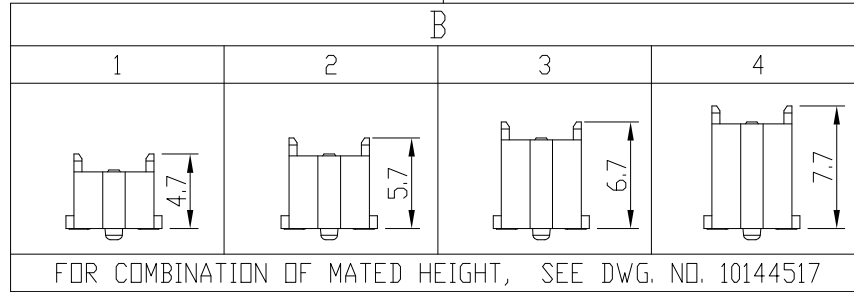


10144518- AA B C D E FF

AA	NO. OF POSITIONS
04	2X20
06	2X30
08	2X40
10	2X50
12	2X60

E	PACKAGING
2	T&R WITH METAL CAP
3	T&R WITHOUTL CAP

D	FEATURE	HOLD DOWN
0	YES	NO
2	NO	NO



C	PLATING	FF
8	GOLD FLASH ON CONTACT AREA ; PURE MATT TIN 2.5um MIN ON SOLDER TAIL; NICKEL UNDERPLATE OVERALL 1.27um. (LEADFREE PLATING)	LF

NOTE:

- MATERIAL:
HOUSING: G.F. LCP, NATURAL, UL94-V0
TERMINAL: COPPER ALLOY
- PLATING: AS SHOWN IN TABLE.
- SEE GS-12-1424 FOR PRODUCT SPEC.
- THIS PRODUCT MEETS THE EUROPEAN UNION DIRECTIVES AND OTHER COUNTRY REGULATIONS AS DESCRIBED IN GS-22-008.
- THE HOUSING WILL WITHSTAND EXPOSURE UP TO 260~ PEAK TEMPERATURE FOR 30 SECONDS IN A CONVECTION, INFRA-RED OR VAPOR PHASE REFLOW OVEN.

mat'l. code		surface <input checked="" type="checkbox"/> ISO 1302		tolerance <input checked="" type="checkbox"/> ISO 406		projection <input checked="" type="checkbox"/> ISO 1101		product family	
A		tolerances unless otherwise specified		linear		mm		BERGSTAK	
B		angles		.0±.2		scale 1:1		title	
C		0°±3'		.00±.15				PLUG ASSY	
		dr		.000±.10				BERGSTAK 0.8MM	
		engr						dwg no	
		chr						sheet 1 of 6	
		appd						size	
sheet index		revision		A		B		C	
		sheet		1~6		1~6		1~6	

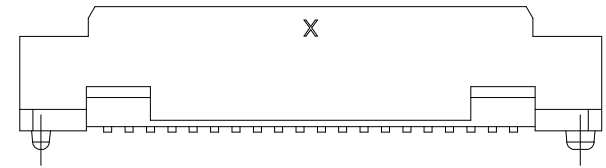
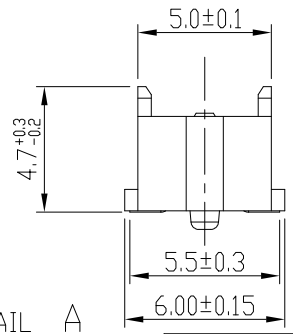
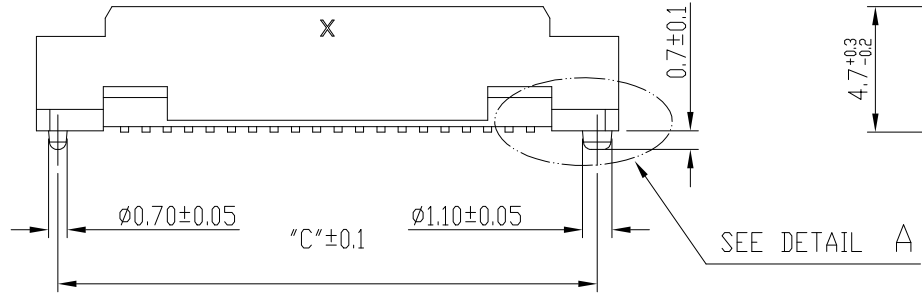
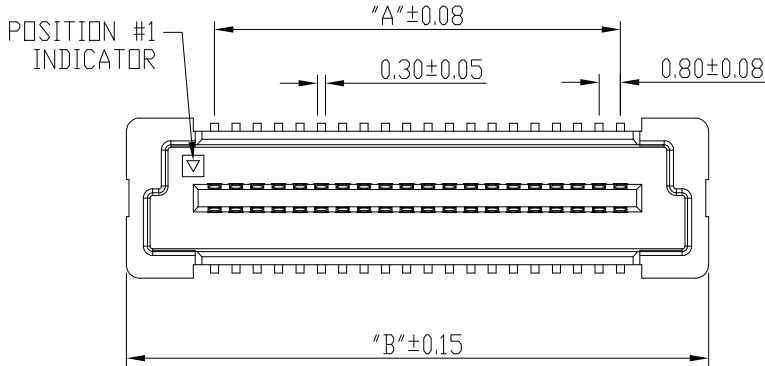
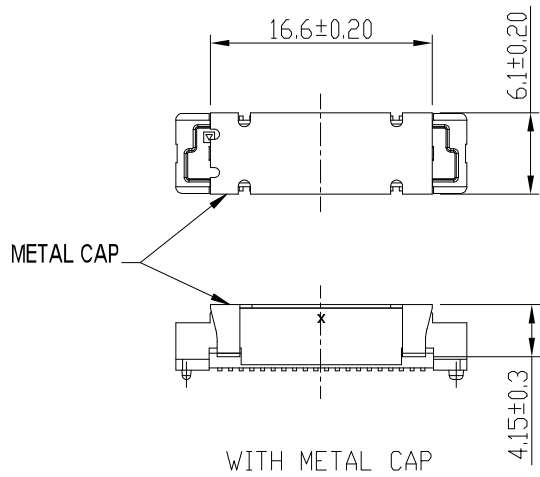


© 2016 AFCE
 Amphenol FCI

PRODUCT NO.	NO. OF POSITION	DIMENSION		
		A	B	C
10144518-041***	2X20	15.2	21.8	20.2
10144518-061***	2X30	23.2	29.8	28.2
10144518-081***	2X40	31.2	37.8	36.2
10144518-101***	2X50	39.2	45.8	44.2
10144518-121***	2X60	47.2	53.8	52.2

COPLANARITY OF TAIL:
0.10 MAX. APPLIED TO 2X20 TO 2X60 PDS

DETAIL A
SCALE 10:1



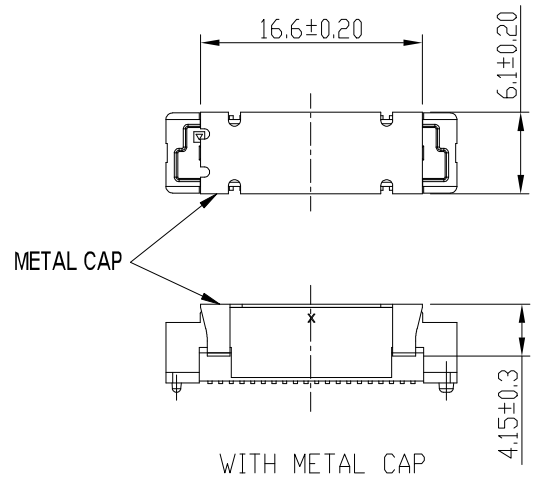
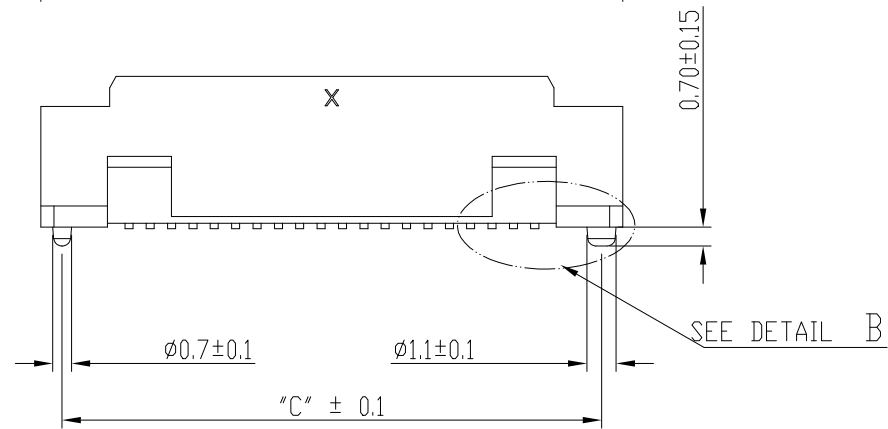
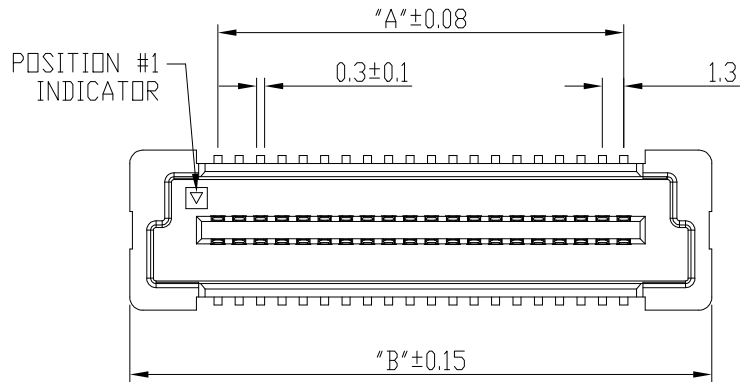
PLUG 1

mat'l. code		surface ISO 1302 ✓		tolerance ISO 406 ISO 1101		projection		product family	
ltr		ecn no		dr		date		BERGSTAK	
c		angles		linear		mm		title	
		0°±3'		.0±.2		scale 1:1		PLUG ASSY	
				.00±.15				BERGSTAK 0.8MM	
				.000±.10				dwg no	
		dr		Bob Gu		07/05/17		sheet 2 of 6	
		enr		Bob Gu		02/22/19		size	
		chr		LQ Lei		02/22/19		A3	
		appd		Tim Yao		02/22/19		type	
sheet index		revision sheet		A 1~6		B 1~6		Product Customer Drawing	

Amphenol FCI

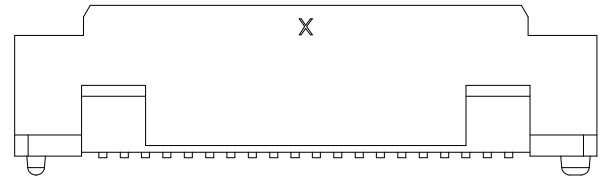
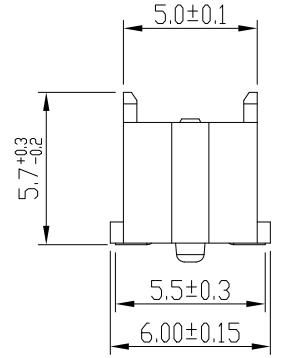
© 2016 AFCI

PRODUCT NO.	NO. OF POSITION	DIMENSION		
		A	B	C
10144518-042***	2X20	15.2	21.8	20.2
10144518-062***	2X30	23.2	29.8	28.2
10144518-082***	2X40	31.2	37.8	36.2
10144518-102***	2X50	39.2	45.8	44.2



COPLANARITY OF TAIL
0.10 MAX. APPLIED TO 2X20 TO 2X50 POS

DETAIL B
SCALE 10:1

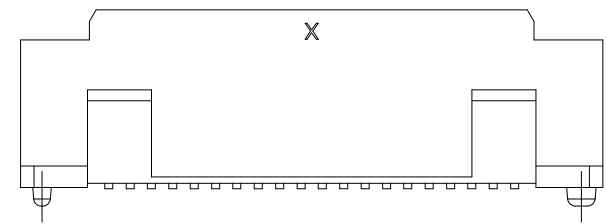
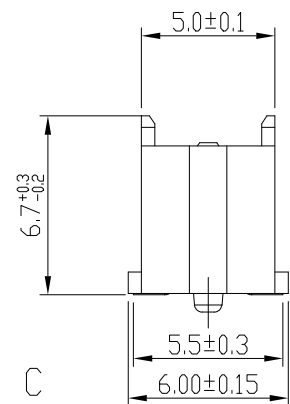
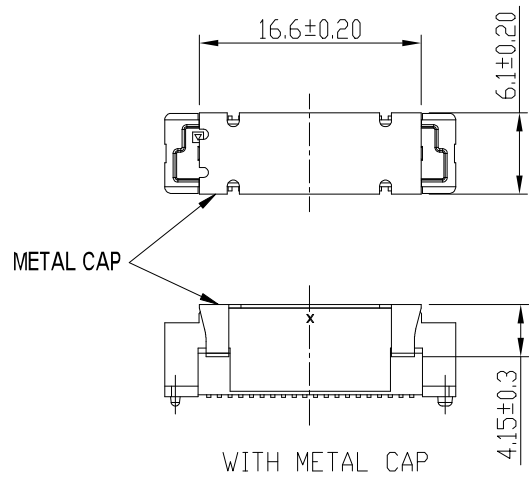
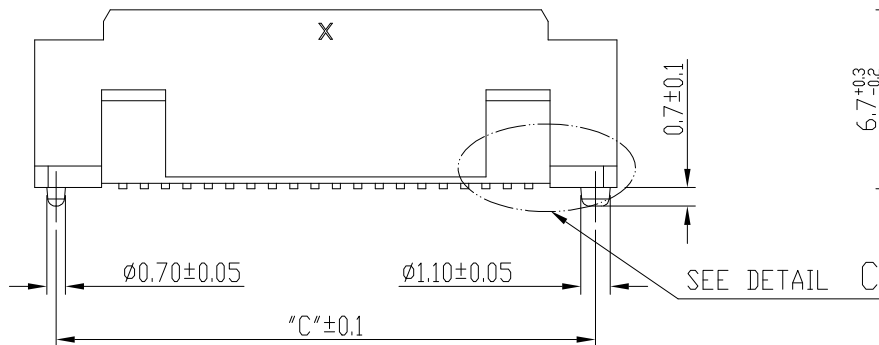
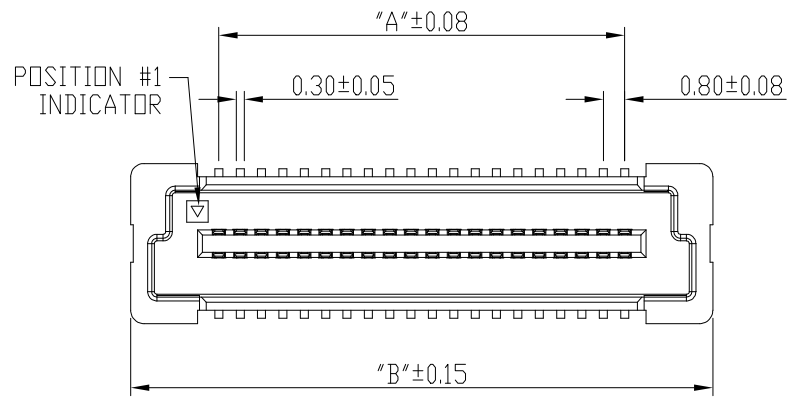


PLUG 2

mat'l. code		surface ISO 1302 ✓		tolerance ISO 406 ISO 1101		projection		product family	
ltr		ecn no		dr		date		BERGSTAK	
c								title	
								PLUG ASSY	
								BERGSTAK 0.8MM	
								dwg no	
								sheet 3 of 6	
								size	
								A3	
								type	
								Product Customer Drawing	
sheet index		revision sheet		A B C		1~6 1~6 1~6			

Amphenol FCI

PRODUCT NO.	NO. OF POSITION	DIMENSION		
		A	B	C
10144518-043***	2X20	15.2	21.8	20.2
10144518-063***	2X30	23.2	29.8	28.2
10144518-083***	2X40	31.2	37.8	36.2
10144518-103***	2X50	39.2	45.8	44.2



COPLANARITY OF TAIL:
0.10 MAX. APPLIED TO 2X20 TO 2X50
PDS

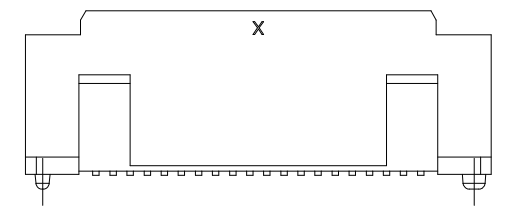
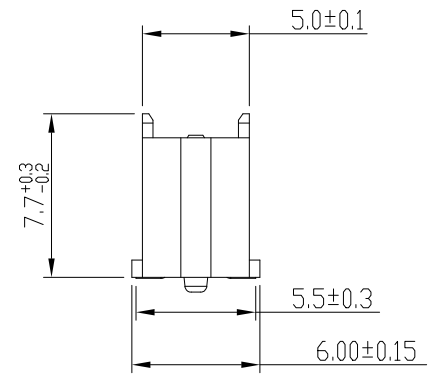
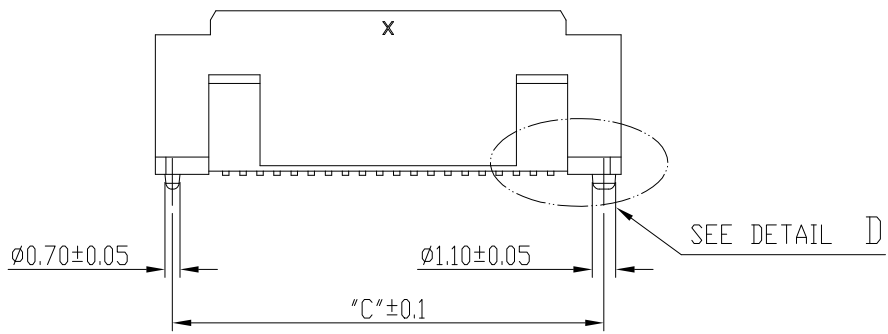
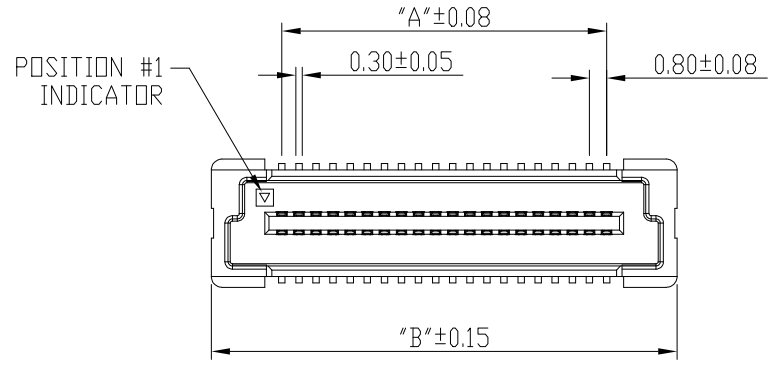
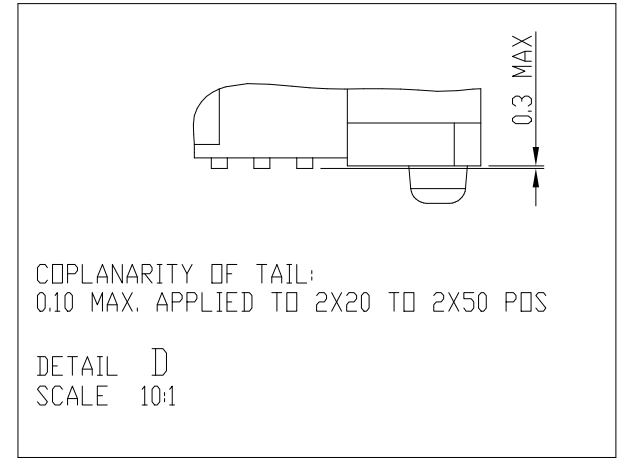
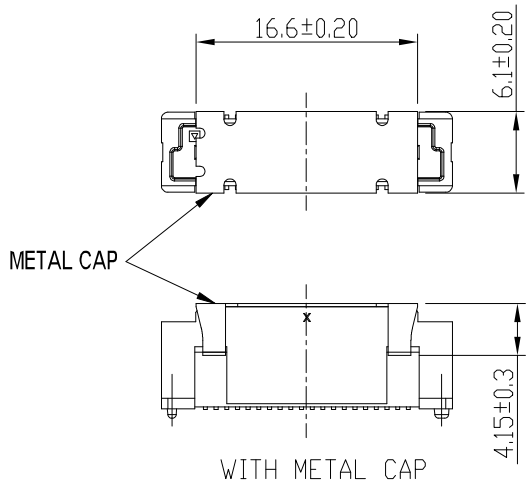
DETAIL C
SCALE 10:1

PLUG 3

mat'l. code		surface ISO 1302 ✓		tolerance ISO 406 ISO 1101		projection		product family	
ltr		ecn no		dr		date		BERGSTAK	
c								title	
								PLUG ASSY	
								BERGSTAK 0.8MM	
								dwg no	
								sheet 4 of 6	
								size	
								A3	
								type	
								Product Customer Drawing	
sheet index		revision sheet		A B C		1~6 1~6 1~6			

Amphenol FCI
 © 2016 AFCI

PRODUCT NO.	NO. OF POSITION	DIMENSION		
		A	B	C
10144518-044***	2X20	15.2	21.8	20.2
10144518-064***	2X30	23.2	29.8	28.2
10144518-084***	2X40	31.2	37.8	36.2
10144518-104***	2X50	39.2	45.8	44.2



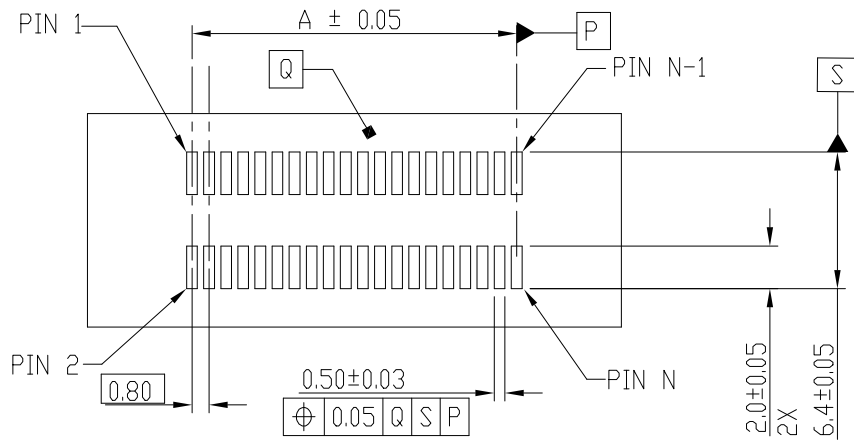
SEE DETAIL DD

PLUG 4

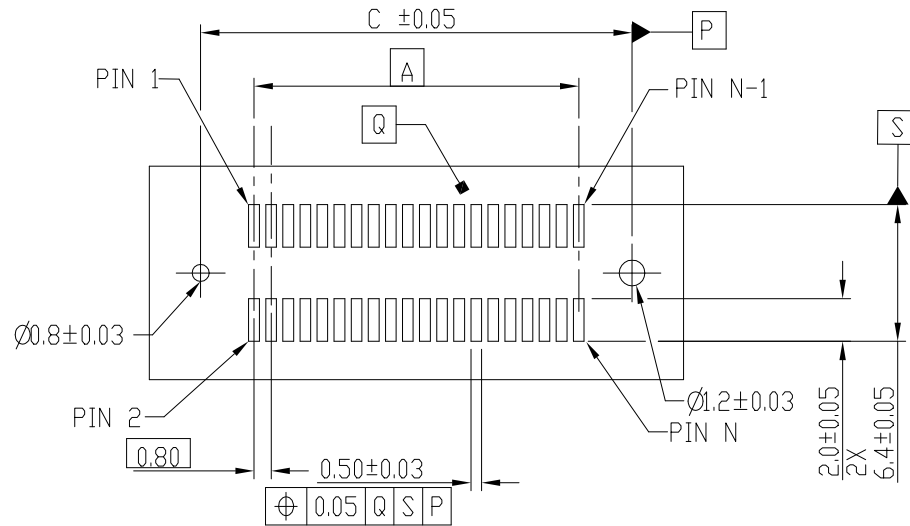
mat'l. code		surface ISO 1302 ✓		tolerance ISO 406 ISO 1101		projection		product family	
ltr		ecn no		dr		date		BERGSTAK	
c								title	
								PLUG ASSY	
								BERGSTAK 0.8MM	
								dwg no	
								sheet 5 of 6	
								size	
								A3	
								type	
								Product Customer Drawing	
sheet index		revision sheet		A B C		1~6 1~6 1~6			

Amphenol FCI © 2016 AFCI

FOR PLUG 1/2/3/4



RECOMMENDED PCB LAYOUT WITHOUT PEG AND HOLDDOWN FOR NO. OF PDS 2X20, 2X30, 2X40, 2X50, 2X60



RECOMMENDED PCB LAYOUT WITH PEG FOR NO. OF PDS 2X20, 2X30, 2X40, 2X50, 2X60

Amphenol FCI

© 2016 AFCI

mat'l. code		surface ISO 1302 ✓		tolerance ISO 406 ISO 1101		projection		product family	
ltr		ecn no		date		tolerances unless otherwise specified		BERGSTAK	
c						linear		title	
						.0±.2		PLUG ASSY	
						.00±.15		BERGSTAK 0.8MM	
						.000±.10		scale 1:1	
				dr		Bob Gu 07/05/17		dwg no	
				engr		Bob Gu 02/22/19		sheet 6 of 6	
				chr		LQ Lei 02/22/19		size	
				appd		Tim Yao 02/22/19		A3	
sheet index		revision sheet		A B C				type	
		1~6 1~6		1~6				Product Customer Drawing	

