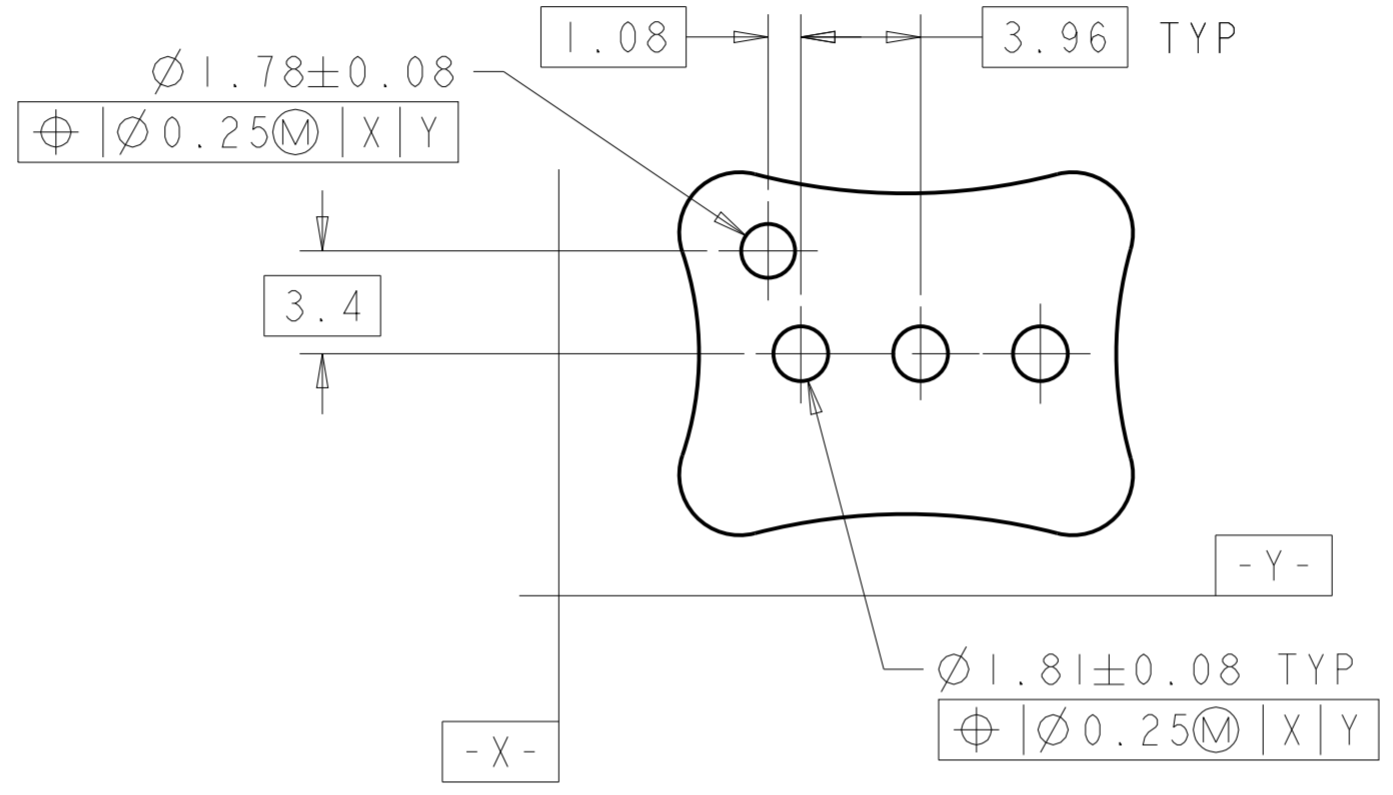
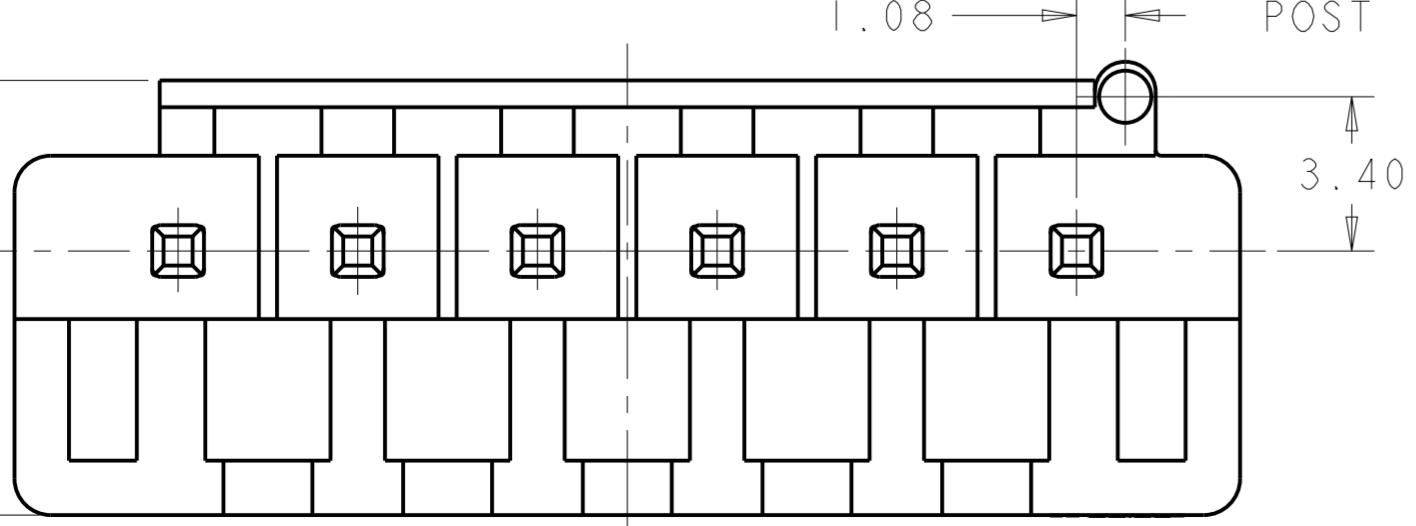
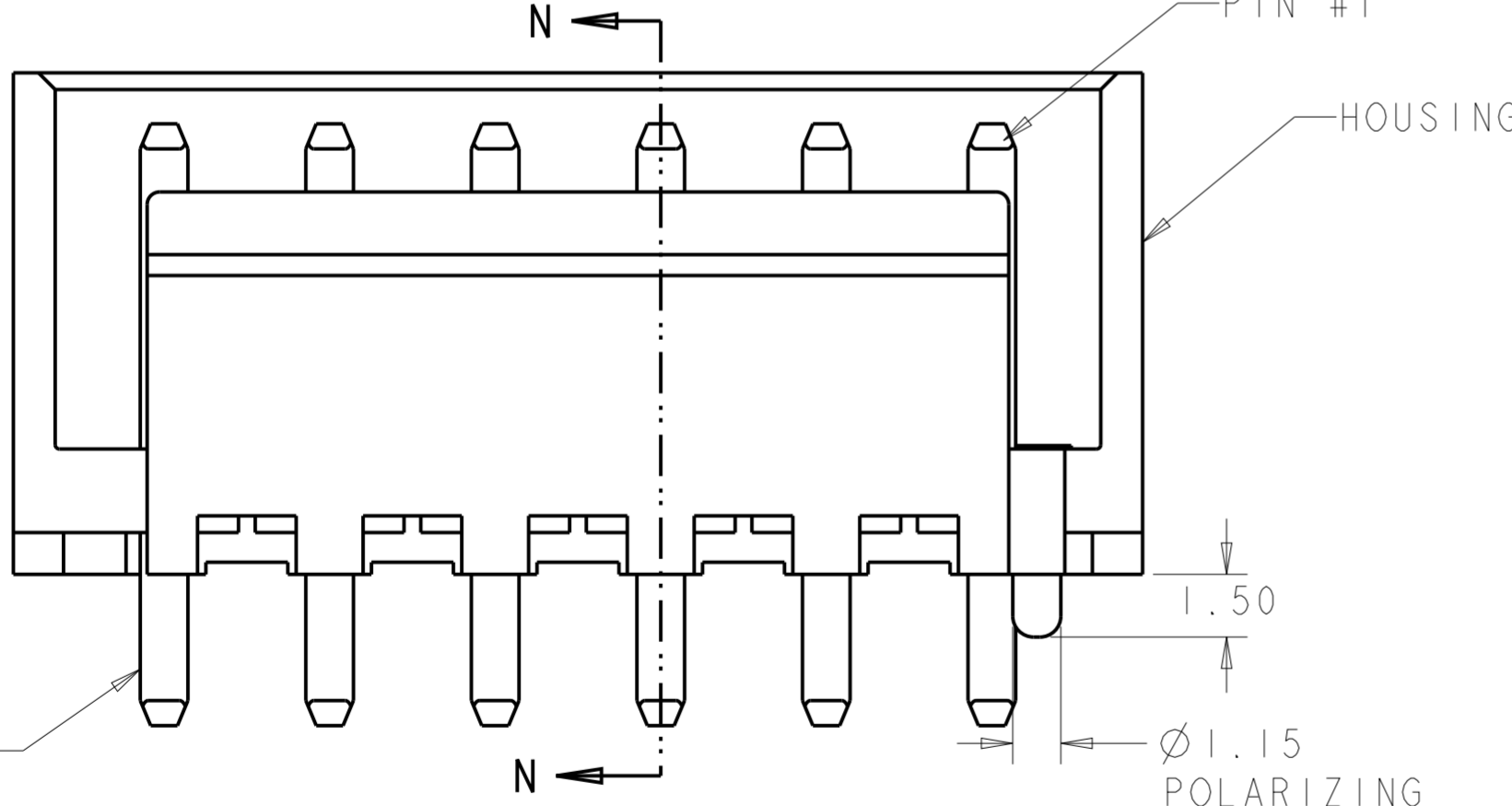
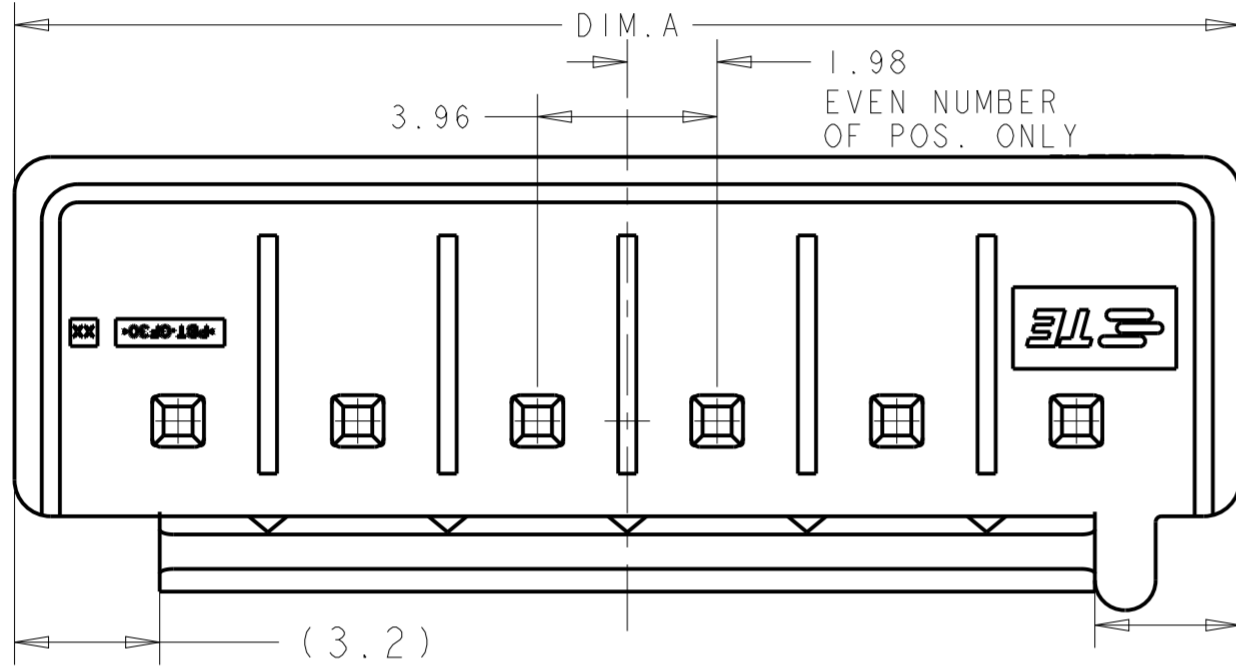
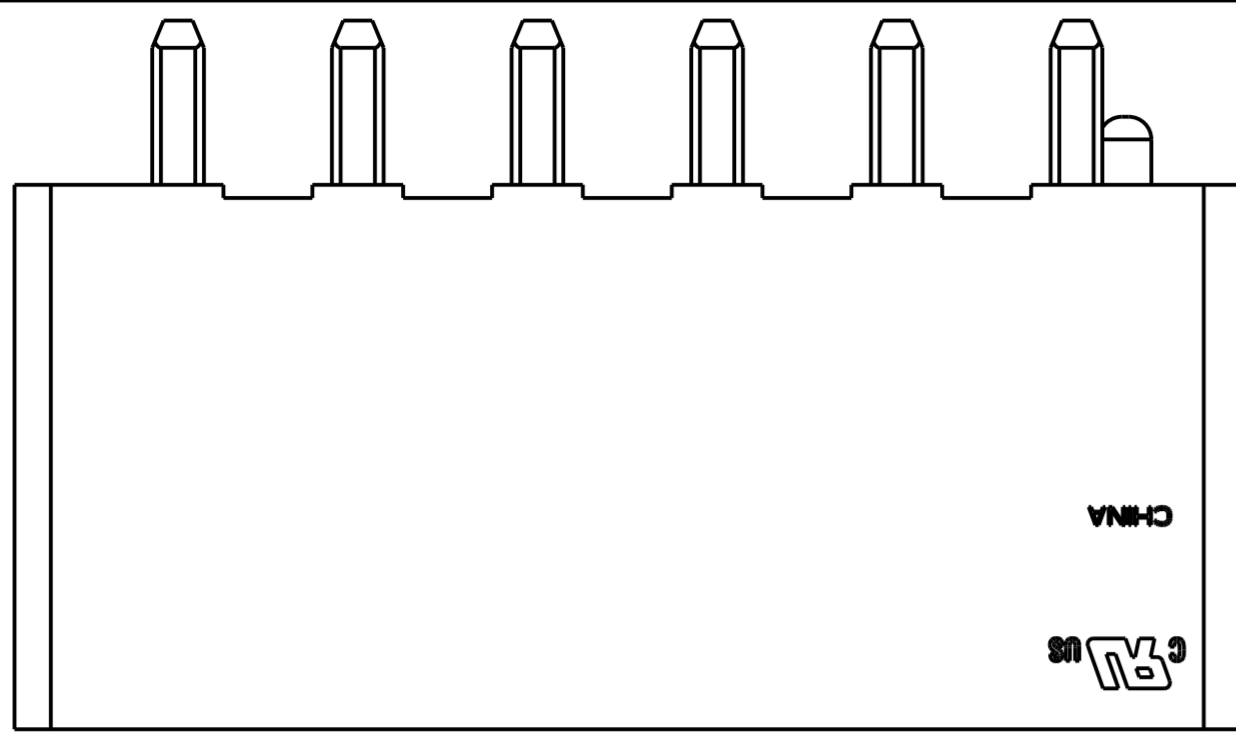


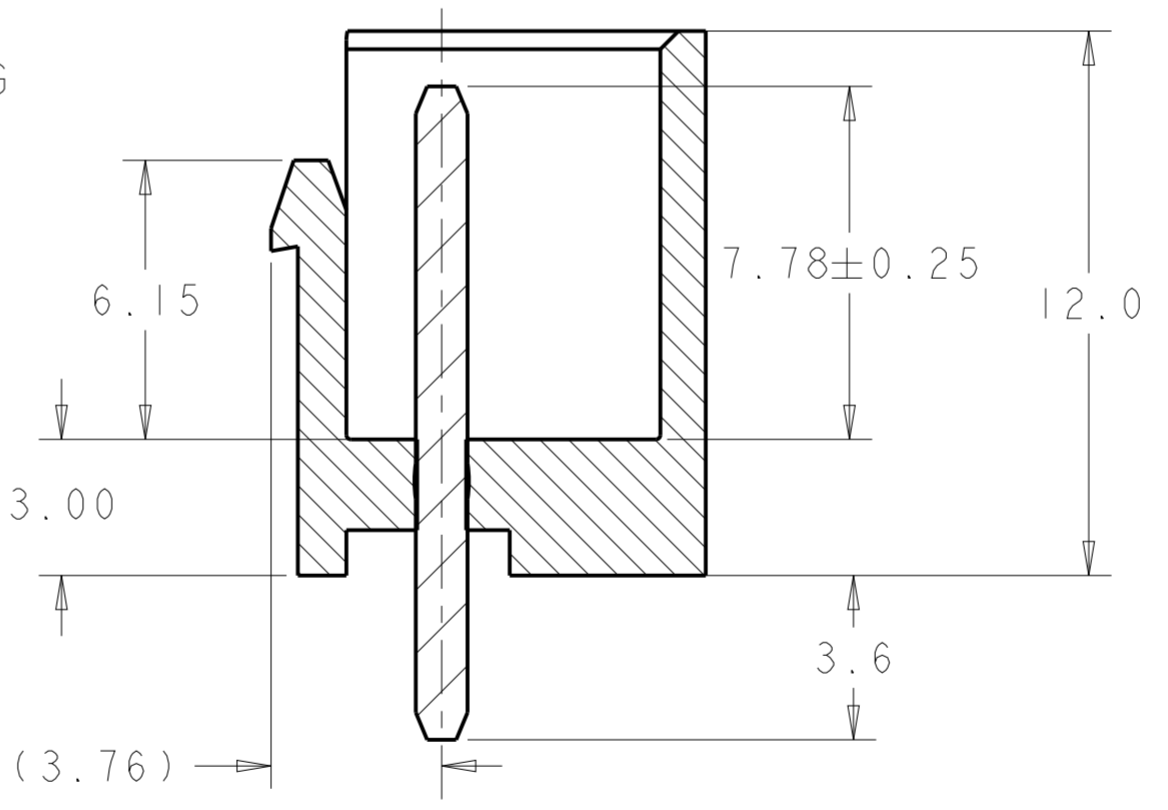
THIS DRAWING IS UNPUBLISHED. RELEASED FOR PUBLICATION 20
 BY - ALL RIGHTS RESERVED.

LOC		DIST		REVISIONS			
P	LTR	DESCRIPTION	DATE	DWN	APVD		
GP	00	D4	REVISED PER ECR-20-100406	16SEP2020	WH	DZ	

- 1 MATERIAL: HOUSING; PBT GLASS FILLED UL94V-0
PIN; BRASS
- 2 FINISH: PIN, 1.0µm MIN TIN OVER 0.8µm MIN NICKEL.
- 3 SKETCH SHOWS NO PIN MISSING.
- 4 PRELIMINARY-NOT FOR PRODUCTION



RECOMMENDED PCB LAYOUT
SCALE 4:1



SECTION N-N

COLOR	DIM.A	OMIT PIN#	POS.	ASSEMBLY PART NO.
WHITE	23.05	2&4	5	5-1877285-5
WHITE	30.97	6	7	1-1877285-7
WHITE	23.05	4	5	4-1877285-5
WHITE	23.05	3	5	1-1877285-5
BLACK	50.77		12	3-1877285-2
BLACK	46.81		11	3-1877285-1
BLACK	42.85		10	3-1877285-0
BLACK	38.89		9	2-1877285-9
BLACK	34.93		8	2-1877285-8
BLACK	30.97		7	2-1877285-7
BLACK	27.01		6	2-1877285-6
BLACK	23.05		5	2-1877285-5
BLACK	19.09		4	2-1877285-4
BLACK	15.13		3	2-1877285-3
BLACK	11.17		2	2-1877285-2
WHITE	50.77		12	1-1877285-2
WHITE	46.81		11	1-1877285-1
WHITE	42.85		10	1-1877285-0
WHITE	38.89		9	1877285-9
WHITE	34.93		8	1877285-8
WHITE	30.97		7	1877285-7
WHITE	27.01		6	1877285-6
WHITE	23.05		5	1877285-5
WHITE	19.09		4	1877285-4
WHITE	15.13		3	1877285-3
WHITE	11.17		2	1877285-2

THIS DRAWING IS A CONTROLLED DOCUMENT.

DWN: W.G. LENKER 03OCT2005	CHK: R. WALKER 03OCT2005	APVD: S. RIDGILL 10SEP2008	NAME: SHROUDED HEADER ASSEMBLY, 2 THRU 12 POSITION, SINGLE LATCH, 3.96mm PITCH, ECONOMY POWER (EP)
DIMENSIONS: mm	TOLERANCES UNLESS OTHERWISE SPECIFIED:	PRODUCT SPEC: 108-5609	SIZE: A2
0 PLC ±0.50	1 PLC ±0.30	APPLICATION SPEC: 114-13265	CAGE CODE: 00779
2 PLC ±0.30	3 PLC ±0.30	WEIGHT: -	DRAWING NO: C-1877285
4 PLC ±0.30	ANGLES ±0.5	CUSTOMER DRAWING	RESTRICTED TO: -
FINISH: 2		SCALE: -	SHEET 1 OF 1

STE TE Connectivity

Mouser Electronics

Authorized Distributor

Click to View Pricing, Inventory, Delivery & Lifecycle Information:

[TE Connectivity:](#)

[1877285-4](#)