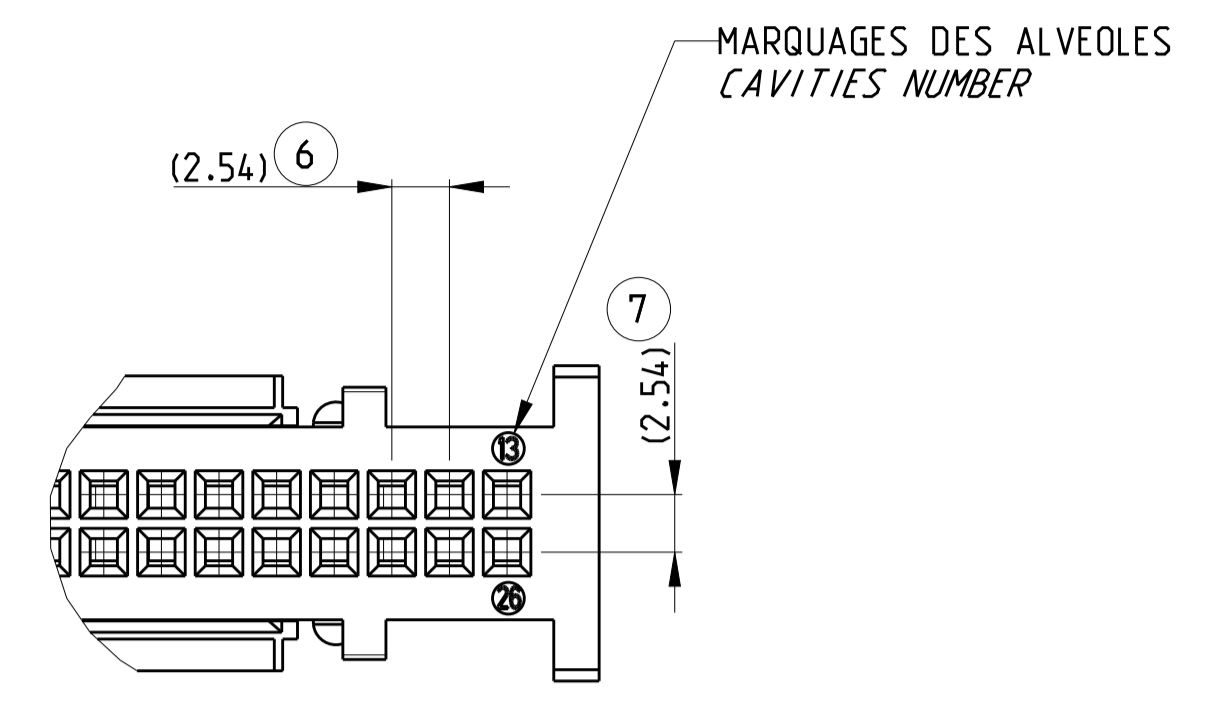
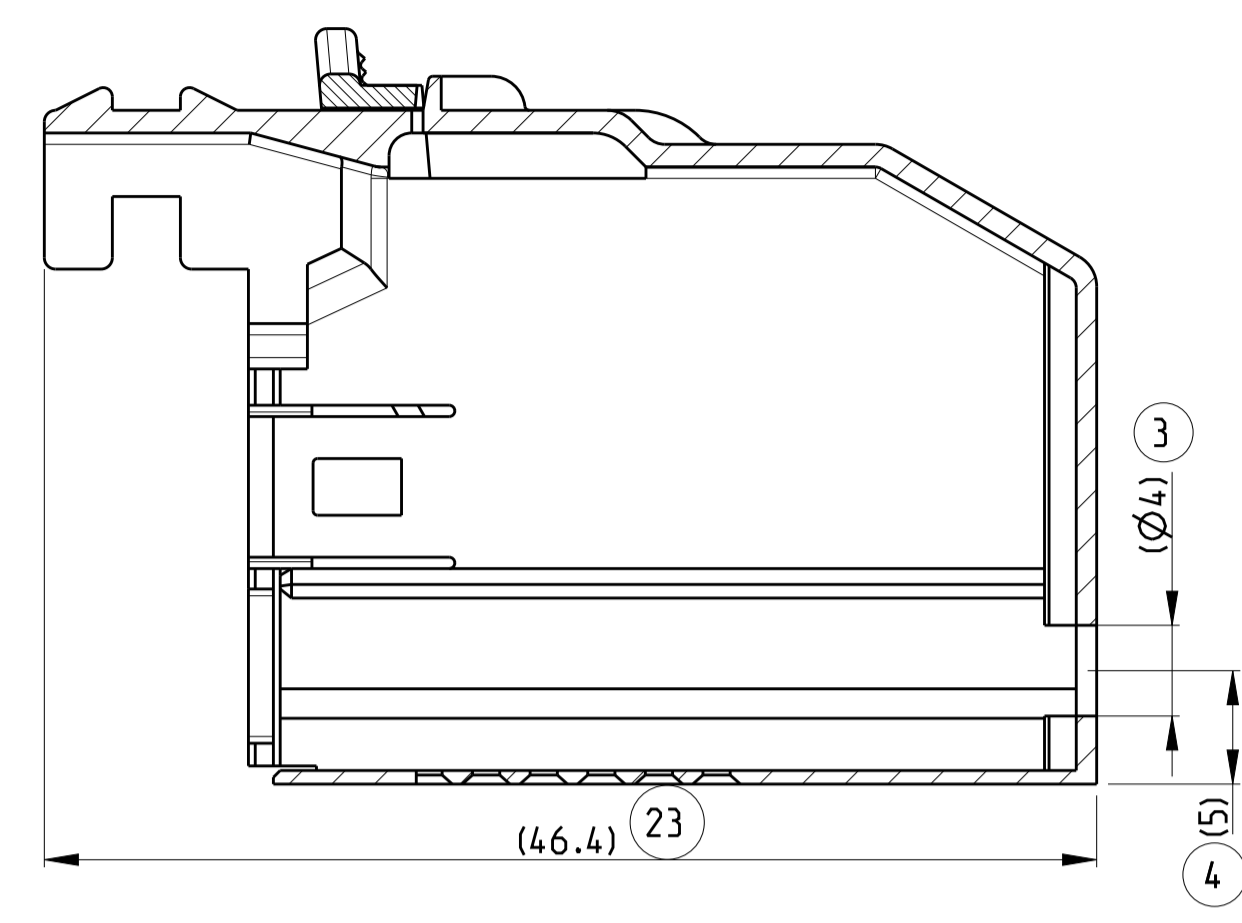
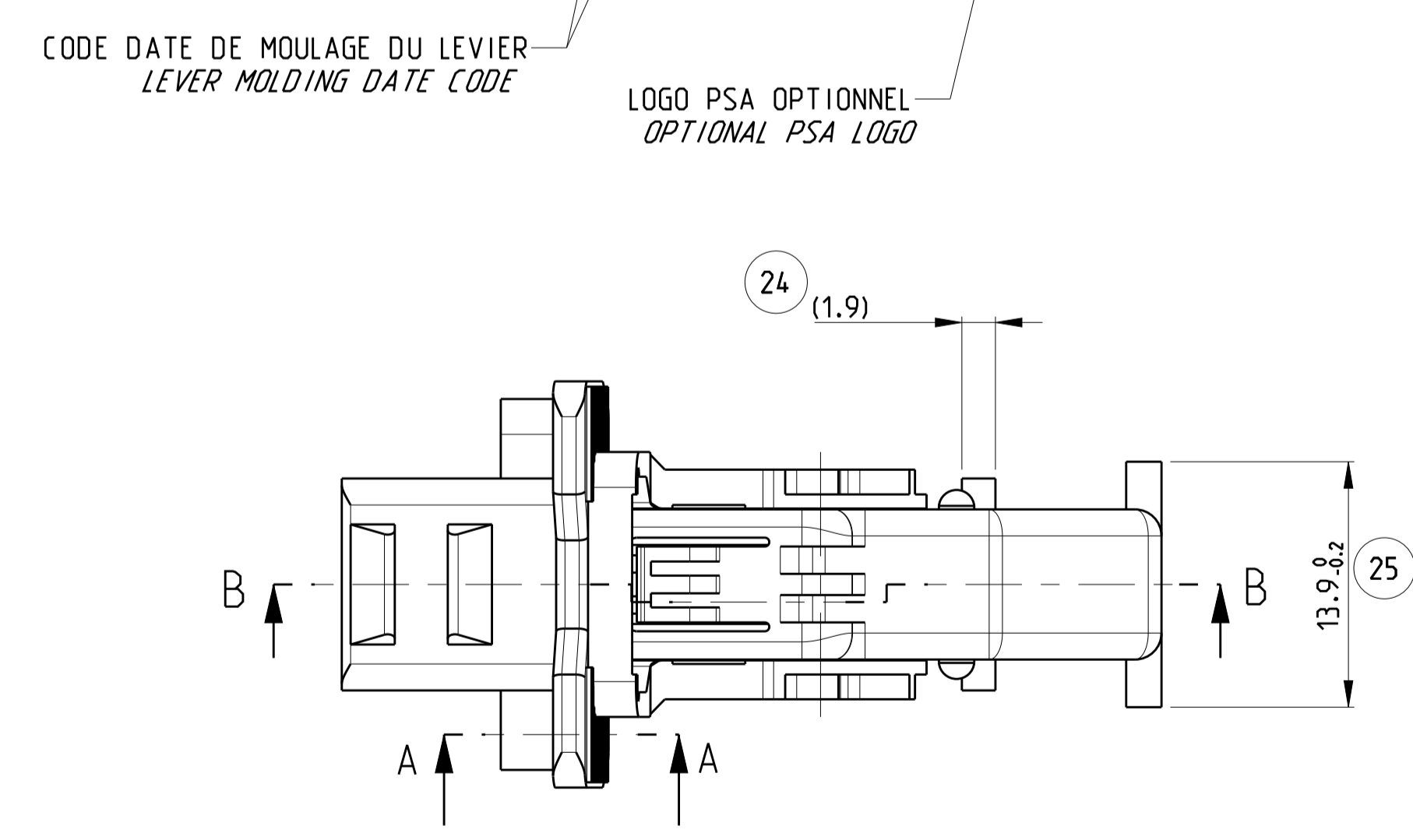
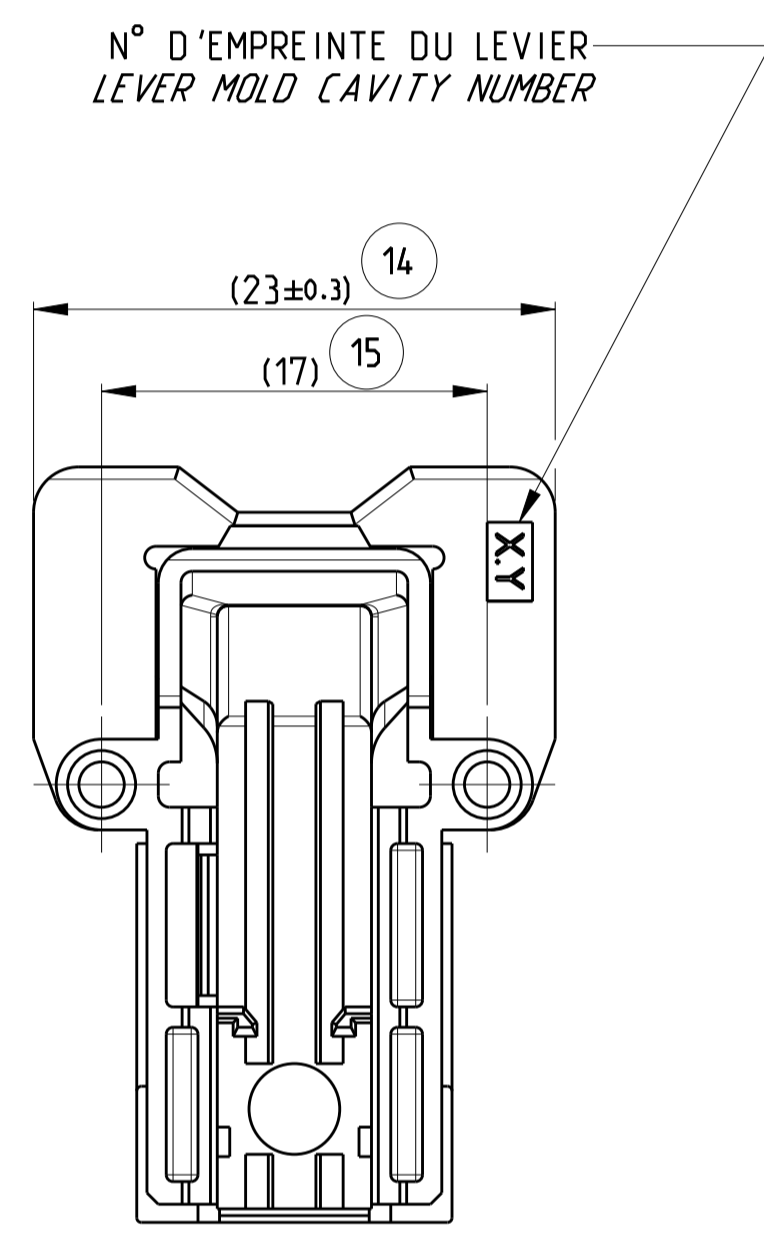
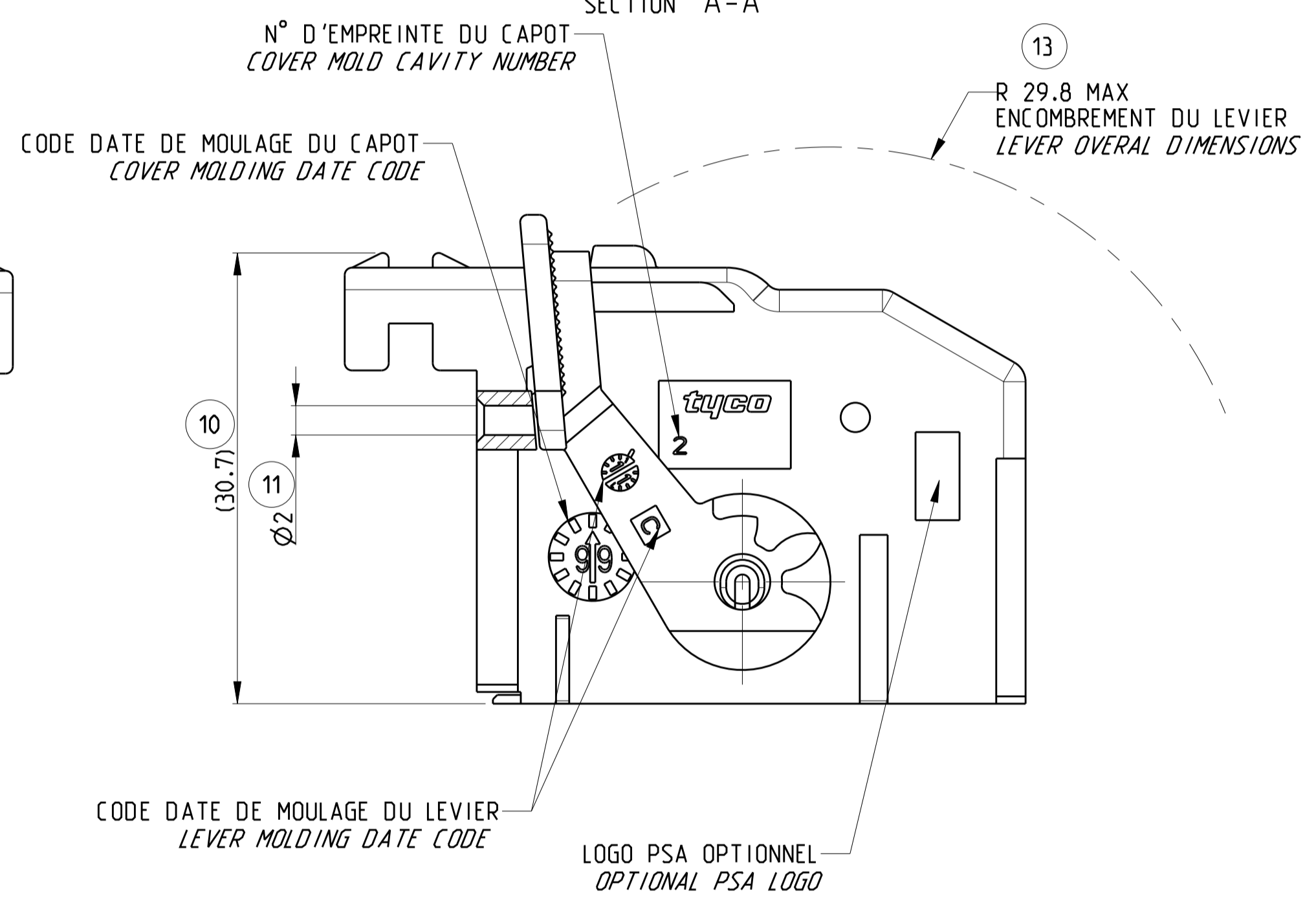
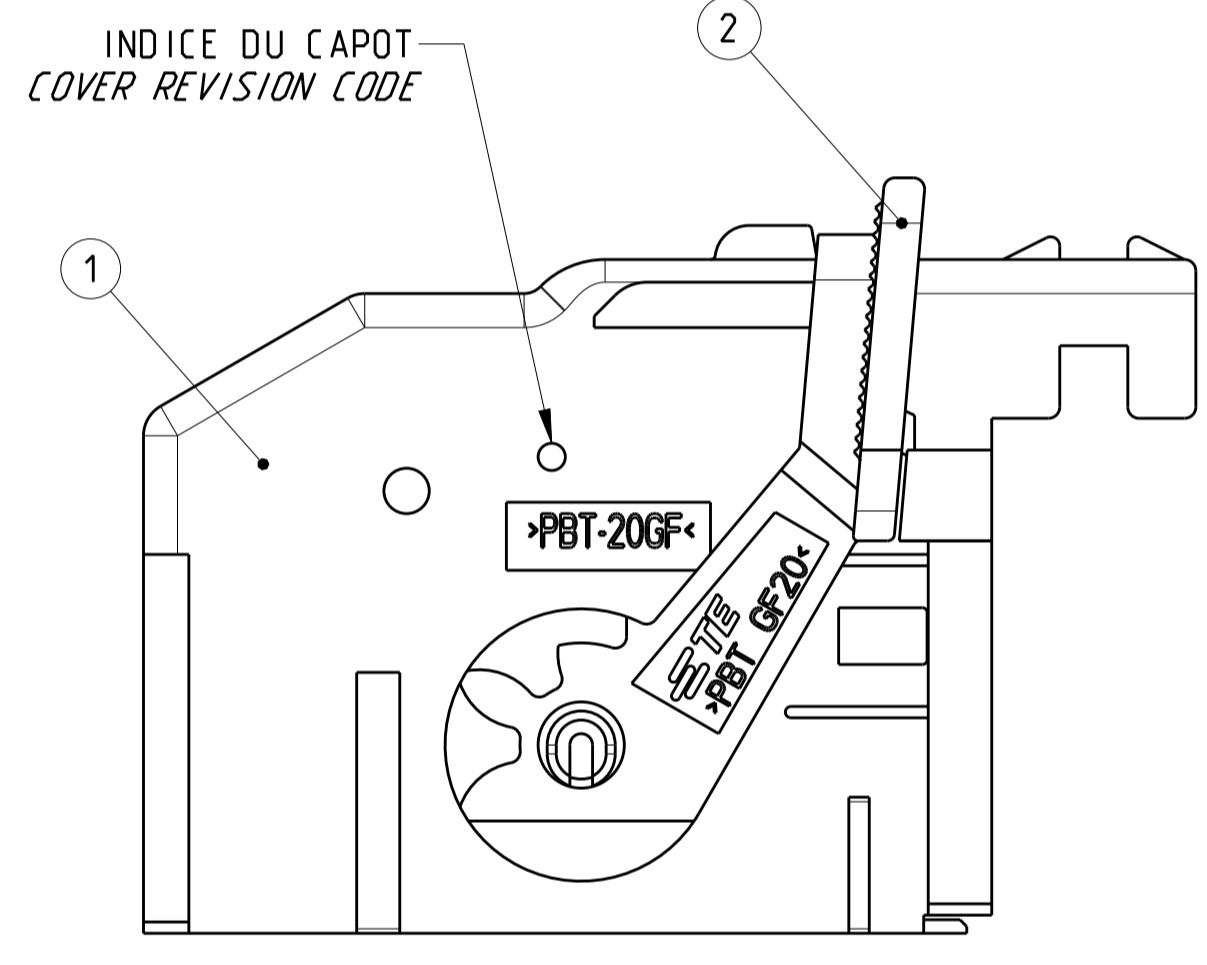


SECTION B-B



MARQUAGES DES ALVEOLES  
CAVITIES NUMBER

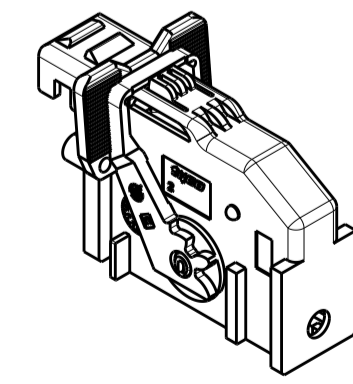


DESIGNATION DESCRIPTION	REP. ITEM	QTE	MATIERE MATERIAL	REFERENCE TE TE PART NUMBER	COULEUR COLOR	DETROMPAGE POLARISATION
CAPOT COVER	1	1	PBT20%FV	D 1-185879-4	VERT GREEN	
LEVIER LEVER	2	1	PBT20%FV		NOIR BLACK	
CAPOT COVER	1	1	PBT20%FV	D 1-185879-3	ROUGE RED	
LEVIER LEVER	2	1	PBT20%FV		NOIR BLACK	
CAPOT COVER	1	1	PBT20%FV	D 1-185879-2	BLEU BLUE	
LEVIER LEVER	2	1	PBT20%FV		NOIR BLACK	
CAPOT COVER	1	1	PBT20%FV	D 1-185879-1	JAUNE YELLOW	
LEVIER LEVER	2	1	PBT20%FV		NOIR BLACK	
CAPOT COVER	1	1	PBT20%FV	185879-4	VERT GREEN	
LEVIER LEVER	2	1	PBT20%FV		NOIR BLACK	
CAPOT COVER	1	1	PBT20%FV	185879-3	ROUGE RED	
LEVIER LEVER	2	1	PBT20%FV		NOIR BLACK	
CAPOT COVER	1	1	PBT20%FV	185879-2	BLEU BLUE	
LEVIER LEVER	2	1	PBT20%FV		NOIR BLACK	
CAPOT COVER	1	1	PBT20%FV	185879-1	JAUNE YELLOW	
LEVIER LEVER	2	1	PBT20%FV		NOIR BLACK	

NOTES:

1 - CABLAGE MAXI : 8 FILS DE SECTION 0.6 mm<sup>2</sup>  
(DIA MAXI ISOLANT DE 1.9 mm)  
POUR FORCE D'INSERTION MODULE/PORTE MODULE : F<20N  
ET POUR ETRE EN CONFORMITE AVEC LA SPEC. 108-15158

- MAXIMAL CABLING : 8 WIRES SECTION 0.6mm<sup>2</sup>  
(DIA MAXIMAL INSULATOR 1.9mm)  
FOR THE INSERTION FORCE MODULE/ASSY COVER : F<20N  
AND TO BE IN ACCORDANCE WITH THE SPEC. 108-15158



ECHELLE: 1:1  
SCALE

COMPOSANTS ASSOCIES MATING PARTS	
REF. TE TE PART NUMBER	DESIGNATION
185875-1	PORTE CLIP 26 VOIES MQS RECEPTACLE HSG 26 W MQS

185879-1 REPRESENTEE  
AS SHOWN

THIS DRAWING IS A CONTROLLED DOCUMENT. IT IS NOT TO BE REPRODUCED OR TRANSMITTED IN ANY FORM OR BY ANY MEANS, ELECTRONIC OR MECHANICAL, WITHOUT THE WRITTEN PERMISSION OF STMicroelectronics.

OTHER SPECIFICATIONS: DIMENSIONS: mm; TOLERANCES UNLESS OTHERWISE SPECIFIED: ±0.1mm; FINISH: AS SHOWN; WEIGHT: 6.3 gr; MATERIAL: PBT20%FV.

APPROVED: Philippe BACHELOT, J.P. PICAUD, APVD APPROVE.

DATE: 23 DEC 2008

PRODUCT SPEC: 108-15158

APPLICATION SPEC: 411-15581

STMicroelectronics logo and TE Connectivity logo.

ASSEMBLY COVER 26W MQS GENE 2  
PORTE MODULE 26 VOIES MQS GENE 2

SIZE: A1; CAGE CODE: 00779; DRAWING NO: 185879; RESTRICTED TO RESERVE A.

# Mouser Electronics

Authorized Distributor

Click to View Pricing, Inventory, Delivery & Lifecycle Information:

[TE Connectivity:](#)

[185879-1](#)