



MS32

Switching Sensor

SPECIFICATIONS

- AMR Switching-Sensor
- TDFN Outline 2.5x2.5x0.8 mm³
- Temperature Compensated Switching Point
- Low Power Consumption

The MS32 is a magnetic field sensor which is built in the form of a Wheatstone bridge. Each of its four resistors is made from *Permalloy*, a material that shows the *anisotropic magneto resistance effect*. An unidirectional magnetic field in the surface parallel to the chip (x-y plane) along the y-axis will deliver a field dependent output signal. A **magnetic switching point**, which is almost **independent on temperature** is typically set to $H_s=1.85$ kA/m. In addition, the characteristic curve is linear over a wide magnetic field range. Thus, the new MS32 simplifies the adaption of the sensor to different mechanical and magnetical environments. The sensor die is packaged in a TDFN package.

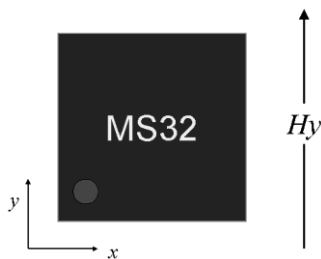
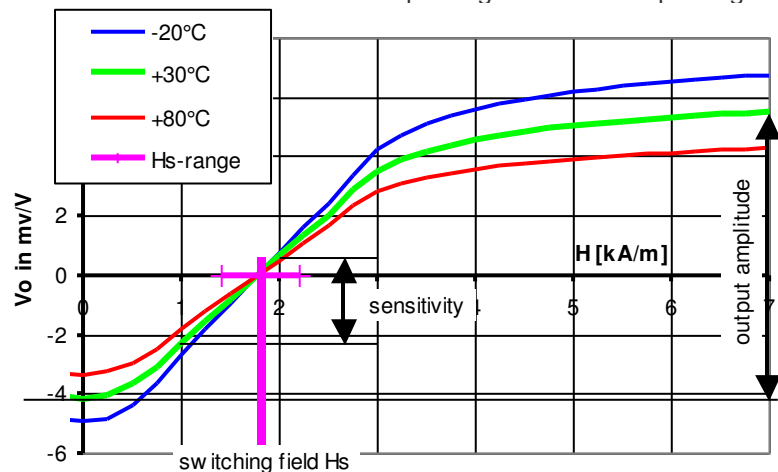


Figure 1: Characteristic curves for MS32 at different ambient temperatures (-20°C, +30°C, +80°C)



FEATURES

- Sensor based on solid state magnetoresistance effect
- Unipolar signal output
- Linear field response
- High sensitivity, low hysteresis
- Temperature compensated switching point
- Low power consumption due to high bridge resistance
- Supply voltage up to 30 V
- Small TDFN package

APPLICATIONS

- Contactless position detection (presence, open/close)
- Industrial
- Consumer
- Automotive
- Small stroke pneumatic cylinders
- Cover positions of Notebooks and Mobiles
- Doors, windows etc.

CHARACTERISTIC VALUES

Parameter	Condition	Symbol	Min	Typ	Max	Unit
Mechanical dimensions						
Length		X		2.5		mm
Width		Y		2.5		mm
Height		Z		0.75		mm
Pad size	7)			0.25 x 0.30		mm ²
Operating limits						
Max. supply voltage		V _{CC, MAX}			30	V
Temp. compensation range		T _{COMP}	-25		+85	°C
Operating temperature		T _{OP}	-45		+125	°C
Storage temperature		T _{ST}	-45		+150	°C

Stress above one or more of the limiting values may cause permanent damage to the device. Exposure to limiting values for extended periods may affect device reliability.

Parameter	Condition	Symbol	Min	Typ	Max	Unit
Sensor specification (V_{CC} = 5 V, T = 30 °C)						
Supply voltage		V _{CC}		5	30	V
Resistance		R _B	10300	11500		Ω
Offset		V _{OFF} /V _{CC}		-4	-1.5	mV/V
Sensitivity	1)	S	2	3		(mV/V)/(kA/m)
Output amplitude	2)	V _{MAX}	8			mV/V
Hysteresis (@ V ₀ =0) 3)		Hyst.			0.9	mV/V
Sensor specification (T = -25 °C; +85 °C; Conditions A & B) 6)						
TC of amplitude		TCSV		-0.35		%/K
TC of bridge resistance		TGBR		+0.35		%/K
Switching field 5)	4)	H _s	1.40	1.85	2.30	kA/m

All parameters are measured on wafer level.

- 1) average gradient in the range 1.0 - 2.0 kA/m
- 2) difference between output voltage/supply voltage measured at H = 7 kA/m and H = 0 kA/m
- 3) hysteresis [in kA/m] = hysteresis [in mV/V] / S
- 4) switching voltage = 0 mV/V
- 5) switching field = magnetic field at switching voltage
- 6) values at -25°C can be determined by linear extrapolation from +30°C- and +85°C-values.
- 7) recommended solder reflow process according to IPC/JEDEC J-STD-020D (Pb-Free Process)

MEASUREMENT CONDITIONS

Parameter	Symbol	Unit	Condition
A. Set Up Conditions			
ambient temperature	T	°C	T = 23 +/- 5 °C (unless otherwise noted)
supply voltage	V _{CC}	V	V _{CC} = 5 V
applied magnetic field	H _Y	kA/m	H _Y = -7 .. +7 kA/m; along y-direction; H _X < 100 A/m Pre-magnetization along x-direction with H _X >= 3 kA/m
B. Parameter Definitions (T= -25 °C, +85 °C) see characteristic values ⁶⁾			
ambient temperatures	T	°C	T ₁ = -25 , T ₀ = +30 , T ₂ = +85 °C
TC of amplitude	TCSV	%/K	$TCV = \frac{1}{(T_2 - T_1)} \cdot \frac{V_a(T_2) - V_a(T_1)}{V_a(T_1)} \cdot 100\%$
TC of resistance	TCBR	%/K	$TCR = \frac{1}{(T_2 - T_1)} \cdot \frac{R(T_2) - R(T_1)}{R(T_1)} \cdot 100\%$
TC of offset	TCV _{OFF}	μV/(VK)	$TCV_{off} = \frac{V_{off}(T_2) - V_{off}(T_1)}{(T_2 - T_1)}$

BLOCK DIAGRAM

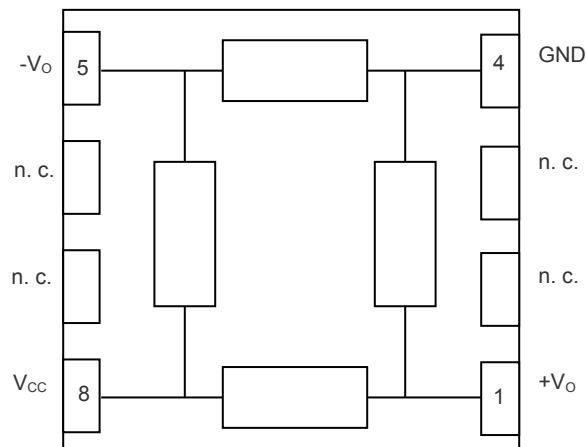


Figure 2: internal and external connections (TDFN, Chip)

SENSOR OUTLINE

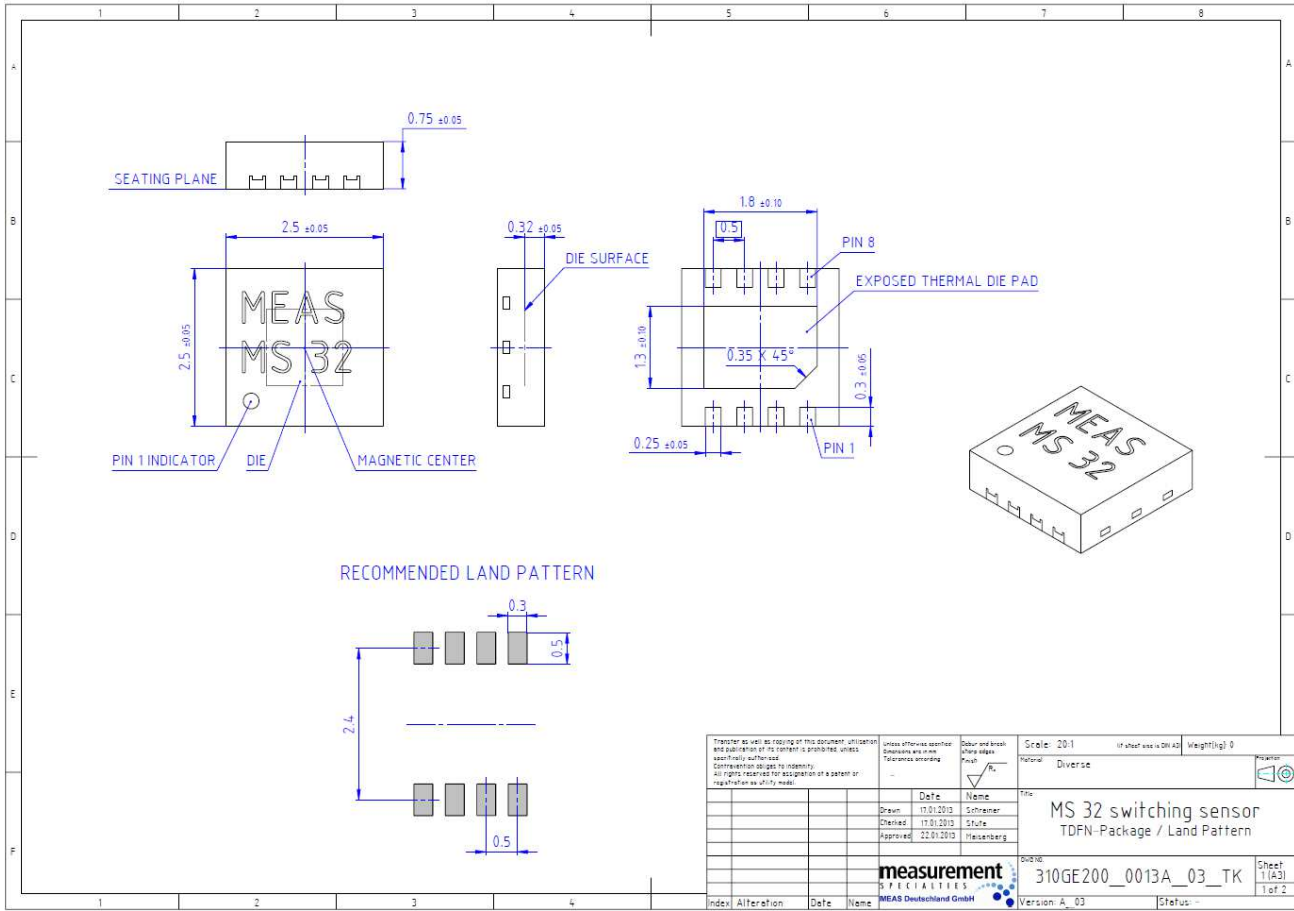


Figure 3: TDFN-package outline and recommended land pattern

Pin assignment

Pin	Symbol	Function
1	+V _O	positive output bridge
2	n. c.	not connected
3	n. c.	not connected
4	GND	ground
5	-V _O	negative output bridge
6	n. c.	not connected
7	n. c.	not connected
8	V _{CC}	supply voltage bridge

Note:

Pin 1 position is marked by a dot on the top side and by the chamfered corner of the bottom plate. The bottom plate is designated to be a heat sink. It has no electrical connection to any pin. The sensitive area is positioned in the center of the package.

APPLICATION

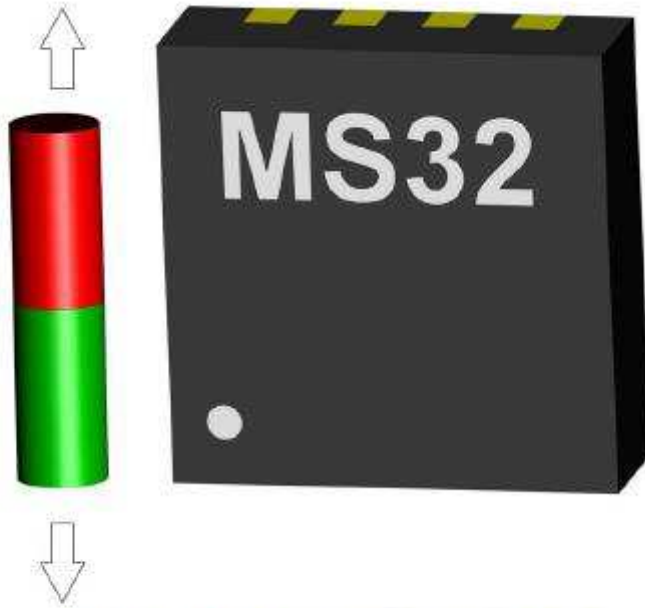


Figure 4: Typical application geometry of MS32

CIRCUIT EXAMPLES

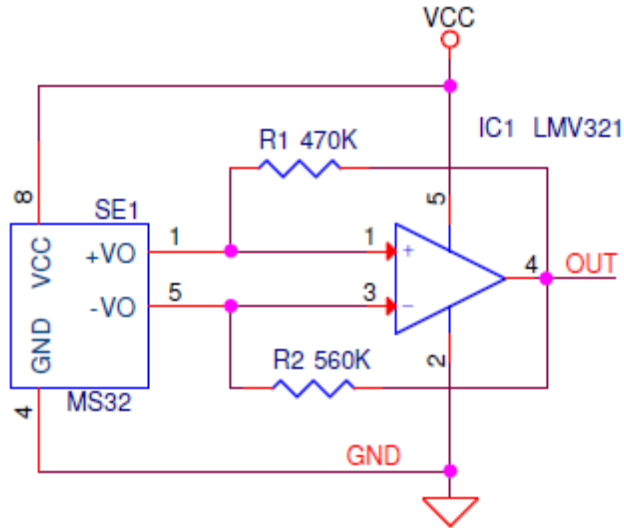


Figure 5: Switching point detection without hysteresis

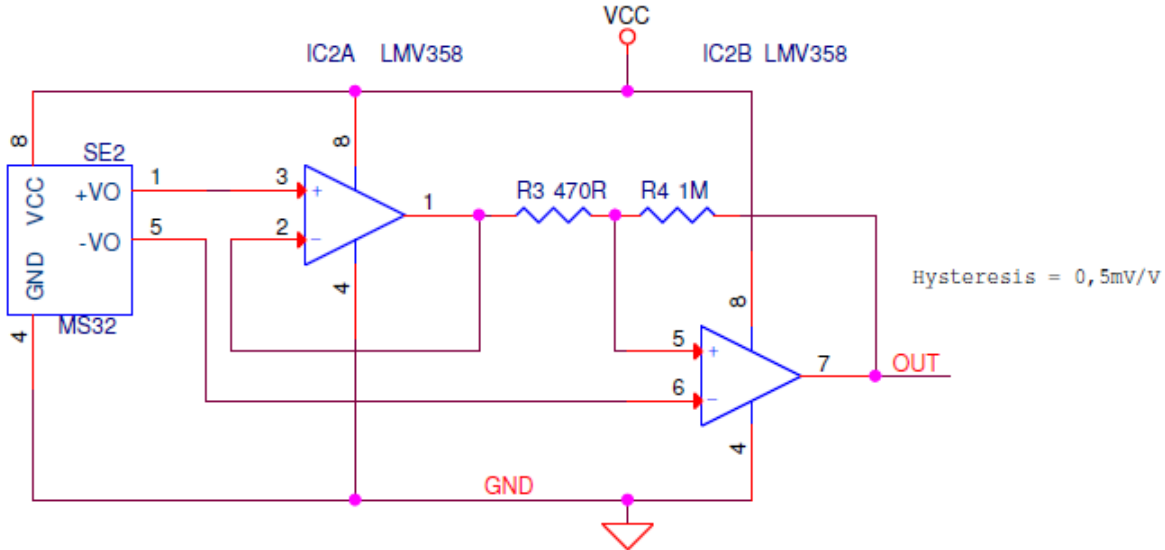


Figure 6: Switching point detection with hysteresis

TAPE AND REEL PACKAGING INFORMATION

Description	Reel size	Units/reel	Pin 1 orientation	Note
MS32	7"	3,000	Top-right of sprocket hole side	

ORDERING CODE

Device	Package	MOQ	Part number
MS32 die	Wafer / undiced	1 wafer	on request
MS32	TDFN 2.5 x 2.5	1 reel	G-MRCO-017

NORTH AMERICA

Measurement Specialties, Inc.,
a TE Connectivity Company
Phone: +1-800-522-6752
Email: customer-care.hpmt@te.com

EUROPE

MEAS Deutschland GmbH (Europe)
a TE Connectivity Company
Phone: +49-800-440-5100
Email: customer-care.dtm@te.com

ASIA

Measurement Specialties (China), Ltd.,
a TE Connectivity Company
Phone: +86-400-820-6015
Email: customer-care.shzn@te.com

TE.com/sensorsolutions

Measurement Specialties, Inc., a TE Connectivity company.

Measurement Specialties, TE Connectivity, TE Connectivity (logo) and EVERY CONNECTION COUNTS are trademarks. All other logos, products and/or company names referred to herein might be trademarks of their respective owners.

The information given herein, including drawings, illustrations and schematics which are intended for illustration purposes only, is believed to be reliable. However, TE Connectivity makes no warranties as to its accuracy or completeness and disclaims any liability in connection with its use. TE Connectivity's obligations shall only be as set forth in TE Connectivity's Standard Terms and Conditions of Sale for this product and in no case will TE Connectivity be liable for any incidental, indirect or consequential damages arising out of the sale, resale, use or misuse of the product. Users of TE Connectivity products should make their own evaluation to determine the suitability of each such product for the specific application.

© 2015 TE Connectivity Ltd. family of companies All Rights Reserved.

Mouser Electronics

Authorized Distributor

Click to View Pricing, Inventory, Delivery & Lifecycle Information:

[TE Connectivity:](#)

[G-MRCO-017](#)