

## SUMMARY



Image is for illustrative purpose only

### # Wires

Coax 1

Series 01  
Termination type Female print PCB  
IP rating 50  
AWG wire size 0.00 - 0.00  
Cable Ø 0.00 - 0.00 mm  
Status active  
Matching parts [FFS.01.250.DLAE31](#)

### Download

[Request a quote](#)  
[PCB Eagle Pattern](#)  
[PCB Altium Pattern](#)  
[PCB KiCad Pattern](#)  
[Catalog](#)

## TECHNICAL DETAILS

### Mechanics

Shell Style/Model EPA.01\*: Straight receptacle for printed circuit  
Keying Circular, female  
Housing Material Brass (gold plated [ISO 27874]) shell, collet nut, brass latch sleeve and mid pieces  
Weight 1.50 g

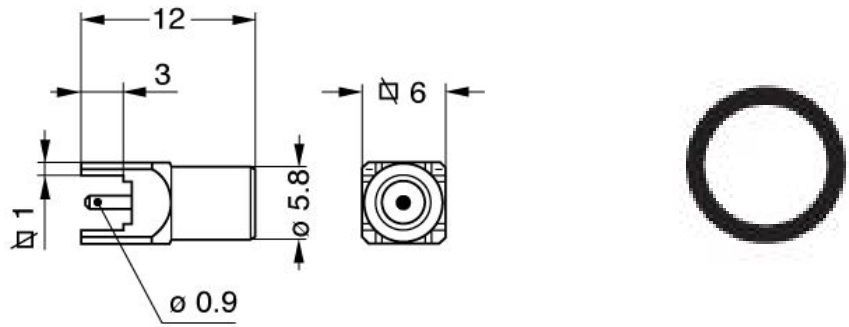
### Performance

Configuration 01.250 : 1 Coax (50 Ohm)  
Insulator  
Rated Current

### Others

Endurance (Shell): 1000 mating cycles

# DRAWINGS



## Dimensions

	A	B	K	L
mm.	5.8	6	3	12
in.	0,23	0,24	0,12	0,47

---

## RECOMMENDED BY LEMO

## Tools

LEMO products and services are provided "as is". LEMO makes no warranties or representations with regard to LEMO product & services or use of them, express, implied or statutory, including for accuracy, completeness, or security. The user is fully responsible for his products and applications using LEMO components.

# Mouser Electronics

Authorized Distributor

Click to View Pricing, Inventory, Delivery & Lifecycle Information:

[LEMO:](#)

[EPA.01.250.DLN](#)