

WHEEL T 80X20/20 BB SWIVEL FORK M22 + BRAKE

Wheel series T

Wheels with cast polyurethane coating 95 Sh.A on aluminium hub.
Available with ball or roller bearings.

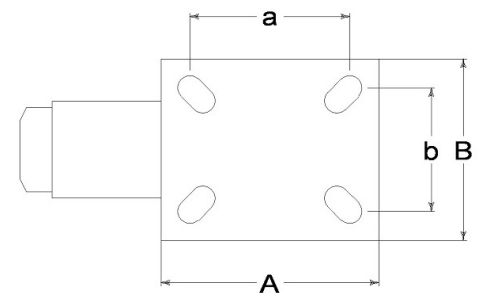
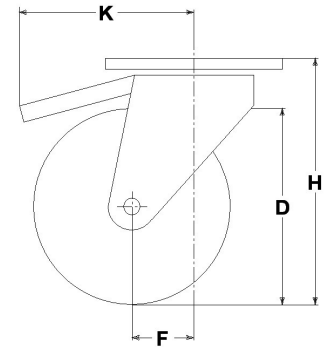
Castor series M22

M22 series, Medium-light pressed steel fork assemblies; swivel version has double ball raceways. Zincplated.



Technical data

D	80 mm
E	20,0 mm
d	12 mm
	0,740 kg
L	20 mm
H	106 mm
AxB	102x83 mm
axb	76x55 mm
axb	80x60 mm
g	M8
F	33 mm
U	40 mm
	120 kg



Related Articles

Spare part wheel: [8001CC](#)

Basic version: [26002](#)

Version with thread-guards: [26002PF](#)

Version with thread-guards: [26002FRPF](#)

GENERAL INFORMATION / RECOMMENDATIONS AND WARNINGS

The cited text and the complete catalogue in their most up-dated versions are available in our web-site www.lagspa.it/downloads. The dimensions, descriptions, specifications and illustrations herein are indicative and subject to variations without notice. The fact that products are illustrated herein does not necessarily imply they are available from stock nor does it place us under any obligation to supply them. Tests carried out refer to the original products with original accessories: the replacement of one of the components with others of different manufacture might prevent the same results from being achieved and will automatically invalidate any guarantee. **Please contact our technical service concerning any special application.**