

THIS COPY IS PROVIDED ON A RESTRICTED BASIS AND IS NOT TO BE USED IN ANY WAY DETRIMENTAL TO THE INTERESTS OF PANDUIT CORP.

PANDUIT PART #	MILITARY PART # AND CLASS	STUD SIZE	DIMENSIONS in. [mm]				
			L ± .04 [1,0]	W ± .01 [0,3]	C ± .02 [0,5]	M ± .04 [1,0]	H ± .01 [0,3]
PN10-6R	MS25036-111 CLASS 1 & 2	#6	1.06 [26,9]	.37 [9,4]	.31 [7,9]	.88 [22,3]	.15 [3,8]
PN10-6RN	-----	#6	1.04 [26,4]	.31 [7,9]	.31 [7,9]	.88 [22,3]	.15 [3,8]
PN10-8R	MS25036-156 CLASS 1 & 2	#8	1.06 [26,9]	.37 [9,4]	.31 [7,9]	.88 [22,3]	.17 [4,3]
PN10-8RN	-----	#8	1.04 [26,4]	.31 [7,9]	.31 [7,9]	.88 [22,3]	.17 [4,3]
PN10-10R	MS25036-112 CLASS 1 & 2	#10	1.06 [26,9]	.38 [9,7]	.31 [7,9]	.88 [22,3]	.20 [5,1]
PN10-10RN	-----	#10	1.04 [26,4]	.31 [7,9]	.31 [7,9]	.88 [22,3]	.20 [5,1]
PN10-14R	MS25036-157 CLASS 1 & 2	1/4"	1.21 [30,7]	.52 [13,2]	.38 [9,7]	.95 [24,1]	.27 [6,9]
PN10-56R	MS25036-113 CLASS 1 & 2	5/16"	1.21 [30,7]	.52 [13,2]	.38 [9,7]	.95 [24,1]	.33 [8,4]
PN10-38R	MS25036-114 CLASS 1 & 2	3/8"	1.29 [32,8]	.58 [14,7]	.43 [10,9]	1.00 [25,4]	.39 [9,9]
PN10-12R	-----	1/2"	1.47 [37,3]	.72 [18,3]	.53 [13,5]	1.11 [28,2]	.52 [13,2]

NOTES:  
 1) UL LISTED AND CSA CERTIFIED FOR:  
 A. 600V. MAX. BLDG. WIRE  
 B. (1000V. MAX. IN SIGNS, FIXTURES & LUMINAIRES)  
 C. #12-10 AWG STRANDED AND SOLID COPPER

2) MATERIAL:  
 A. STAMPING: .04" [1,02] THK. COPPER, TIN PLATED  
 B. HOUSING: NYLON, YELLOW  
 C. SLEEVE: BRASS, TIN PLATED

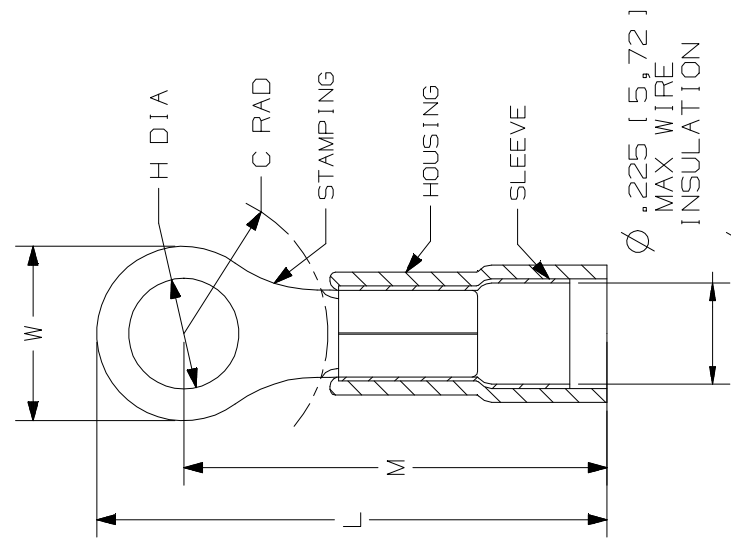
3) WIRE STRIP LENGTH: 9/32" +1/32 -0 [7,1 mm +0,8 -0 ]

4) SEE www.PANDUIT.com FOR PACKAGE QUANTITIES

5) DIMENSIONS IN PARENTHESIS ARE IN MILLIMETERS

UL & CSA TOOLS (DIES)  
 CT-100A  
 CT-600-A (CT-550CH)  
 \*CT-1550  
 \*CT-1551  
 CT-2500 (CT-2550CH)  
 \* NOT UL/CSA WITH #10AWG SOLID COPPER WIRE

MILITARY CLASS 2 TOOL  
 CT-460



**CULUS** **SP**  
 LISTED CERTIFIED  
 587H LR31212  
 E52164

ITEM REVISION NAME N41186BA/10		CONTROL DRAWING
DATASET FILE NAME N41186BA/10		
MATERIAL: UNLESS OTHERWISE SPECIFIED, DIMENSIONAL TOLERANCES ARE: IN (mm) .X ± .1 [2,54] .XXX ± .005 [.127] .XX ± .01 [.25] ANGLES ± 5°		
DRAWING NUMBER: A41186		
DRAWN BY FES	DATE	SCALE LA NONE
CHK LA	DATE	SCALE LA NONE
SHT 1 OF 1		SIZE A

REV	DATE	BY	CHK	APR	DESCRIPTION	ECN
10	1/16	TMR	TMR	RGB	ADDED cUL, PN10-10RN, PN10-8RN, PN10-6RN, PN10-6RN, UPDATED PKG QTY NOTE 4, DIM L WAS A, DIM M WAS G, TOOL CHART	A41186
09	8/06	DAW	DAW	LCA	ADDED METRIC PART NO. AND CLASS	TR00155
08	12/02	SAC	SKB	LCA	MADE ALL METRIC DIMS. ONE PLACE	10504
07	10/02	SAC	SKB	LA	CHANGED DIM. M TO DIM. G, & DIM C. FOR PN10-12R WAS .56	10480
06	9/02	SAC	SKB	LA	ADDED PN10-12R	10453

#12-10 RING TERMINALS  
 3PC. NYLON INSULATED

Panduit part numbers shown on this drawing meet the material requirements of RoHS (EUROPEAN DIRECTIVES 2002/95/EC) as proposed by the Technical Adaptation Committee

