

Rotary Potentiometer

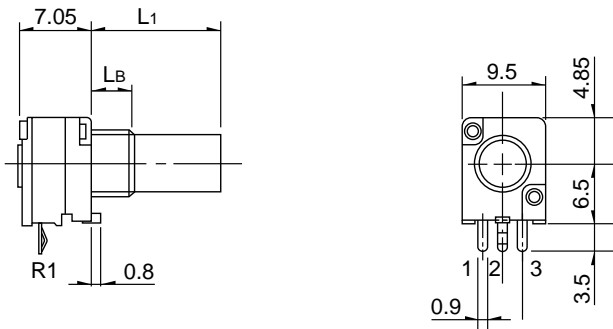


Order Number	Size (mm)	Number of Elements	Resistance Value (kΩ)	Taper	Shaft length (mm)	Tap	Mounting height (mm)	Uses	Rest of Specification
STRK09701	9 mm	Single Unit	10 kΩ	A= Logarithmic	25 mm	No Tap	6.5 mm	AC-Use	Standard
STRK09702	9 mm	Single Unit	50 kΩ	A= Logarithmic	25 mm	No Tap	6.5 mm	AC-Use	Standard
STRK09703	9 mm	Single Unit	100 kΩ	A= Logarithmic	25 mm	No Tap	6.5 mm	AC-Use	Standard
STRK09704	9 mm	Single Unit	10 kΩ	B= Linear	25 mm	No Tap	6.5 mm	AC-Use	Standard
STRK09705	9 mm	Single Unit	50 kΩ	B= Linear	25 mm	No Tap	6.5 mm	AC-Use	Standard
STRK09706	9 mm	Single Unit	100 kΩ	B= Linear	25 mm	No Tap	6.5 mm	AC-Use	Standard
STRK09707	9 mm	Dual Unit	2x10 kΩ	A= Logarithmic	25 mm	No Tap	6.5 mm	AC-Use	Standard
STRK09708	9 mm	Dual Unit	2x50 kΩ	A= Logarithmic	25 mm	No Tap	6.5 mm	AC-Use	Standard
STRK09709	9 mm	Dual Unit	2x100 kΩ	A= Logarithmic	25 mm	No Tap	6.5 mm	AC-Use	Standard
STRK09710	9 mm	Dual Unit	2x10 kΩ	B= Linear	25 mm	No Tap	6.5 mm	AC-Use	Standard
STRK09711	9 mm	Dual Unit	2x50 kΩ	B= Linear	25 mm	No Tap	6.5 mm	AC-Use	Standard
STRK09712	9 mm	Dual Unit	2x100 kΩ	B= Linear	25 mm	No Tap	6.5 mm	AC-Use	Standard

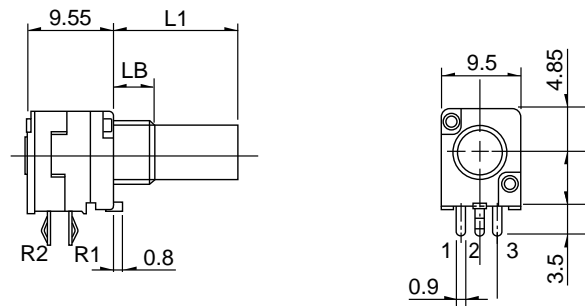
Standard Specifications:
 Rotational Life: 15000 Cycles
 Rotational Angle: 300 +/- 5 Degrees
 Rotational Torque: 30 - 250 gf/cm
 Resistance Tolerance: +/- 20%
 Rated Power: 0.05 W
 max. Operating Voltage (DC): DC 10 V
 max. Operating Voltage (AC): AC 50 V
 Insulation Resistance: 100 MΩ min. at 500 V DC

Number of Shafts: Single Shaft
 Details: Horizontal Type
 Shaft Style: Slotted
 Terminals: Printed Wiring
 Detents: No Detent
 Attachment: No

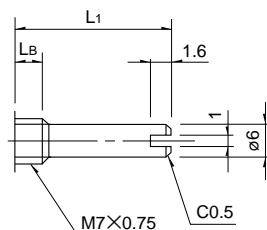
RK097 Series
Single Unit



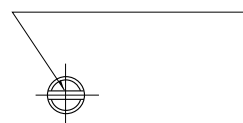
Dual Unit



Slotted Type



Not specified slotting angle.



Unit: (mm)