

MINIATURE CERAMIC SMD CRYSTAL



ABM3

5.0 X 3.2 X 1.3mm

ABM3

Pb in Glass, exemption 7C-I per RoHS II Directive 2011/65/EU Annex | **RoHS/RoHS II Compliant.**

Smaller package alternative for ABM7 series

Moisture Sensitivity Level (MSL) – This product is Hermetically Sealed and not Moisture Sensitive - MSL = N/A: Not Applicable

FEATURES:

- AT-cut fundamental or 3rd OT mode
- Suitable for RoHS reflow profile
- Tight Stability available ± 10
- Ceramic package hermetically glass sealed assures high precision and reliability.

APPLICATIONS:

- Cellular telephones, pagers
- Communication and test equipment
- PCMCIA and wireless applications

STANDARD SPECIFICATIONS:

Parameters	Minimum	Typical	Maximum	Units	Notes
Frequency Range	8.000		54.000	MHz	Fundamental
	54.100		80.000		3 rd Overtone
Operation Mode	Fundamental or 3 rd Overtone				
Operating Temperature	-10		+60	°C	See options
Storage Temperature	-40		+90	°C	
Frequency Tolerance @+25°C	-50		+50	ppm	See options
Frequency Stability over the Operating Temperature (ref. to +25°C)	-50		+50	ppm	See options
Equivalent series resistance (R1)			140	Ω	$8.000 \leq F < 9.000$ (Fund)
			120		$9.000 \leq F < 10.000$ (Fund)
			60		$10.000 \leq F < 16.000$ (Fund)
			40		$16.000 \leq F < 20.000$ (Fund)
			30		$20.000 \leq F < 30.000$ (Fund)
			25		$30.000 \leq F \leq 54.000$ (Fund)
			60		$54.000 < F \leq 80.000$ (3 rd OT)
Shunt capacitance (C0)			7	pF	
Load capacitance (CL)		18		pF	Standard (See options if other than STD)
Drive Level		10	100	μ W	
Aging	-5		+5	ppm	@25°C \pm 3°C First year
Insulation Resistance	500			M Ω	@ 100Vdc \pm 15V

MINIATURE CERAMIC SMD CRYSTAL



ABM3

5.0 X 3.2 X 1.3mm

ABM3

Pb in Glass, exemption 7C-I per RoHS II Directive | **RoHS/RoHS II Compliant.**
2011/65/EU Annex

OPTIONS AND PART IDENTIFICATION: (Left blank if standard)

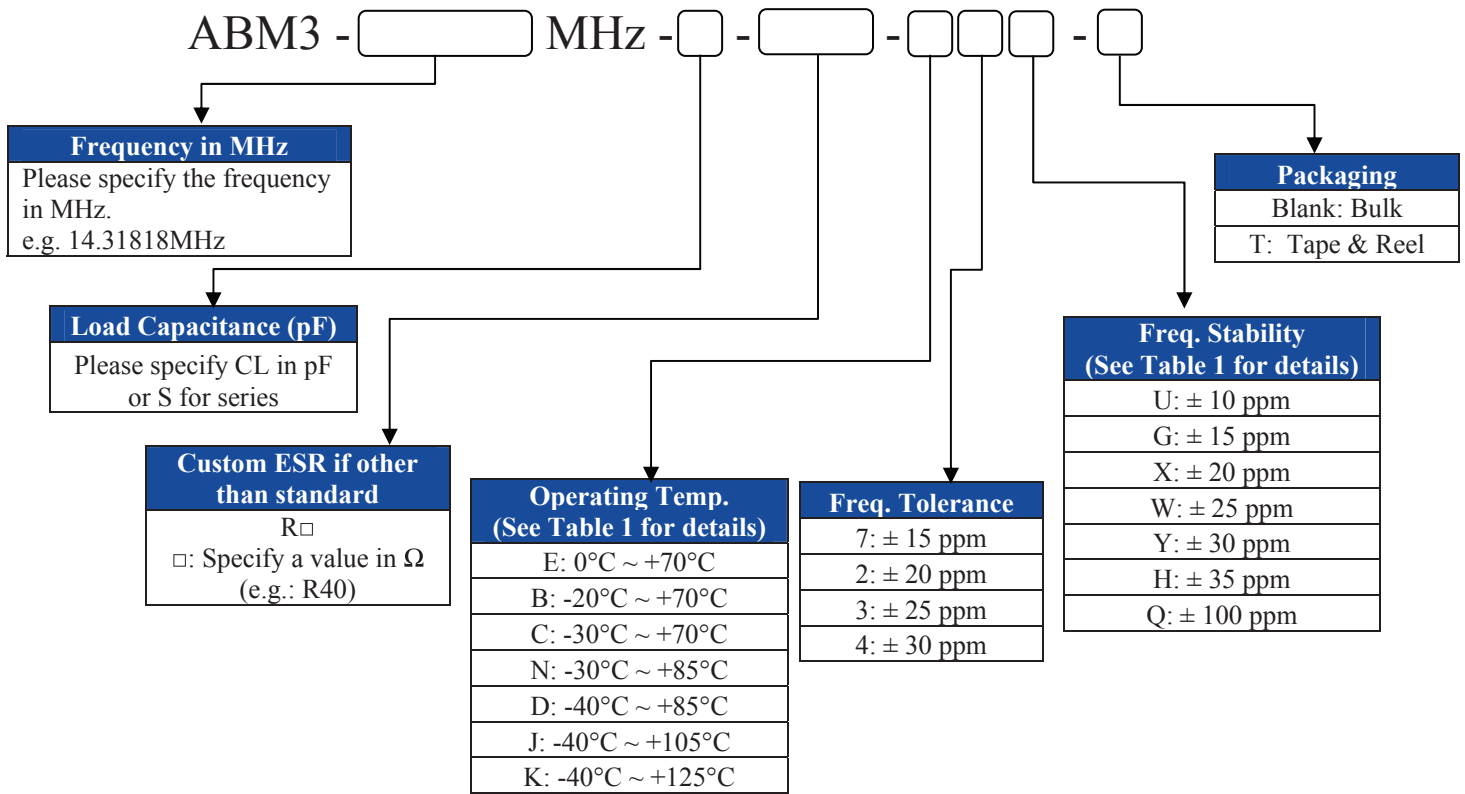


Table 1 Available Combinations of Operating Temp. and Freq. Stability

Operating Temp.	Freq. Stability							
	U:±10ppm	G:±15ppm	X:±20ppm	W:±25ppm	Y:±30ppm	H:±35ppm	Std:±50ppm	Q:±100ppm
Std: -10°C ~ +60°C	√	√	√	√	√	√	√	√
E: 0°C ~ +70°C	√	√	√	√	√	√	√	√
B: -20°C ~ +70°C	√	√	√	√	√	√	√	√
C: -30°C ~ +70°C		√	√	√	√	√	√	√
N: -30°C ~ +85°C		√	√	√	√	√	√	√
D: -40°C ~ +85°C			√	√	√	√	√	√
J: -40°C ~ +105°C							√	√
K: -40°C ~ +125°C							√	√

MINIATURE CERAMIC SMD CRYSTAL



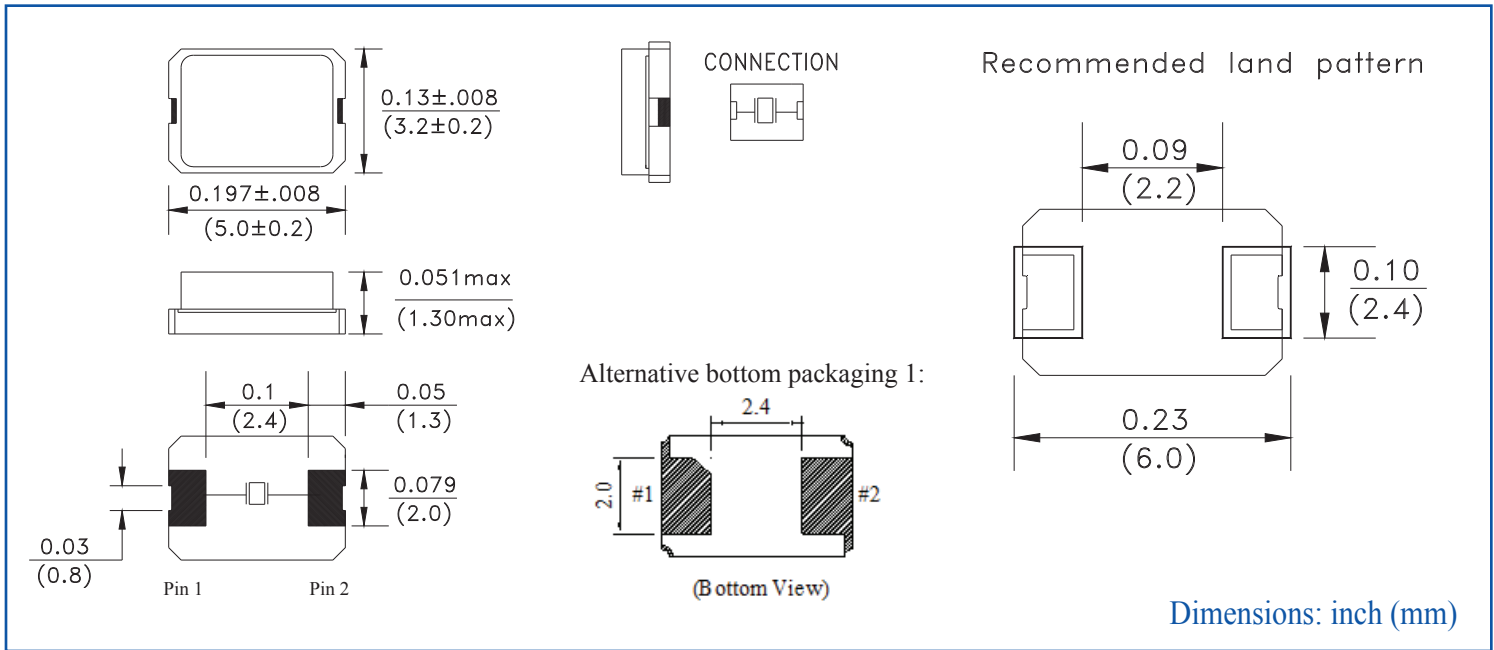
ABM3

5.0 X 3.2 X 1.3mm

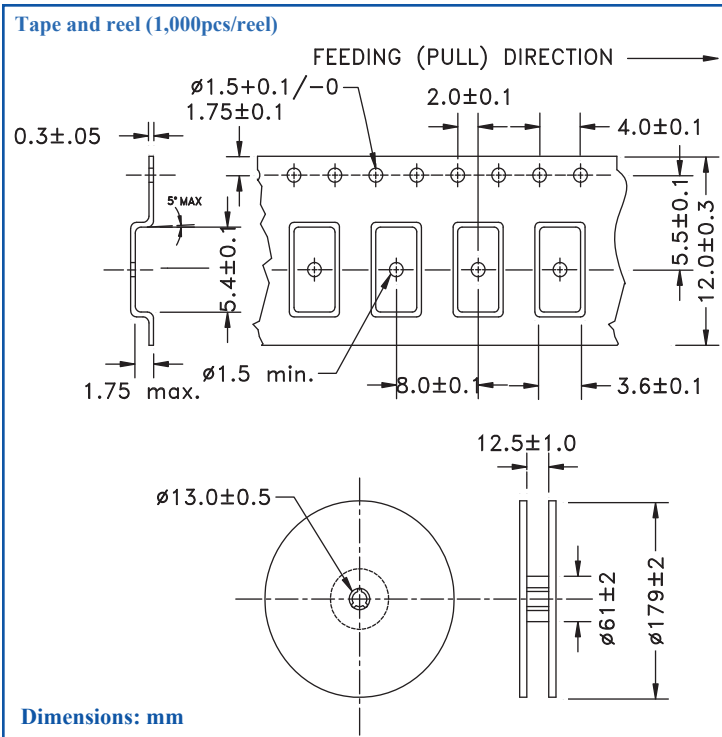
ABM3

Pb in Glass, exemption 7C-I per RoHS II Directive | **RoHS/RoHS II Compliant.**
2011/65/EU Annex

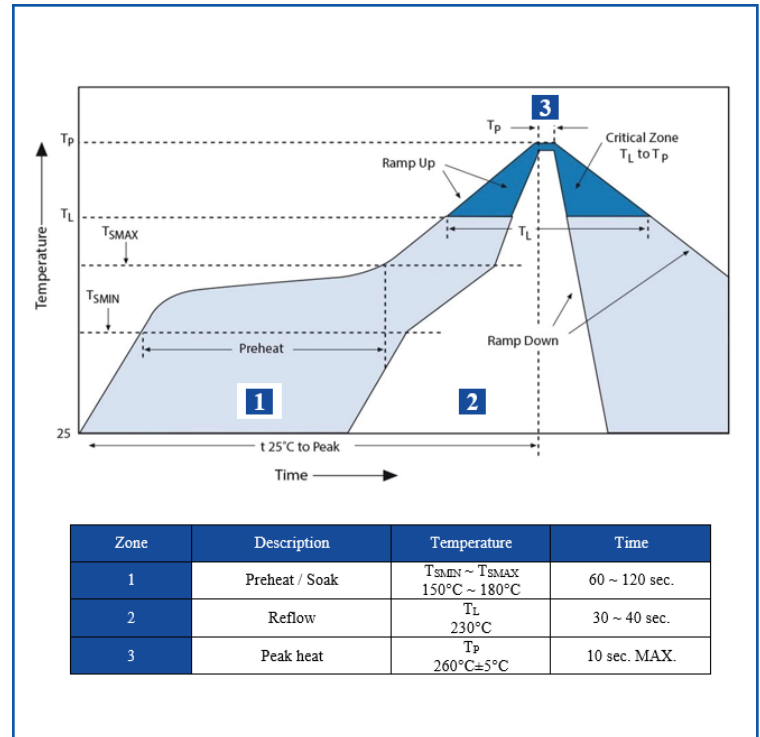
OUTLINE DRAWING:



TAPE & REEL:



REFLOW PROFILE



Need a test socket for the ABM3 Series? To view compatible **PRECISION TEST & BURN-IN SOCKETS** for these parts, [click here](#). P/N: **AXS-5032-02-06**

ATTENTION: Abracon LLC's products are COTS – Commercial-Off-The-Shelf products; suitable for Commercial, Industrial and, where designated, Automotive Applications. Abracon's products are not specifically designed for Military, Aviation, Aerospace, Life-dependant Medical applications or any application requiring high reliability where component failure could result in loss of life and/or property. For applications requiring high reliability and/or presenting an extreme operating environment, written consent and authorization from Abracon LLC is required. Please contact Abracon LLC for more information.

Mouser Electronics

Authorized Distributor

Click to View Pricing, Inventory, Delivery & Lifecycle Information:

ABRACON:

[ABM3-24.000MHZ-B2-T](#) [ABM3-24.576MHZ-B2-T](#) [ABM3-27.000MHZ-B2-T](#) [ABM3-33.000MHZ-B2-T](#) [ABM3-30.000MHZ-B2-T](#) [ABM3-20.000MHZ-B2-T](#) [ABM3-40.000MHZ-B2-T](#) [ABM3-29.4912MHZ-B2-T](#) [ABM3-16.000MHZ-B2-T](#) [ABM3-25.000MHZ-B2-T](#) [ABM3-13.560MHZ-B2-T](#) [ABM3-28.6363MHZ-B2-T](#) [ABM3-18.432MHZ-B2-T](#) [ABM3-14.31818MHZ-B2-T](#) [ABM3-12.000MHZ-B2-T](#) [ABM3-48.000MHZ-B2-T](#) [ABM3-8.000MHZ-D2Y-T](#) [ABM3-10.0000MHZ-D2Y-T](#) [ABM3-11.0592MHZ-D2Y-T](#) [ABM3-11.2896MHZ-D2Y-T](#) [ABM3-12.000MHZ-D2Y-T](#) [ABM3-12.288MHZ-D2Y-T](#) [ABM3-14.31818MHZ-D2Y-T](#) [ABM3-14.7456MHZ-D2Y-T](#) [ABM3-16.000MHZ-D2Y-T](#) [ABM3-18.432MHZ-D2Y-T](#) [ABM3-19.6608MHZ-D2Y-T](#) [ABM3-20.000MHZ-D2Y-T](#) [ABM3-22.1184MHZ-D2Y-T](#) [ABM3-24.000MHZ-D2Y-T](#) [ABM3-24.576MHZ-D2Y-T](#) [ABM3-25.000MHZ-D2Y-T](#) [ABM3-27.000MHZ-D2Y-T](#) [ABM3-30.000MHZ-D2Y-T](#) [ABM3-32.000MHZ-D2Y-T](#) [ABM3-33.000MHZ-D2Y-T](#) [ABM3-40.000MHZ-D2Y-F-T](#) [ABM3-48.000MHZ-D2Y-F-T](#) [ABM3-50.000MHZ-D2Y-F-T](#) [ABM3-9.8304MHZ-D2Y-T](#) [ABM3-48000MHZ-B4Y-T](#) [ABM3-36000MHZ-B4Y-T](#) [ABM3-110592MHZ-B4Y-T](#) [ABM3-196608MHZ-B4Y-T](#) [ABM3-13000MHZ-B4Y-T](#) [ABM3-30000MHZ-B4Y-T](#) [ABM3-12288MHZ-B4Y-T](#) [ABM3-13560MHZ-B4Y-T](#) [ABM3-16384MHZ-B4Y-T](#) [ABM3-32000MHZ-B4Y-T](#) [ABM3-24000MHZ-B4Y-T](#) [ABM3-18432MHZ-B4Y-T](#) [ABM3-26000MHZ-B4Y-T](#) [ABM3-25000MHZ-B4Y-T](#) [ABM3-8000MHZ-B4Y-T](#) [ABM3-15000MHZ-B4Y-T](#) [ABM3-20000MHZ-B4Y-T](#) [ABM3-12000MHZ-B4Y-T](#) [ABM3-33000MHZ-B4Y-T](#) [ABM3-27000MHZ-B4Y-T](#) [ABM3-98304MHZ-B4Y-T](#) [ABM3-147456MHZ-B4Y-T](#) [ABM3-294912MHZ-B4Y-T](#) [ABM3-40000MHZ-B4Y-T](#) [ABM3-16000MHZ-B4Y-T](#) [ABM3-221184MHZ-B4Y-T](#) [ABM3-24576MHZ-B4Y-T](#) [ABM3-10000MHZ-B4Y-T](#) [ABM3-1431818MHZ-B4Y-T](#) [ABM3-8192MHZ-B4Y-T](#) [ABM3-22.1184MHZ-B4Y-T](#) [ABM3-8.000MHZ-B4Y-T](#) [ABM3-16.384MHZ-B4Y-T](#) [ABM3-27.000MHZ-B4Y-T](#) [ABM3-10.000MHZ-B4Y-T](#) [ABM3-19.6608MHZ-B4Y-T](#) [ABM3-33.000MHZ-B4Y-T](#) [ABM3-24.000MHZ-B4Y-T](#) [ABM3-12.288MHZ-B4Y-T](#) [ABM3-29.4912MHZ-B4Y-T](#) [ABM3-20.000MHZ-B4Y-T](#) [ABM3-30.000MHZ-B4Y-T](#) [ABM3-26.000MHZ-B4Y-T](#) [ABM3-16.000MHZ-B4Y-T](#) [ABM3-13.000MHZ-B4Y-T](#) [ABM3-8.192MHZ-B4Y-T](#) [ABM3-32.000MHZ-B4Y-T](#) [ABM3-9.8304MHZ-B4Y-T](#) [ABM3-48.000MHZ-B4Y-T](#) [ABM3-11.0592MHZ-B4Y-T](#) [ABM3-15.000MHZ-B4Y-T](#) [ABM3-40.000MHZ-B4Y-T](#) [ABM3-24.576MHZ-B4Y-T](#) [ABM3-25.000MHZ-B4Y-T](#) [ABM3-12.000MHZ-B4Y-T](#) [ABM3-18.432MHZ-B4Y-T](#) [ABM3-14.31818MHZ-B4Y-T](#) [ABM3-13.560MHZ-B4Y-T](#) [ABM3-14.7456MHZ-B4Y-T](#) [ABM3-36.000MHZ-B4Y-T](#)