

SMD SHIELDED POWER INDUCTOR

ASPI - 0602S

 RoHS / RoHS II Compliant



6.7 x 6.7 x 3.0mm

FEATURES:

- Compact size: 6.7 x 6.7 x 3.0mm
- Magnetically shielded, surface mount inductor
- Large DC current & low DC resistance

APPLICATIONS:

- Excellent for power line DC-DC
- Conversion applications used in hard disk notebook computers and other electronic equipment .

ELECTRICAL SPECIFICATIONS:

Operating Temperature: -40°C to +125°C (including self-generated heat)

Storage Temperature: -40°C to +125°C

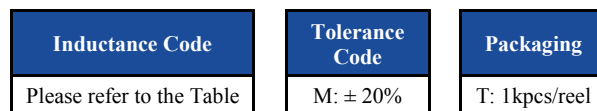
Part Number ASPI-0602S- Inductance Code	Inductance (μ H)	Tolerance (%)	DC Resistance Max (Ω)	IDC Max (A)
ASPI-0602S-3R0	3.0	M	0.024	3.00
ASPI-0602S-3R3	3.3	M	0.040	3.00
ASPI-0602S-3R9	3.9	M	0.027	2.60
ASPI-0602S-5R0	5.0	M	0.031	2.40
ASPI-0602S-6R0	6.0	M	0.035	2.25
ASPI-0602S-7R3	7.3	M	0.054	2.10
ASPI-0602S-8R6	8.6	M	0.058	1.85
ASPI-0602S-100	10	M	0.065	1.70
ASPI-0602S-120	12	M	0.070	1.55
ASPI-0602S-150	15	M	0.084	1.40
ASPI-0602S-180	18	M	0.095	1.32
ASPI-0602S-220	22	M	0.128	1.20
ASPI-0602S-270	27	M	0.142	1.05
ASPI-0602S-330	33	M	0.165	0.97
ASPI-0602S-390	39	M	0.210	0.86
ASPI-0602S-470	47	M	0.238	0.80
ASPI-0602S-560	56	M	0.277	0.73
ASPI-0602S-680	68	M	0.304	0.65
ASPI-0602S-820	82	M	0.390	0.60
ASPI-0602S-101	100	M	0.535	0.54

Test Conditions

1. Inductance: 10kHz, 0.25V
2. IDC: Inductance decreases to 65% of initial value or temperature of coil increased by 30°C

OPTIONS AND PART IDENTIFICATION:

ASPI-0602S - -



SMD SHIELDED POWER INDUCTOR



6.7 x 6.7 x 3.0mm

ASPI - 0602S

RoHS / RoHS II Compliant

OUTLINE DIMENSION:

A	B	C	D	E	F
6.7±0.3	6.7±0.3	3.0 max.	2.65	2.00	7.30

Dimension: mm

REFLOW PROFILE:

Zone	Description	Temperature	Time
1	Preheat / Soak	T_{SMAX} 120°C ~ 180°C	50 ~ 150 sec.
2	Reflow	T_L 217°C	90 sec.
3	Peak heat	T_P 255°C ~ 260°C	10 ~ 30 sec. MAX

SMD SHIELDED POWER INDUCTOR

ASPI - 0602S

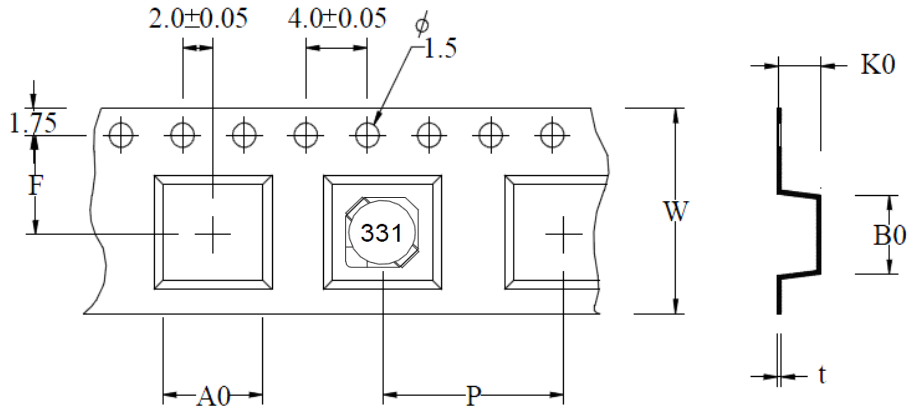
 RoHS / RoHS II Compliant



6.7 x 6.7 x 3.0mm

TAPE & REEL:

T= tape and reel (1,000pcs/reel)



A0	B0	K0	P	F	W	t	A	B	C	D
7.0±0.1	7.0±0.1	3.3±0.1	12±0.1	7.5±0.1	16±0.3	0.35±0.05	16.5±0.2	100±0.5	13.2±0.3	330±1.0

Dimension: mm

ATTENTION: Abracon LLC's products are COTS – Commercial-Off-The-Shelf products; suitable for Commercial, Industrial and, where designated, Automotive Applications. Abracon's products are not specifically designed for Military, Aviation, Aerospace, Life-dependent Medical applications or any application requiring high reliability where component failure could result in loss of life and/or property. For applications requiring high reliability and/or presenting an extreme operating environment, written consent and authorization from Abracon LLC is required. Please contact Abracon LLC for more information.

Mouser Electronics

Authorized Distributor

Click to View Pricing, Inventory, Delivery & Lifecycle Information:

ABRACON:

[ASPI-0602S-100M-T](#) [ASPI-0602S-101M-T](#) [ASPI-0602S-120M-T](#) [ASPI-0602S-150M-T](#) [ASPI-0602S-180M-T](#) [ASPI-0602S-220M-T](#) [ASPI-0602S-270M-T](#) [ASPI-0602S-330M-T](#) [ASPI-0602S-390M-T](#) [ASPI-0602S-3R0M-T](#) [ASPI-0602S-3R3M-T](#) [ASPI-0602S-3R9M-T](#) [ASPI-0602S-470M-T](#) [ASPI-0602S-560M-T](#) [ASPI-0602S-5R0M-T](#) [ASPI-0602S-680M-T](#) [ASPI-0602S-6R0M-T](#) [ASPI-0602S-7R3M-T](#) [ASPI-0602S-820M-T](#) [ASPI-0602S-8R6M-T](#)