

# Molding Type Power Inductor

ASPI-1040HI



RoHS  
Compliant



11.5 x 10.0 x 4.0 mm

## FEATURES:

- High saturation current.
- Low loss due to low DC resistance.
- Frequency application up to 3MHz.
- Low profile with max thickness 4.0mm.
- 100% lead free and metted RoHS standard.
- Suitable for reflow soldering.
- High reliable SMD package

## APPLICATIONS:

- DC/DC converters in Notebook, Netbook, desktop and server
- Low profile, high current power supplies.

## STANDARD SPECIFICATIONS

Abrakon P/N:	ASPI-1040HI Series
Operating Temperature & Humidity:	-55°C to +125°C (Including self generated heat)
Storage Temperature & Humidity:	<35°C, 35% to 65% RH

Part Number	Inductance	Tolerance	DCR Max	Saturation Current	Temperature Rise Current
Units	μH	%	mΩ	A	A
Symbol	L	M		Isat	Irms
ASPI-1040HI-R22	0.22	M	1.0	60	35
ASPI-1040HI-R30	0.3	M	1.1	45	35
ASPI-1040HI-R36	0.36	M	1.2	45	30
ASPI-1040HI-R47	0.47	M	1.7	40	30
ASPI-1040HI-R56	0.56	M	1.8	33	25
ASPI-1040HI-R68	0.68	M	2.4	30	23
ASPI-1040HI-R80	0.8	M	2.7	29	23
ASPI-1040HI-1R0	1	M	3.3	28	19
ASPI-1040HI-1R5	1.5	M	4.2	24	16
ASPI-1040HI-2R2	2.2	M	7.0	16.5	12
ASPI-1040HI-3R3	3.3	M	11.8	16	11
ASPI-1040HI-4R7	4.7	M	20	13	9
ASPI-1040HI-6R8	6.8	M	25	12	8.5
ASPI-1040HI-8R2	8.2	M	27	9	8
ASPI-1040HI-100	10	M	30	8.5	7.8
ASPI-1040HI-150	15	M	45	7	6.5
ASPI-1040HI-220	22	M	66	5.5	5
ASPI-1040HI-330	33	M	92	5	4.4
ASPI-1040HI-470	47	M	145	3.5	3.3
ASPI-1040HI-680	68	M	195	3	2.5

## Test Conditions

100KHz, 1V

Isat: Based on inductance change ( $\Delta L/L_o : \leq -30\%$ )

Irms: Based on temperature rise ( $\Delta T : 40^\circ\text{C TYP.}$ )

Max Voltage: 30VDC



5101 Hidden Creek Lane Spicewood TX 78669

Phone: 512-371-6159 | Fax: 512-351-8858

For terms and conditions of sale please visit:

[www.abracon.com](http://www.abracon.com)

REVISED: 11/01/2019

ABRACON IS  
ISO9001-2015  
CERTIFIED

# Molding Type Power Inductor

ASPI-1040HI



RoHS  
Compliant



11.5 x 10.0 x 4.0 mm

## PART NUMBER IDENTIFICATION

ASPI-1040HI-   -

### Inductance Code

Please refer to the  
Electrical Spec Table

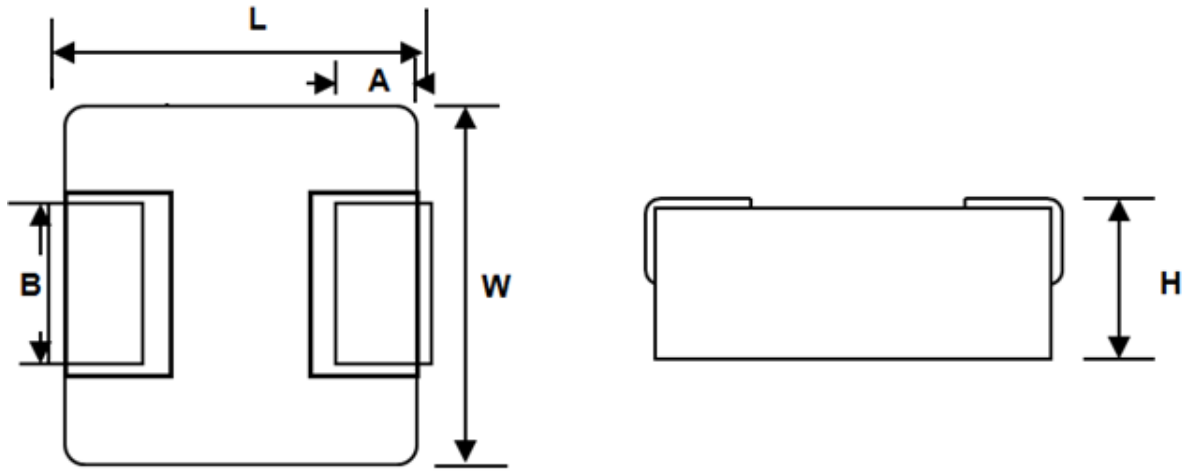
### Tolerance

M:  $\pm 20\%$

### Packaging

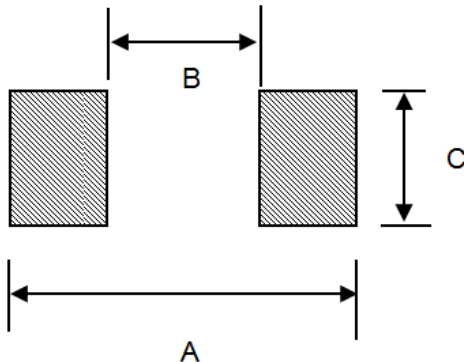
T05: Tape and Reel (500pcs /  
reel)

## OUTLINE DRAWING:



A	B	L	W	H
2.0 ± 0.5	3.0 ± 0.5	11.5 max	10 ± 0.3	4 max

### Recommended Land Pattern



A	B	C
13.6	5.4	4.1

Dimension: mm

# Molding Type Power Inductor

ASPI-1040HI

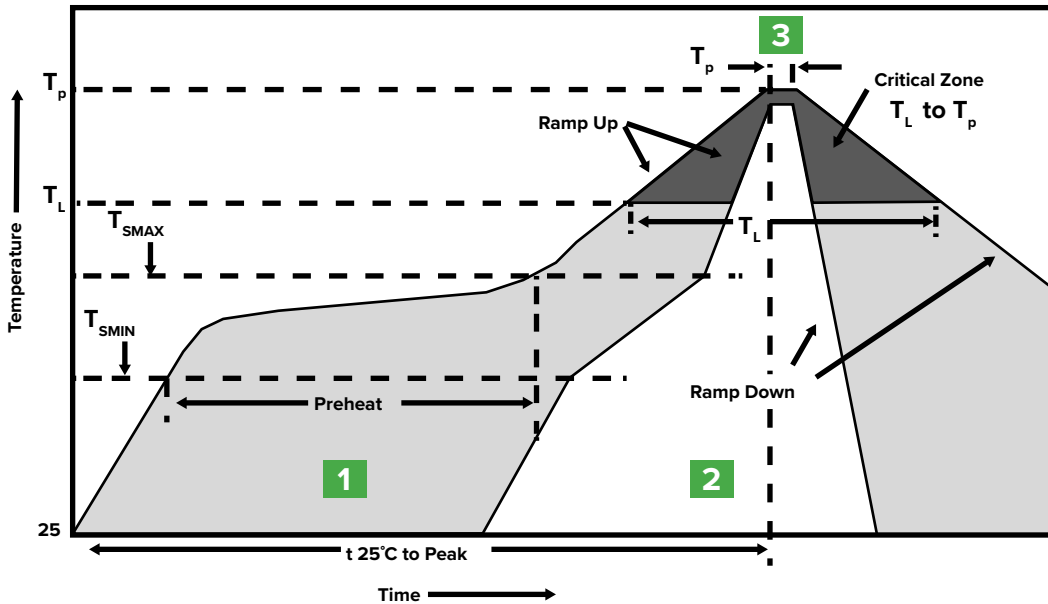


RoHS  
Compliant



11.5 x 10.0 x 4.0 mm

## REFLOW PROFILE



Zone	Description	Temperature	Time
1	Preheat	$T_{SMIN} \sim T_{SMAX}$ 150°C ~ 180°C	60 ~ 120 sec.
2	Reflow	$T_L$ 230°C	40 sec.
3	Peak heat	$T_p$ 250°C±5°C	10 sec. MAX

# Molding Type Power Inductor

ASPI-1040HI



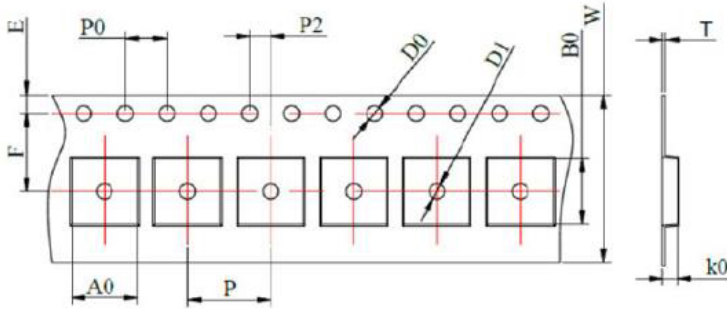
RoHS  
Compliant



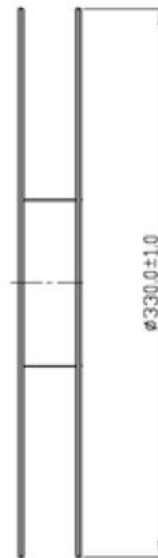
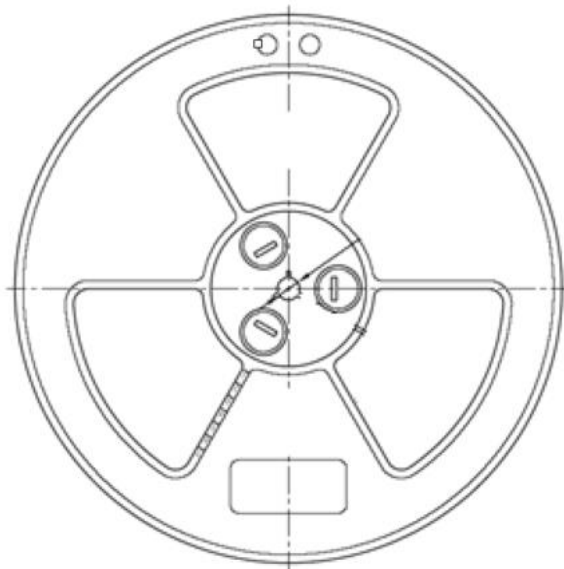
11.5 x 10.0 x 4.0 mm

## TAPE & REEL:

**T05:** 500 pcs/reel  
**Carton:** 4000 pcs/carton



<b>W</b>	<b>24 ± 0.3</b>
<b>P</b>	<b>16 ± 0.1</b>
<b>P0</b>	<b>4 ± 0.1</b>
<b>P2</b>	<b>2 ± 0.05</b>
<b>D0</b>	<b>1.5 ± 0.1</b>
<b>D1</b>	<b>1.5 ± 0.1</b>
<b>T</b>	<b>0.35 ± 0.05</b>
<b>A0</b>	<b>10.4 ± 0.1</b>
<b>B0</b>	<b>11.5 ± 0.1</b>
<b>K0</b>	<b>4.3 ± 0.1</b>
<b>E</b>	<b>1.75 ± 0.1</b>
<b>F</b>	<b>11.5 ± 0.1</b>



Dimension: mm

**ATTENTION:** Abracon LLC's products are COTS – Commercial-Off-The-Shelf products; suitable for Commercial, Industrial and, where designated, Automotive Applications. Abracon's products are not specifically designed for Military, Aviation, Aerospace, Life-dependant Medical applications or any application requiring high reliability where component failure could result in loss of life and/or property. For applications requiring high reliability and/or presenting an extreme operating environment, written consent and authorization from Abracon LLC is required. Please contact Abracon LLC for more information.



5101 Hidden Creek Lane Spicewood TX 78669  
Phone: 512-371-6159 | Fax: 512-351-8858  
For terms and conditions of sale please visit:  
[www.abracon.com](http://www.abracon.com)

REVISED: 11/01/2019

ABRACON IS  
ISO9001-2015  
CERTIFIED

# Mouser Electronics

Authorized Distributor

Click to View Pricing, Inventory, Delivery & Lifecycle Information:

## ABRACON:

[ASPI-1040HI-100M-T05](#) [ASPI-1040HI-1R0M-T05](#) [ASPI-1040HI-4R7M-T05](#) [ASPI-1040HI-R16M-T05](#) [ASPI-1040HI-R22M-T05](#) [ASPI-1040HI-R47M-T05](#)